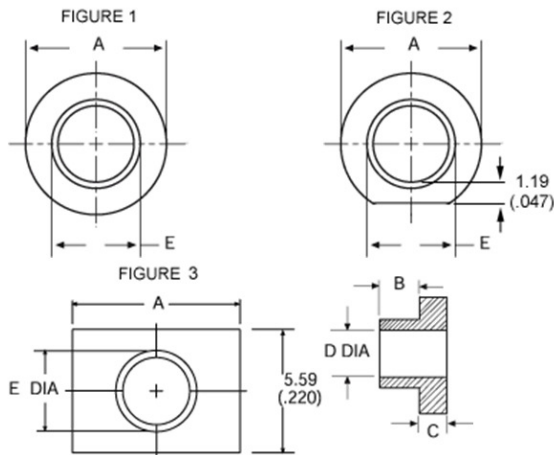




Shoulder Washers

RoHS Compliant

- 40% glass filled polyphenylene sulfide (PPS).
- Chemically inert [no known solvents under 200°C (392°F)]
- Maximum recommended service temperature of 260°C (500°F)
- Recommended torque is 0.565Nm to 0.678Nm (5 to 6 inch-pounds) on all shoulder washers except -7, which has recommended torque of 0.452Nm (4 inch-pounds).



Polyphenylene Sulfide PPS Shoulder Washers

Note: A single gate extension, not to exceed 0.64mm (0.025") in length, is allowable on the outside of all shoulder washers.

| Model | RoHS | PCN | A | B | C | D | E | Screw Size | Fig. |
|-------------|-------------------|-----|-----------------|-----------------|-----------------|-----------------|-----------------|------------|------|
| 7721-1PPSG | RoHS Compliant | | 7.11 (0.280) | 3.18 (0.125) | 1.07 (0.042) | 2.84 (0.112) | 3.81 (0.150) | 4 | 1 |
| 7721-3PPSG | RoHS Compliant | | 7.11 (0.280) | 3.18 (0.125) | 1.07 (0.042) | 2.84 (0.112) | 3.56 (0.140) | 4 | 1 |
| 7721-4PPS | RoHS Compliant | N/A | 7.92 (0.312) | .79 (0.081) | 1.19 (0.047) | 3.71 (0.146) | 4.83 (0.190) | 6 | 1 |
| 7721-5PPSG | RoHS Compliant | | 7.92 (0.312) | .79 (0.031) | 1.19 (0.047) | 3.66 (0.144) | 4.50 (0.177) | 6 | 1 |
| 7721-6PPSG | RoHS Compliant | | 7.11 (0.280) | .79 (0.031) | 1.19 (0.047) | 3.00 (0.118) | 3.68 (0.145) | 4 | 1 |
| 7721-7PPSG* | RoHS Compliant | | 5.46 (0.215) | .81 (0.032) | 1.02 (0.040) | 2.95 (0.116) | 3.43 (0.139) | 4 | 1 |
| 7721-8PPSG | RoHS Compliant | | 6.22 (0.245) | 1.02 (0.040) | 1.02 (0.040) | 3.02 (0.119) | 3.56 (0.140) | 4 | 2 |
| 7721-9PPSG | RoHS Compliant | N/A | 7.62 (0.300) | 1.22 (0.048) | 1.40 (0.055) | 2.97 (0.117) | 3.56 (0.140) | 4** | 3 |
| 7721-10PPSG | RoHS Compliant | | 7.62 (0.300) | 2.41 (0.095) | 1.40 (0.055) | 2.97 (0.117) | 3.56 (0.140) | 4** | 3 |

* Design allows insertion in the tab of a TO-220.

** Also for M3 Screw