

MIPI CSI-2 | USB3.1. GEN1

Alvium Cameras Hardware Options

V3.1.4

This document at a glance

Alvium cameras are offered as CSI-2 and USB models with various sensors. Moreover, multiple hardware options provide the best match for your application needs. Select between bare board or housed cameras, including the lens mount of your choice. For USB cameras, decide upon the angle for the USB connector.



Hardware options availability

This document includes hardware options already available, but it also gives a preview of coming options. For tables with camera variants and product codes, see: [Product codes for Alvium CSI-2 cameras](#) on page 17 or [Product codes for Alvium USB cameras](#) on page 39.

What else do you need?



Technical information and ordering

For all information about Alvium cameras and accessories, see

- for MIPI CSI-2 cameras: www.alliedvision.com/en/support/technical-documentation/alvium-csi-2-documentation.
- for USB3 Vision cameras: www.alliedvision.com/en/support/technical-documentation/alvium-usb-documentation.
- Please contact your Allied Vision Sales representative for ordering and for additional information on hardware options for Alvium cameras.
- To find contact information, visit our website: www.alliedvision.com/en/contact.

Contact us

Website

General

www.alliedvision.com/contact

Distribution partners

www.alliedvision.com/en/about-us/where-we-are

Email

General

info@alliedvision.com

Support

support@alliedvision.com

Sales offices

Europe, Middle East, and Africa

T// +49 36428 677-230

North and South America

Toll-free: +1 877 USA 1394

T// +1 978 225 2030

California: +1 408 721 1965

Asia-Pacific

T// +65 6634 9027

China

T// +86 21 64861133

Headquarters

Allied Vision Technologies GmbH

Taschenweg 2a

07646 Stadtroda, Germany

T// +49 36428 677-0

F// +49 36428 677-28

Contents

This document at a glance	2
What else do you need?	2
Contact us	3
Document history and conventions	7
Document history	8
Conventions used in this hardware guide	9
Typographic styles	9
Symbols and notes	9
Acronyms	9
Copyright and trademarks	9
Hardware options for CSI-2 cameras	10
Hardware options overview	11
Housing options	11
Lens mount options	11
Select your option	12
CSI-2 Bare Board	12
Total dimensions and mass	13
Regulations	13
CSI-2 Open Housing S-Mount	14
Dimensions and mass	14
Regulations	14
CSI-2 Open Housing CS-Mount	15
Dimensions and mass	15
Regulations	15
CSI-2 Open Housing C-Mount	16
Dimensions and mass	16
Regulations	16
Product codes for Alvium CSI-2 cameras	17
Hardware options for USB cameras	20
Hardware options overview	21
Housing options	21
Lens mount options	21
USB connector position	21
Select your option	22
USB Bare Board	23
Dimensions and mass	24
Regulations	24
USB Bare Board 90°	25

Dimensions and mass	26
Regulations	26
USB Open Housing S-Mount	27
Dimensions and mass	27
Regulations	27
USB Open Housing CS-Mount	28
Dimensions and mass	28
Regulations	28
USB Open Housing C-Mount	29
Dimensions and mass	29
Regulations	29
USB Open Housing S-Mount 90°	30
Dimensions and mass	30
Regulations	30
USB Open Housing CS-Mount 90°	31
Dimensions and mass	31
Regulations	31
USB Open Housing C-Mount 90°	32
Dimensions and mass	32
Regulations	32
USB Closed Housing S-Mount	33
Dimensions and mass	33
Regulations	33
USB Closed Housing CS-Mount	34
Dimensions and mass	34
Regulations	34
USB Closed Housing C-Mount	35
Dimensions and mass	35
Regulations	35
USB Closed Housing S-Mount 90°	36
Dimensions and mass	36
Regulations	36
USB Closed Housing CS-Mount 90°	37
Dimensions and mass	37
Regulations	37
USB Closed Housing C-Mount 90°	38
Dimensions and mass	38
Regulations	38
Product codes for Alvium USB cameras	39
Alvium 1800 U-040m/c	39
Alvium 1800 U-050m/c	40
Alvium 1800 U-120m/c	41
Alvium 1800 U-158m/c	42
Alvium 1800 U-319m/c	43
Alvium 1800 U-500m/c	44
Alvium 1800 U-501m NIR	45
Alvium 1800 U-507m/c	46
Alvium 1800 U-1236m/c	47

Alvium 1800 U-2050m/c	48
-----------------------------	----

Document history and conventions



This chapter includes:

Document history	8
Conventions used in this hardware guide	9

Document history

Version	Date	Remarks
V3.1.4	2020-Mar-10	Removed CS-Mount options for large-sensor cameras.
V3.1.3	2020-Mar-04	Updated product codes.
V3.1.2	2020-Feb-26	Updated product codes.
V3.1.1	2020-Feb-25	Applied minor changes.
V3.1.0	2020-Feb-19	<ul style="list-style-type: none"> Added Alvium 1800 C-319m/c, 1800 C-507m/c, 1800 C-1236m/c, and 1500 C-2050m/c models. Added Alvium 1800 U-319m/c, 1800 U-507m/c, 1800 U-1236m/c, and 1500 U-2050m/c models.
V3.0.0	2020-Jan-06	<ul style="list-style-type: none"> Added Alvium 1800 C-040m/c, 1800 C-158m/c, and 1500 C-210m/c models. Added Alvium 1800 U-040m/c, 1800 U-158m/c, and 1800 U-501m NIR models.
V2.0.0	2019-Oct-18	<ul style="list-style-type: none"> Added Alvium 1800 U-050m/c and 1800 U-120m/c models. Updated drawings and dimension tables for bare board cameras. Partly renamed and restructured hardware options. Applied editorial changes.
V.1.0.0	2019-May-20	Release document

Table 1: Document history

Conventions used in this hardware guide

To give this document an easily understood layout and to emphasize important information, the following typographical styles and symbols are used:

Typographic styles

Style	Function
Emphasis	Programs, or highlighting important things
Web links and references	Links to webpages and internal cross references

Table 2: Typographic styles

Symbols and notes



Practical tip

Additional information helps to understand or ease handling.



Additional information

Web link or reference to an external source with more information is shown.

Acronyms

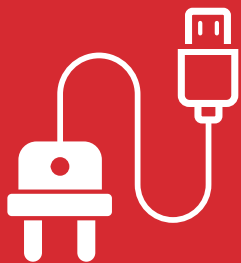
“N/A” in the tables for product codes translates to “not applicable”.

Copyright and trademarks

All text, pictures, and graphics are protected by copyright and other laws protecting intellectual property. All content is subject to change without notice. All trademarks, logos, and brands cited in this document are property or copyright material of their respective owners. Use of these trademarks, logos, and brands does not imply endorsement.

Copyright © 2020 Allied Vision Technologies GmbH. All rights reserved.

Hardware options for CSI-2 cameras



Hardware options offered for Alvium cameras:

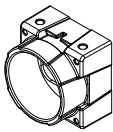
Hardware options overview	11
Select your option	12
Product codes for Alvium CSI-2 cameras	17

Hardware options overview

Housing options

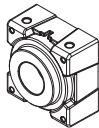


Bare Board: enables maximum design flexibility.

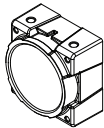


Open Housing: provides a metal housing including a lens mount. For EMC compliance, to be designed into EMC housings.

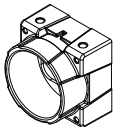
Lens mount options



S-Mount (M12-Mount): enables small size, available at reasonable prices.



CS-Mount: combines the use of accurate and sensitive lenses like for C-Mount, but with a shorter lens mount.



C-Mount: enables to pick from a large variety of lenses for high quality imaging.

Select your option

CSI-2 Bare Board

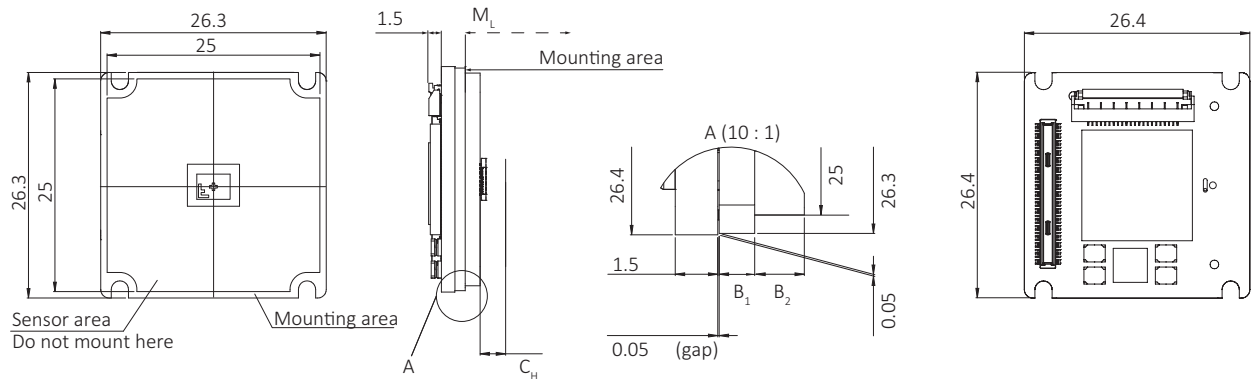


Figure 1: CSI-2 Bare Board; dimensions

Dimensions that are common between different models are displayed in Figure 1, model specific dimensions are listed in Table 3. **Mechanical length** (M_L) defines the mechanical distance from the mounting area to the lens mount front flange. **Electronics thickness** (E_T) relates to the electronic components with maximum thickness..

Camera model	M_L Mechanical length for C-Mount	C_H Components height, incl. the sensor	B_1 Board thickness	B_2 Board thickness
Alvium 1800 C-040m/c	~19.8 mm	2.2 mm	1.0 mm	1.3 mm
Alvium 1500 C-050m/c	~19.5 mm	1.4 mm	1.25 mm	1.75 mm
Alvium 1500 C-120m/c	~19.6 mm	1.3 mm	1.15 mm	1.15 mm
Alvium 1800 C-158m/c	~19.8 mm	2.2 mm	1.0 mm	1.3 mm
Alvium 1500 C-210m/c	~19.8 mm	1.6 mm	1.2 mm	1.2 mm
Alvium 1800 C-319m/c	~19.9 mm	2.2 mm	1.0 mm	1.3 mm
Alvium 1500 C-500m/c	~19.8 mm	1.6 mm	1.2 mm	1.2 mm
Alvium 1800 C-507m/c	~19.8 mm	2.2 mm	1.0 mm	1.3 mm
Alvium 1800 C-1236m/c	~19.7 mm	2.2 mm	1.0 mm	1.3 mm
Alvium 1800 C-2050m/c	~18.6 mm	2.8 mm	1.15 mm	1.05 mm

Table 3: Bare Board; model specific dimensions, nominal values



Mechanical length for S-Mount and CS-Mount

Mechanical length for other mounts is:

- CS-Mount: [C-Mount value] – 5 mm
- S-Mount: depending on your design.

Total dimensions and mass

Camera model	Dimensions (L × W × H [mm])	Mass
All models	7 × 26 × 26	10 g

Table 4: CSI-2 Bare Board; total dimensions and mass

Regulations

Directive 2011/65/EU, incl. amendment 2015/863/EU (RoHS)

CSI-2 Open Housing S-Mount

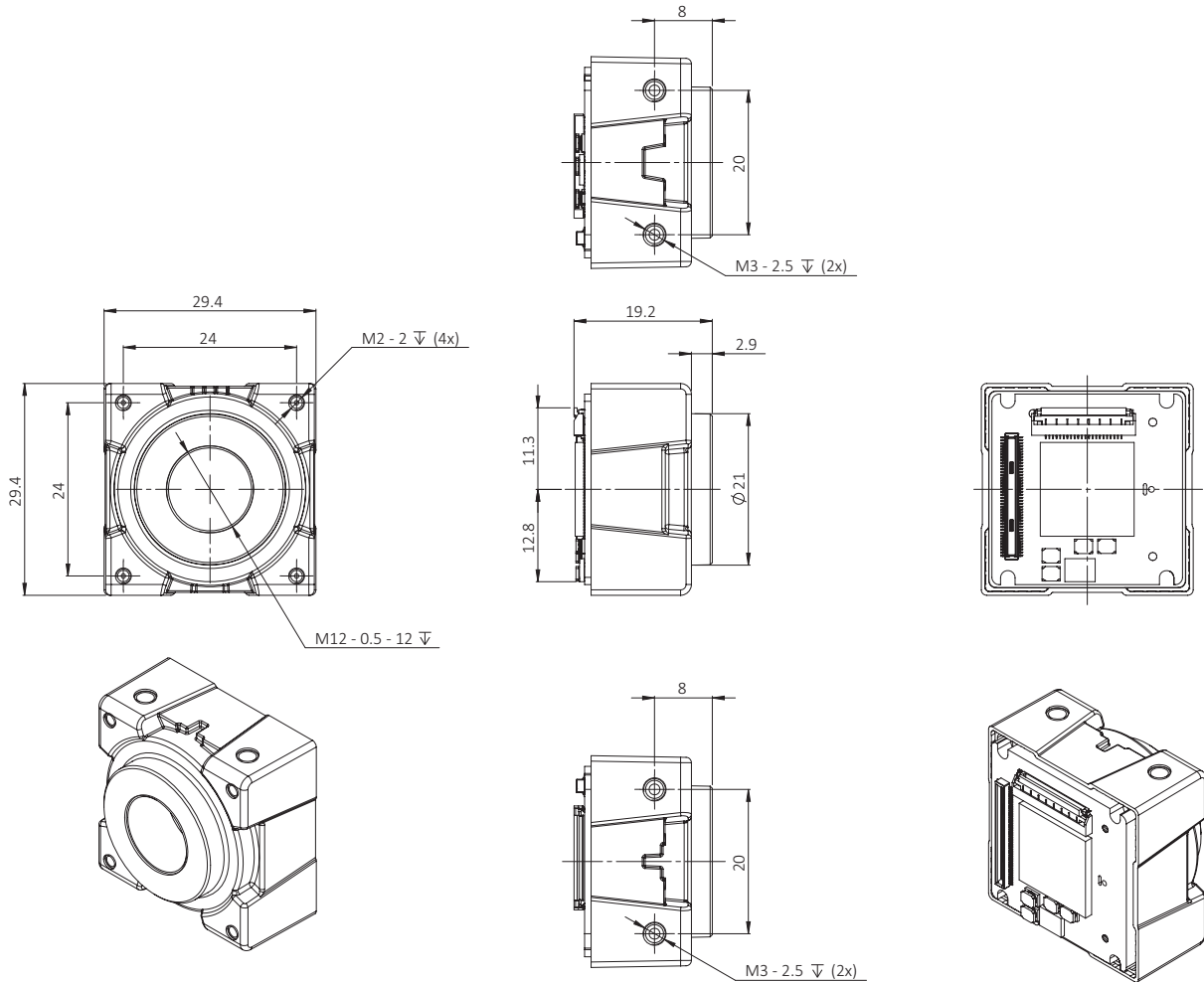


Figure 2: Dimensions for Alvium CSI-2 Open Housing S-Mount

Dimensions and mass

Feature	Specification
Dimensions (L × W × H [mm])	20 × 29 × 29
Mass	40 g

Table 5: Dimensions and mass for Alvium CSI-2 Open Housing S-Mount

Regulations

Directive 2011/65/EU, incl. amendment 2015/863/EU (RoHS)

CSI-2 Open Housing CS-Mount

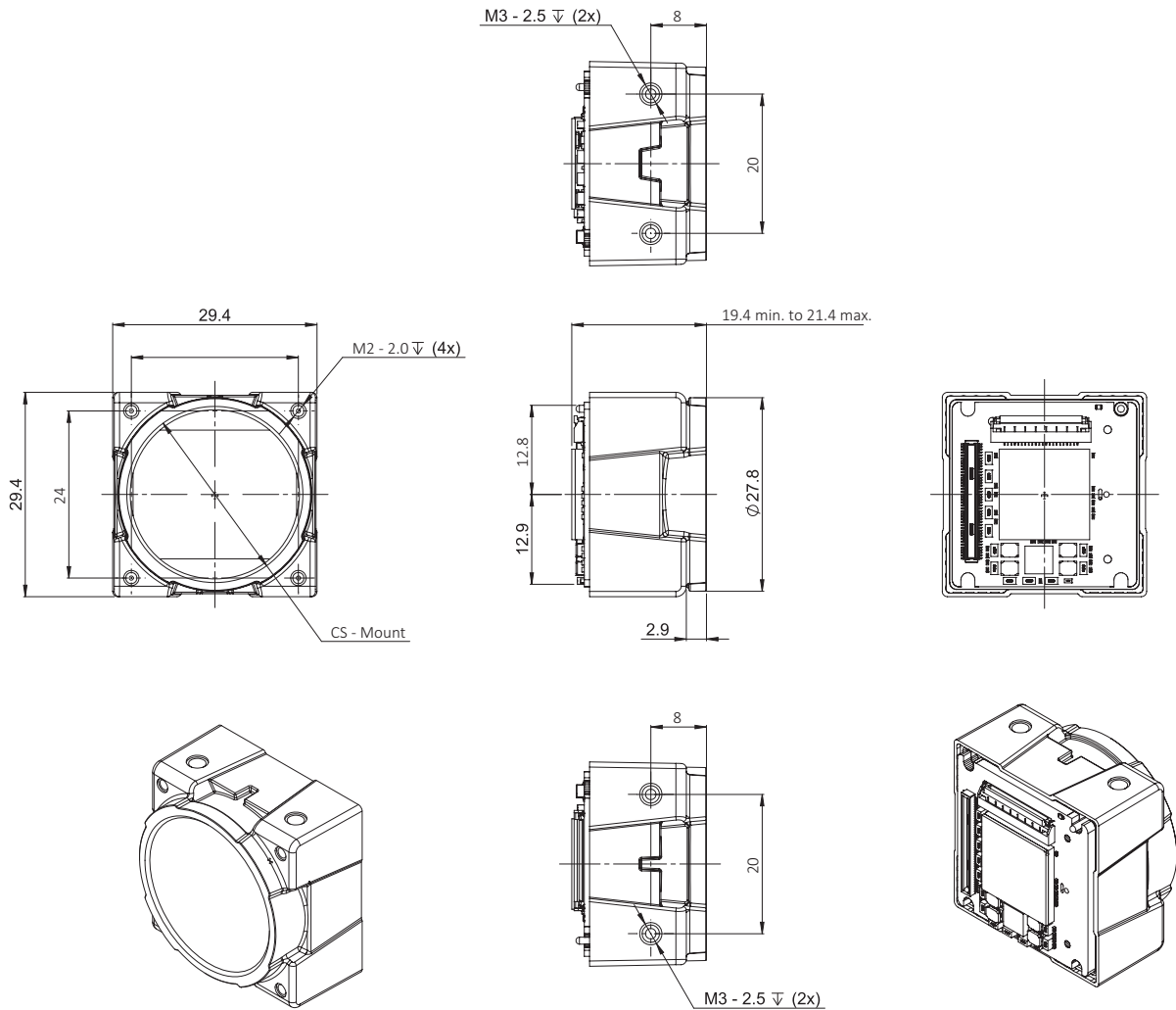


Figure 3: Dimensions for Alvium CSI-2 Open Housing CS-Mount

Dimensions and mass

Feature	Specification
Dimensions (L × W × H [mm])	21 × 29 × 29
Mass	35 g

Table 6: Dimensions and mass for Alvium CSI-2 Open Housing CS-Mount

Regulations

Directive 2011/65/EU, incl. amendment 2015/863/EU (RoHS)

CSI-2 Open Housing C-Mount

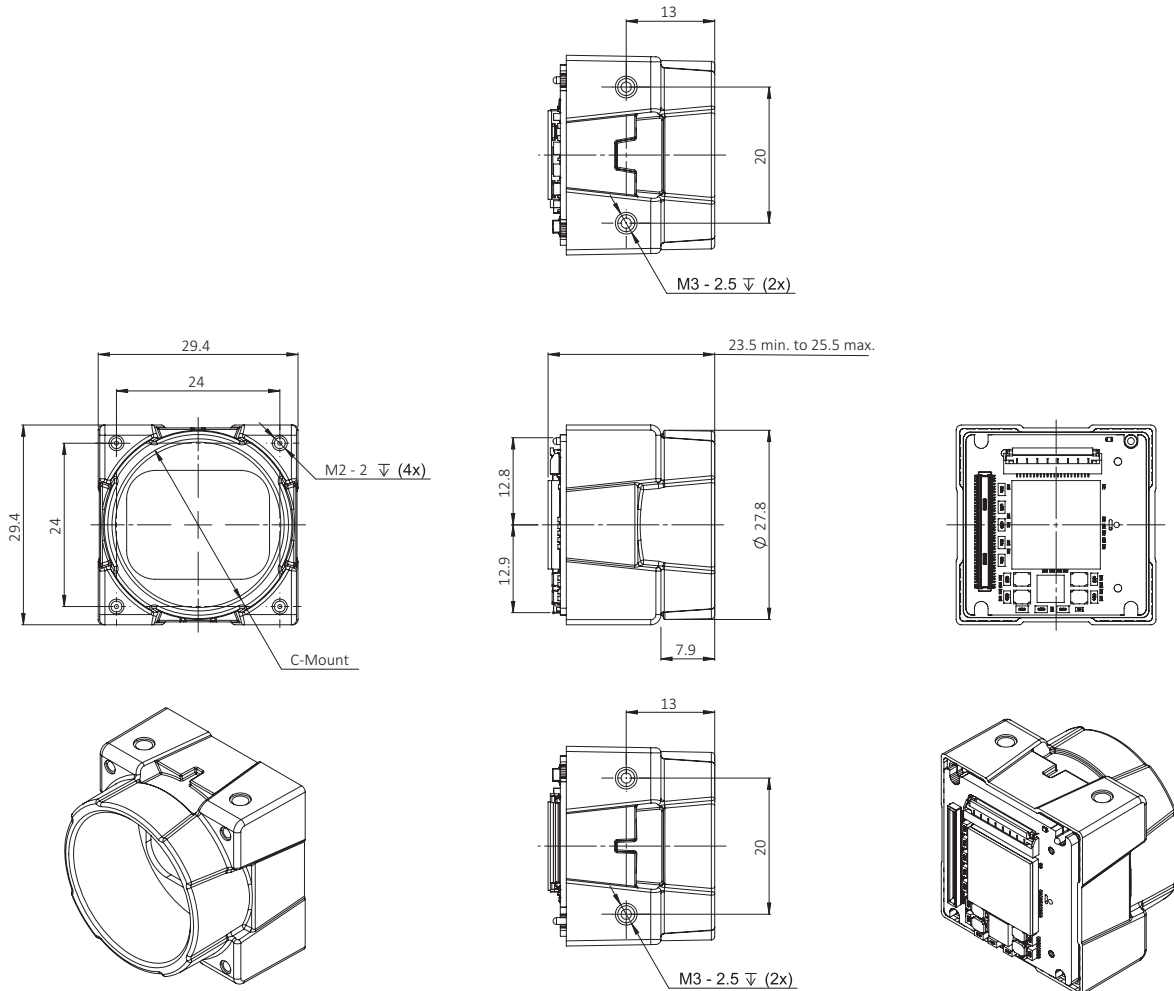


Figure 4: Dimensions for Alvium CSI-2 Open Housing C-Mount

Dimensions and mass

Feature	Specification
Dimensions (L × W × H [mm])	26 × 29 × 29
Mass	40 g

Table 7: Dimensions and mass for Alvium CSI-2 Open Housing C-Mount

Regulations

Directive 2011/65/EU, incl. amendment 2015/863/EU (RoHS)

Product codes for Alvium CSI-2 cameras

Find your camera's product code from the following list of hardware options:

Family	Model	Sensor	Mono/ color	Housing	Lens mount	Product code
1800 C	040m	Sony IMX287	Mono	Bare Board	N/A	14213
1800 C	040m	Sony IMX287	Mono	Open housing	S-Mount	14212
1800 C	040m	Sony IMX287	Mono	Open housing	CS-Mount	14211
1800 C	040m	Sony IMX287	Mono	Open housing	C-Mount	14210
1800 C	040c	Sony IMX287	Color	Bare Board	N/A	14217
1800 C	040c	Sony IMX287	Color	Open housing	S-Mount	14216
1800 C	040c	Sony IMX287	Color	Open housing	CS-Mount	14215
1800 C	040c	Sony IMX287	Color	Open housing	C-Mount	14214
1500 C	050m	ON Semiconductor PYTHON 480	Mono	Bare Board	N/A	11484
1500 C	050m	ON Semiconductor PYTHON 480	Mono	Open housing	S-Mount	11485
1500 C	050m	ON Semiconductor PYTHON 480	Mono	Open housing	CS-Mount	11486
1500 C	050m	ON Semiconductor PYTHON 480	Mono	Open housing	C-Mount	11487
1500 C	050c	ON Semiconductor PYTHON 480	Color	Bare Board	N/A	11488
1500 C	050c	ON Semiconductor PYTHON 480	Color	Open housing	S-Mount	11489
1500 C	050c	ON Semiconductor PYTHON 480	Color	Open housing	CS-Mount	11490
1500 C	050c	ON Semiconductor PYTHON 480	Color	Open housing	C-Mount	11491
1500 C	120m	ON Semiconductor AR0135CS	Mono	Bare Board	N/A	11492
1500 C	120m	ON Semiconductor AR0135CS	Mono	Open housing	S-Mount	11493
1500 C	120m	ON Semiconductor AR0135CS	Mono	Open housing	CS-Mount	11494
1500 C	120m	ON Semiconductor AR0135CS	Mono	Open housing	C-Mount	11495
1500 C	120c	ON Semiconductor AR0135CS	Color	Bare Board	N/A	11496
1500 C	120c	ON Semiconductor AR0135CS	Color	Open housing	S-Mount	11497
1500 C	120c	ON Semiconductor AR0135CS	Color	Open housing	CS-Mount	11498
1500 C	120c	ON Semiconductor AR0135CS	Color	Open housing	C-Mount	11499
1800 C	158m	Sony IMX273	Mono	Bare Board	N/A	14221
1800 C	158m	Sony IMX273	Mono	Open housing	S-Mount	14220
1800 C	158m	Sony IMX273	Mono	Open housing	CS-Mount	14219
1800 C	158m	Sony IMX273	Mono	Open housing	C-Mount	14218
1800 C	158c	Sony IMX273	Color	Bare Board	N/A	14225
1800 C	158c	Sony IMX273	Color	Open housing	S-Mount	14224
1800 C	158c	Sony IMX273	Color	Open housing	CS-Mount	14223
1800 C	158c	Sony IMX273	Color	Open housing	C-Mount	14222

Table 8: Product codes for Alvium CSI-2 cameras (sheet 1 of 3)

Family	Model	Sensor	Mono/ color	Housing	Lens mount	Product code
1500 C	210m	ON Semiconductor AR0521HD	Mono	Bare Board	N/A	14627
1500 C	210m	ON Semiconductor AR0521HD	Mono	Open housing	S-Mount	14628
1500 C	210m	ON Semiconductor AR0521HD	Mono	Open housing	CS-Mount	14629
1500 C	210m	ON Semiconductor AR0521HD	Mono	Open housing	C-Mount	14630
1500 C	210c	ON Semiconductor AR0521HD	Color	Bare Board	N/A	11500
1500 C	210c	ON Semiconductor AR0521HD	Color	Open housing	S-Mount	11501
1500 C	210c	ON Semiconductor AR0521HD	Color	Open housing	CS-Mount	11502
1500 C	210c	ON Semiconductor AR0521HD	Color	Open housing	C-Mount	11503
1800 C	319m	Sony IMX265	Mono	Bare Board	N/A	11938
1800 C	319m	Sony IMX265	Mono	Open housing	S-Mount	11939
1800 C	319m	Sony IMX265	Mono	Open housing	CS-Mount	11940
1800 C	319m	Sony IMX265	Mono	Open housing	C-Mount	11941
1800 C	319c	Sony IMX265	Color	Bare Board	N/A	11942
1800 C	319c	Sony IMX265	Color	Open housing	S-Mount	11943
1800 C	319c	Sony IMX265	Color	Open housing	CS-Mount	11944
1800 C	319c	Sony IMX265	Color	Open housing	C-Mount	11945
1500 C	500m	ON Semiconductor AR0521SR	Mono	Bare Board	N/A	12888
1500 C	500m	ON Semiconductor AR0521SR	Mono	Open housing	S-Mount	12889
1500 C	500m	ON Semiconductor AR0521SR	Mono	Open housing	CS-Mount	12890
1500 C	500m	ON Semiconductor AR0521SR	Mono	Open housing	C-Mount	12891
1500 C	500c	ON Semiconductor AR0521SR	Color	Bare Board	N/A	12892
1500 C	500c	ON Semiconductor AR0521SR	Color	Open housing	S-Mount	12893
1500 C	500c	ON Semiconductor AR0521SR	Color	Open housing	CS-Mount	12894
1500 C	500c	ON Semiconductor AR0521SR	Color	Open housing	C-Mount	12895
1800 C	507m	Sony IMX264	Mono	Bare Board	N/A	11946
1800	507m	Sony IMX264	Mono	Open housing	S-Mount	On request ¹
1800 C	507m	Sony IMX264	Mono	Open housing	CS-Mount	On request ¹
1800 C	507m	Sony IMX264	Mono	Open housing	C-Mount	11948
1800 C	507c	Sony IMX264	Color	Bare Board	N/A	11949
1800 C	507c	Sony IMX264	Color	Open housing	S-Mount	On request ¹
1800 C	507c	Sony IMX264	Color	Open housing	CS-Mount	On request ¹
1800 C	507c	Sony IMX264	Color	Open housing	C-Mount	11951

¹For this mount, typical lenses do not support high-quality imaging for the corresponding sensor. Therefore, we do not offer this option.

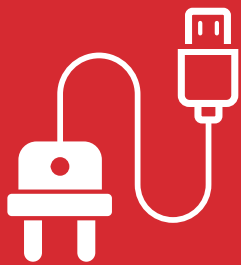
Table 8: Product codes for Alvim CSI-2 cameras (sheet 2 of 3)

Family	Model	Sensor	Mono/ color	Housing	Lens mount	Product code
1800 C	1236m	Sony IMX304	Mono	Bare Board	N/A	14688
1800 C	1236m	Sony IMX304	Mono	Open housing	S-Mount	On request ¹
1800 C	1236m	Sony IMX304	Mono	Open housing	CS-Mount	On request ¹
1800 C	1236m	Sony IMX304	Mono	Open housing	C-Mount	14691
1800 C	1236c	Sony IMX304	Color	Bare Board	N/A	14692
1800 C	1236c	Sony IMX304	Color	Open housing	S-Mount	On request ¹
1800 C	1236c	Sony IMX304	Color	Open housing	CS-Mount	On request ¹
1800 C	1236c	Sony IMX304	Color	Open housing	C-Mount	14695
1800 C	2050m	Sony IMX183	Mono	Bare Board	N/A	14880
1800 C	2050m	Sony IMX183	Mono	Open housing	S-Mount	On request ¹
1800 C	2050m	Sony IMX183	Mono	Open housing	CS-Mount	On request ¹
1800 C	2050m	Sony IMX183	Mono	Open housing	C-Mount	14881
1800 C	2050c	Sony IMX183	Color	Bare Board	N/A	14865
1800 C	2050c	Sony IMX183	Color	Open housing	S-Mount	On request ¹
1800 C	2050c	Sony IMX183	Color	Open housing	CS-Mount	On request ¹
1800 C	2050c	Sony IMX183	Color	Open housing	C-Mount	14868

¹For this mount, typical lenses do not support high-quality imaging for the corresponding sensor. Therefore, we do not offer this option.

Table 8: Product codes for Alvim CSI-2 cameras (sheet 3 of 3)

Hardware options for USB cameras



Hardware options offered for Alvium cameras:

Hardware options overview	21
Select your option	22
Product codes for Alvium USB cameras.....	39

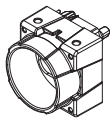
Hardware options overview

To enable a large variety of applications, Alvium cameras are offered various hardware options to enable maximum freedom for your vision application.

Housing options



Bare Board: enables maximum design flexibility.

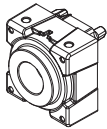


Open Housing: provides a metal housing including a lens mount. For EMC compliance, to be designed into EMC housings.

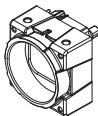


Closed Housing: closed at the back to provide additional protection against electromagnetic interference and against electronics damage.

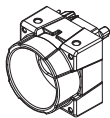
Lens mount options



S-Mount (M12-Mount): enables small size, available at reasonable prices.

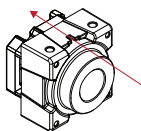


CS-Mount: combines the use of accurate and sensitive lenses like for C-Mount, but with a shorter lens mount.

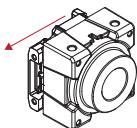


C-Mount: enables to pick from a large variety of lenses for high quality imaging.

USB connector position



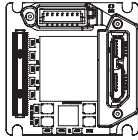
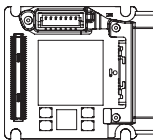
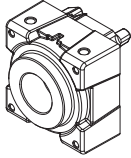
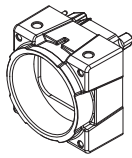
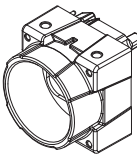
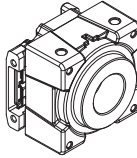
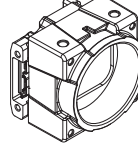
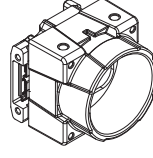
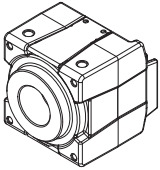
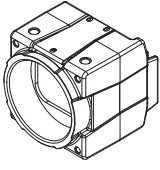
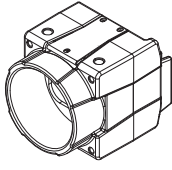
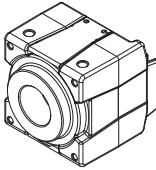
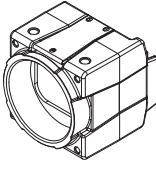
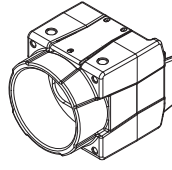
Standard: The connector is at the camera backside. This option is not mentioned in the naming for camera hardware options.



90°: The connector is at the camera left side, as seen from the lens mount. This option is named **90°**.

Select your option

Alvium USB cameras are available as shown in the following table:

Bare Board					
Standard			90°		
					
page 23			page 25		
Open Housing					
Standard			90°		
S-Mount	CS-Mount	C-Mount	S-Mount	CS-Mount	C-Mount
					
page 27	page 28	page 29	page 30	page 31	page 32
Closed Housing					
Standard			90°		
S-Mount	CS-Mount	C-Mount	S-Mount	CS-Mount	C-Mount
					
page 33	page 34	page 35	page 36	page 37	page 38



Mounting the camera

To mount the camera properly, see [Mounting housed cameras](#) on page 104.



Tripod adapter

For more information, see the Alvium Cameras Accessory Guide at www.alliedvision.com/en/support/technical-documentation/alvium-usb-documentation.html.

USB Bare Board

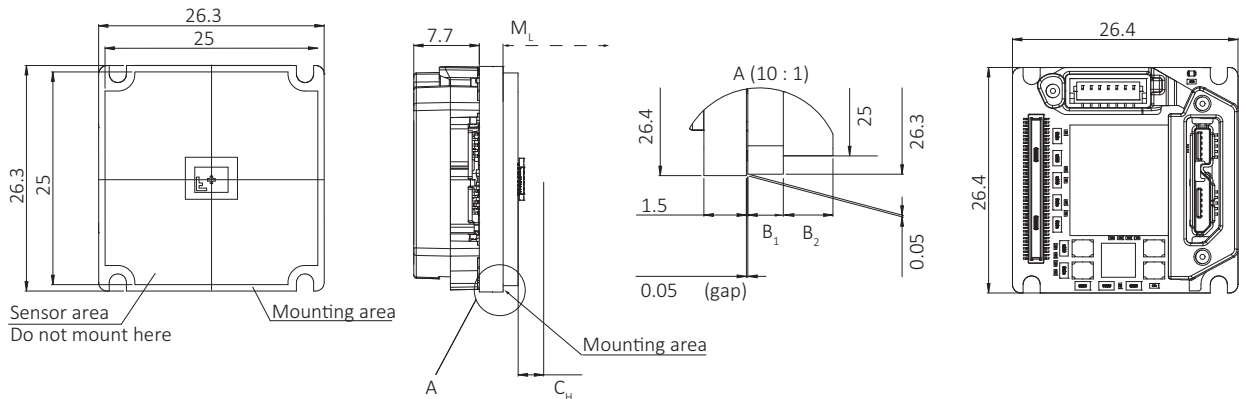


Figure 5: Dimensions for USB Bare Board

Dimensions that are common between different models are shown in [Figure 5](#), model specific dimensions are listed in [Table 9](#). **Mechanical length** (M_L) defines the mechanical distance from the mounting area to the lens mount front flange. **Electronics thickness** (E_T) relates to the electronic components with maximum thickness, in some cases the sensor.

Camera model	M_L Mechanical length for C-Mount	C_H Components height, incl. the sensor	B_1 Board thickness	B_2 Board thickness
Alvium 1800 U-040m/c	~19.8 mm	2.2 mm	1.0 mm	1.3 mm
Alvium 1800 U-050m/c	~19.5 mm	1.4 mm	1.25 mm	1.75 mm
Alvium 1800 U-120m/c	~19.6 mm	1.3 mm	1.15 mm	1.15 mm
Alvium 1800 U-158m/c	~19.8 mm	2.2 mm	1.0 mm	1.3 mm
Alvium 1800 U-319m/c	~19.9 mm	2.2 mm	1.0 mm	1.3 mm
Alvium 1800 U-500m/c	~19.8 mm	1.6 mm	1.2 mm	1.2 mm
Alvium 1800 U-501m NIR	~19.8 mm	1.6 mm	1.2 mm	1.2 mm
Alvium 1800 U-507m/c	~19.8 mm	2.2 mm	1.0 mm	1.3 mm
Alvium 1800 U-1236m/c	~19.7 mm	2.2 mm	1.0 mm	1.3 mm
Alvium 1800 U-2050m/c	~18.6 mm	2.8 mm	1.15 mm	1.05 mm

Table 9: Bare Board; model specific dimensions, nominal values



Mechanical length for S-Mount and CS-Mount

Mechanical length for other mounts is:

- CS-Mount: [C-Mount value] – 5 mm
- S-Mount: depending on your design.

Dimensions and mass

Camera model	Dimensions (L × W × H [mm])	Mass
Alvium 1800 family	13 × 26 × 26	15 g

Table 10: USB Bare Board; dimensions and mass

Regulations

Directive 2011/65/EU, incl. amendment 2015/863/EU (RoHS)

USB Bare Board 90°

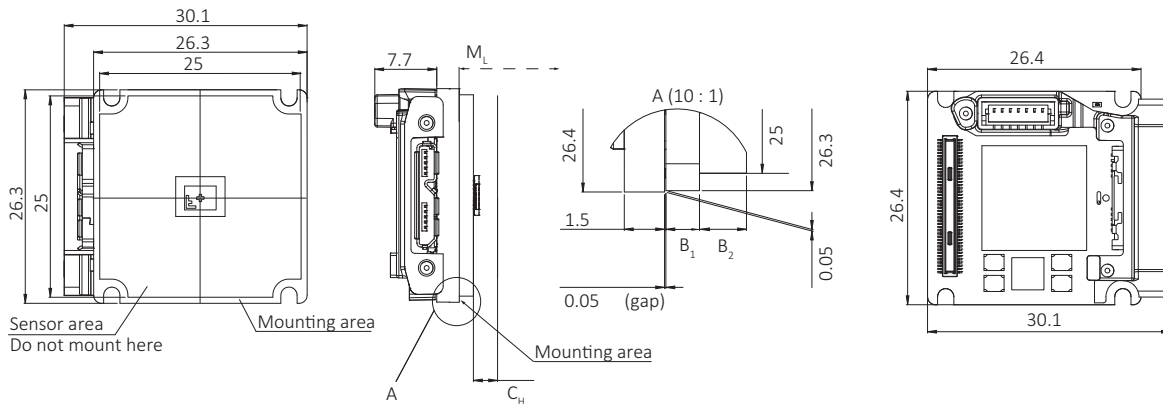


Figure 6: Dimensions for USB Bare Board 90°

Dimensions that are common between different models are shown in [Figure 6](#), model specific dimensions are listed in [Table 11](#). **Mechanical length** (M_L) defines the mechanical distance from the mounting area to the lens mount front flange. **Electronics thickness** (E_T) relates to the electronic components with maximum thickness, in some cases the sensor.

Camera model	M_L Mechanical length for C-Mount	C_H Components height, incl. the sensor	B_1 Board thickness	B_2 Board thickness
Alvium 1800 U-040m/c	~19.8 mm	2.2 mm	1.0 mm	1.3 mm
Alvium 1800 U-050m/c	~19.5 mm	1.4 mm	1.25 mm	1.75 mm
Alvium 1800 U-120m/c	~19.6 mm	1.3 mm	1.15 mm	1.15 mm
Alvium 1800 U-158m/c	~19.8 mm	2.2 mm	1.0 mm	1.3 mm
Alvium 1800 U-319m/c	~19.9 mm	2.2 mm	1.0 mm	1.3 mm
Alvium 1800 U-500m/c	~19.8 mm	1.6 mm	1.2 mm	1.2 mm
Alvium 1800 U-501m NIR	~19.8 mm	1.6 mm	1.2 mm	1.2 mm
Alvium 1800 U-507m/c	~19.8 mm	2.2 mm	1.0 mm	1.3 mm
Alvium 1800 U-1236m/c	~19.7 mm	2.2 mm	1.0 mm	1.3 mm
Alvium 1800 U-2050m/c	~18.6 mm	2.8 mm	1.15 mm	1.05 mm

Table 11: Bare Board 90°; model specific dimensions, nominal values



Mechanical length for S-Mount and CS-Mount

Mechanical length for other mounts is:

- CS-Mount: [C-Mount value] – 5 mm
- S-Mount: depending on your design.

Dimensions and mass

Camera model	Dimensions (L × W × H [mm])	Mass
Alvium 1800 family	13 × 30 × 26	15 g

Table 12: Dimensions and mass for USB Bare Board 90°

Regulations

Directive 2011/65/EU, incl. amendment 2015/863/EU (RoHS)

USB Open Housing S-Mount

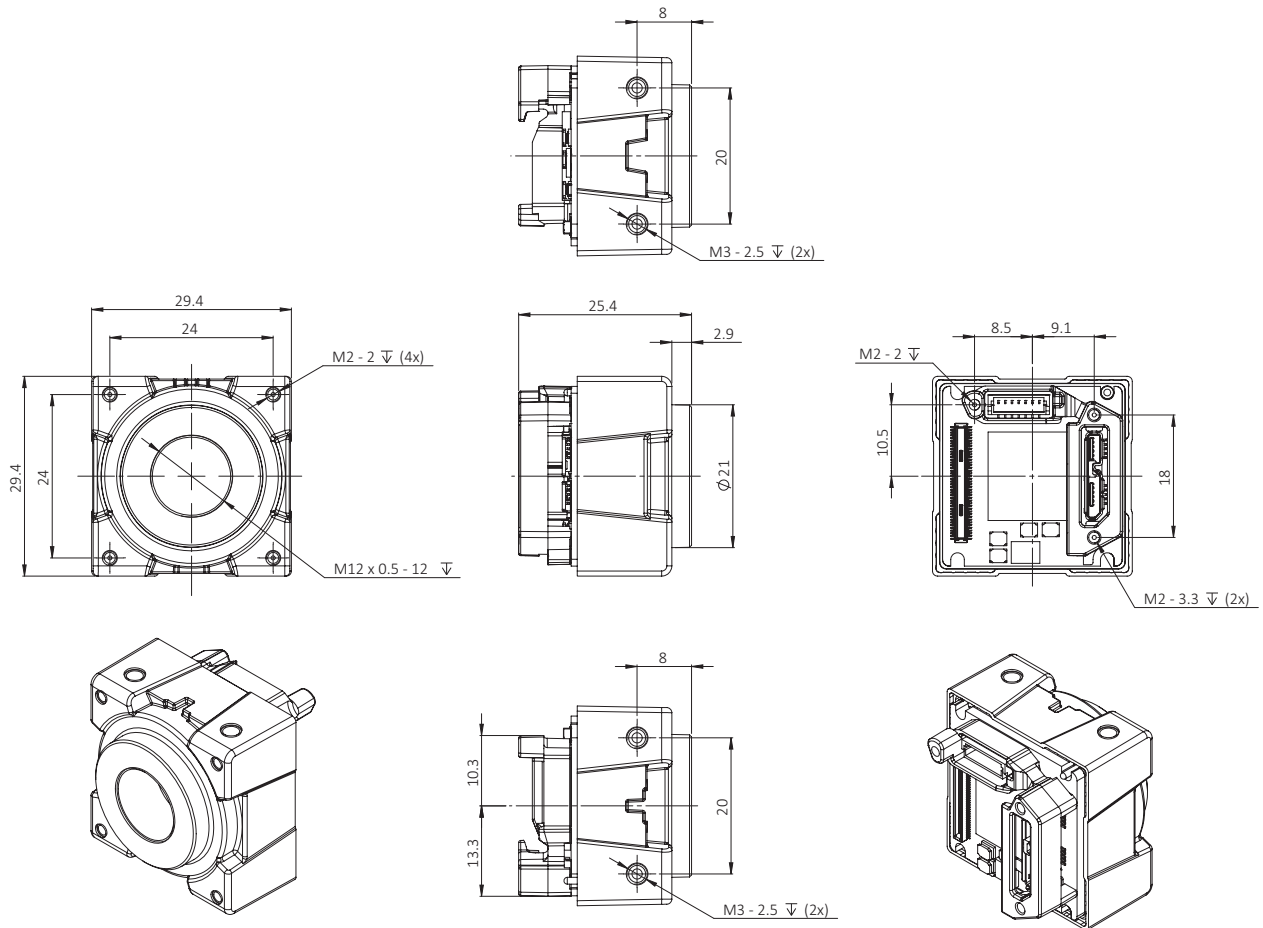


Figure 7: Dimensions for USB Open Housing S-Mount

Dimensions and mass

Feature	Specification
Dimensions (L × W × H [mm])	25 × 29 × 29
Mass	45 g

Table 13: Dimensions and mass for USB Open Housing S-Mount

Regulations

Directive 2011/65/EU, incl. amendment 2015/863/EU (RoHS)

USB Open Housing CS-Mount

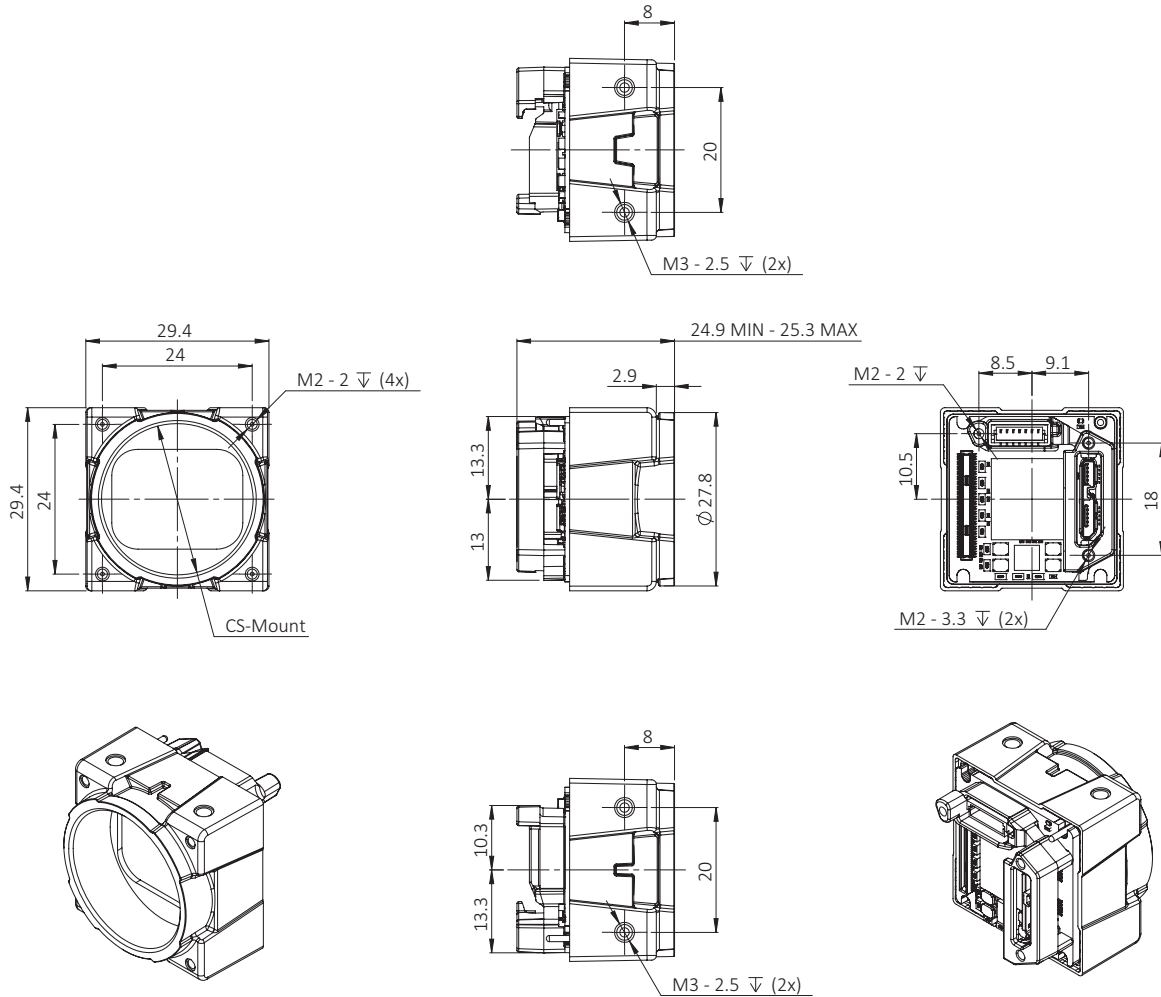


Figure 8: Dimensions for USB Open Housing CS-Mount

Dimensions and mass

Feature	Specification
Dimensions (L × W × H [mm])	25 × 29 × 29
Mass	40 g

Table 14: Dimensions and mass for USB Open Housing CS-Mount

Regulations

Directive 2011/65/EU, incl. amendment 2015/863/EU (RoHS)

USB Open Housing C-Mount

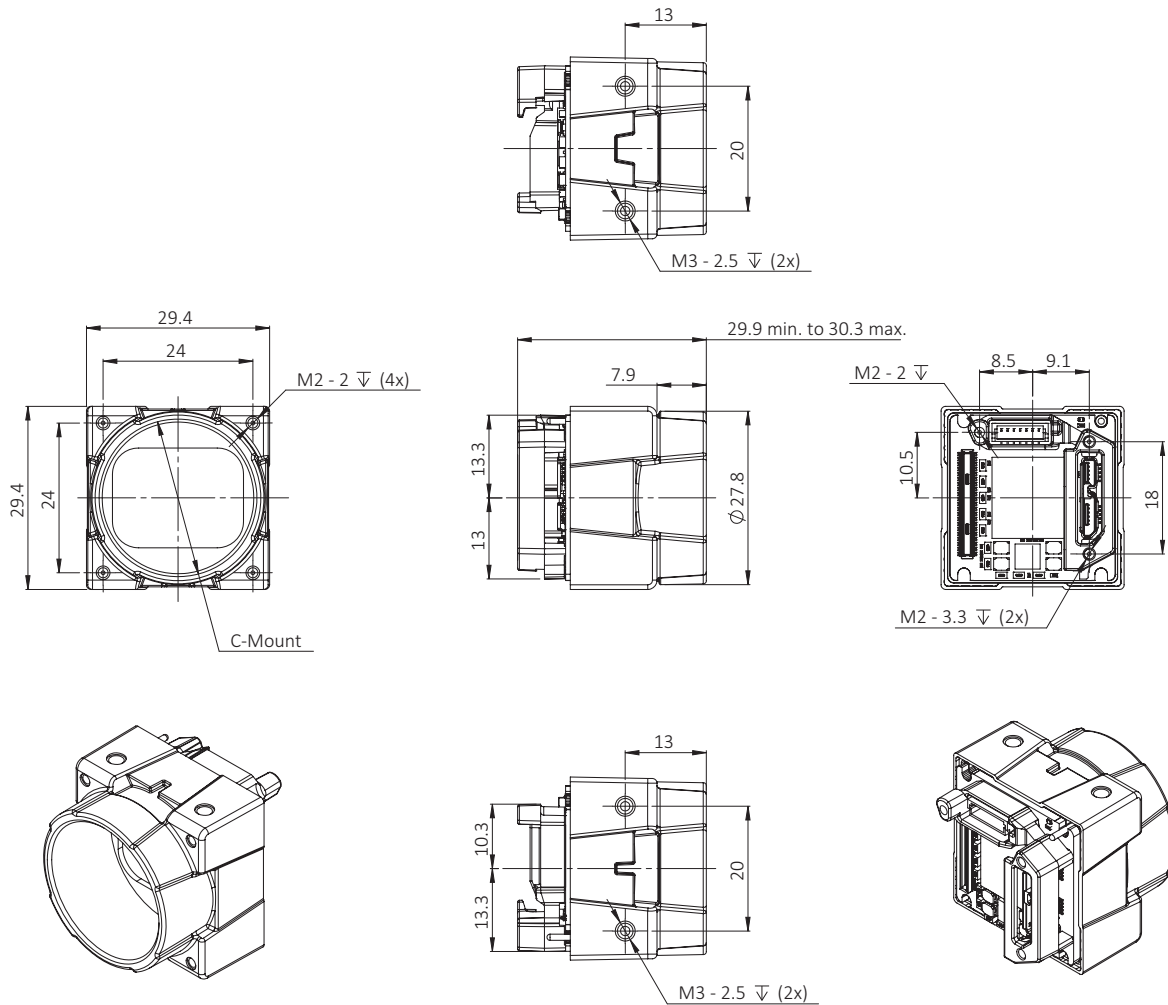


Figure 9: Dimensions for USB Open Housing C-Mount

Dimensions and mass

Feature	Specification
Dimensions (L × W × H [mm])	30 × 29 × 29
Mass	45 g

Table 15: Dimensions and mass for USB Open Housing C-Mount

Regulations

Directive 2011/65/EU, incl. amendment 2015/863/EU (RoHS)

USB Open Housing S-Mount 90°

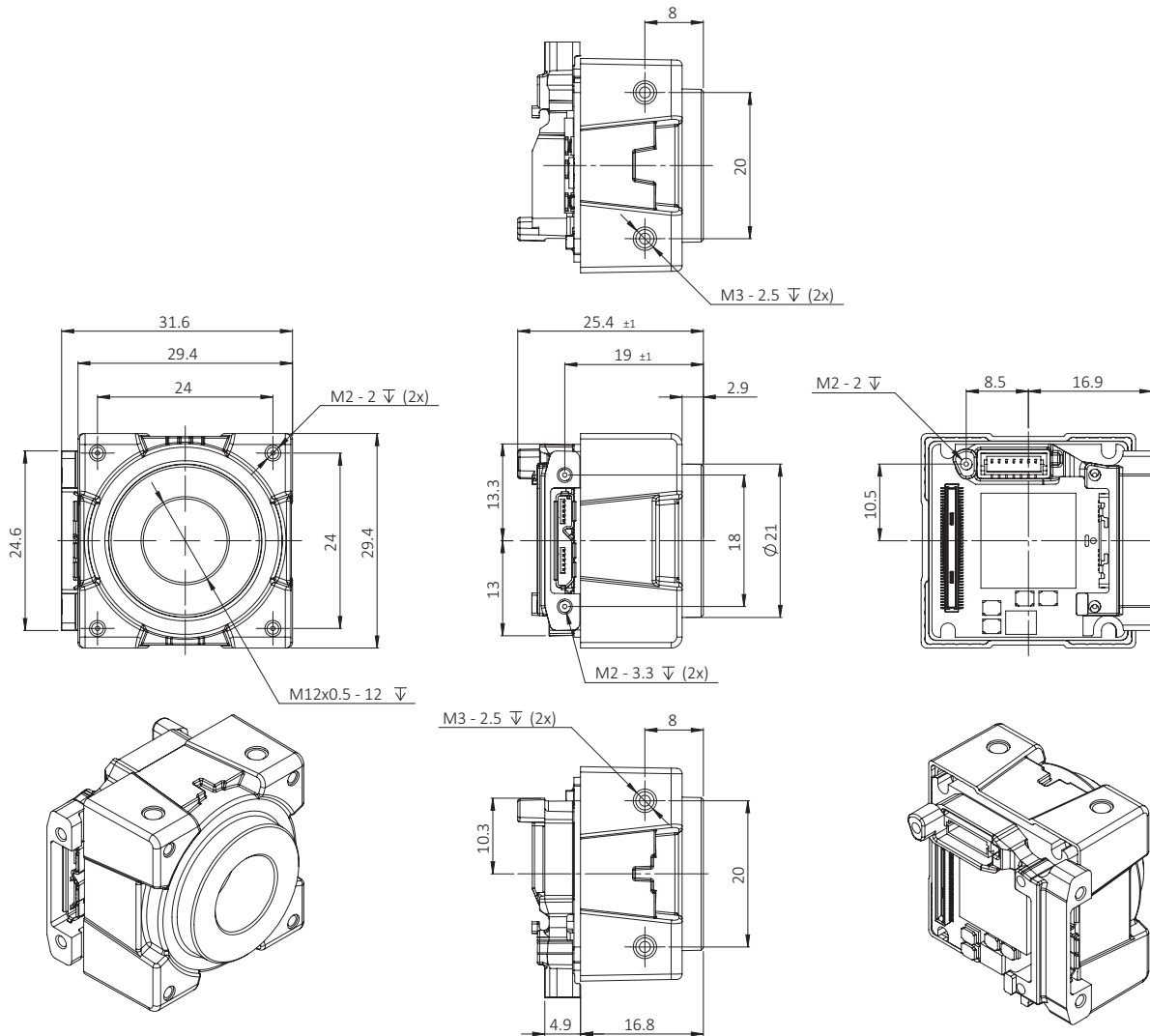


Figure 10: Dimensions for USB Open Housing S-Mount 90°

Dimensions and mass

Feature	Specification
Dimensions (L × W × H [mm])	25 × 32 × 29
Mass	45 g

Table 16: Dimensions and mass for USB Open Housing S-Mount 90°

Regulations

Directive 2011/65/EU, incl. amendment 2015/863/EU (RoHS)

USB Open Housing CS-Mount 90°

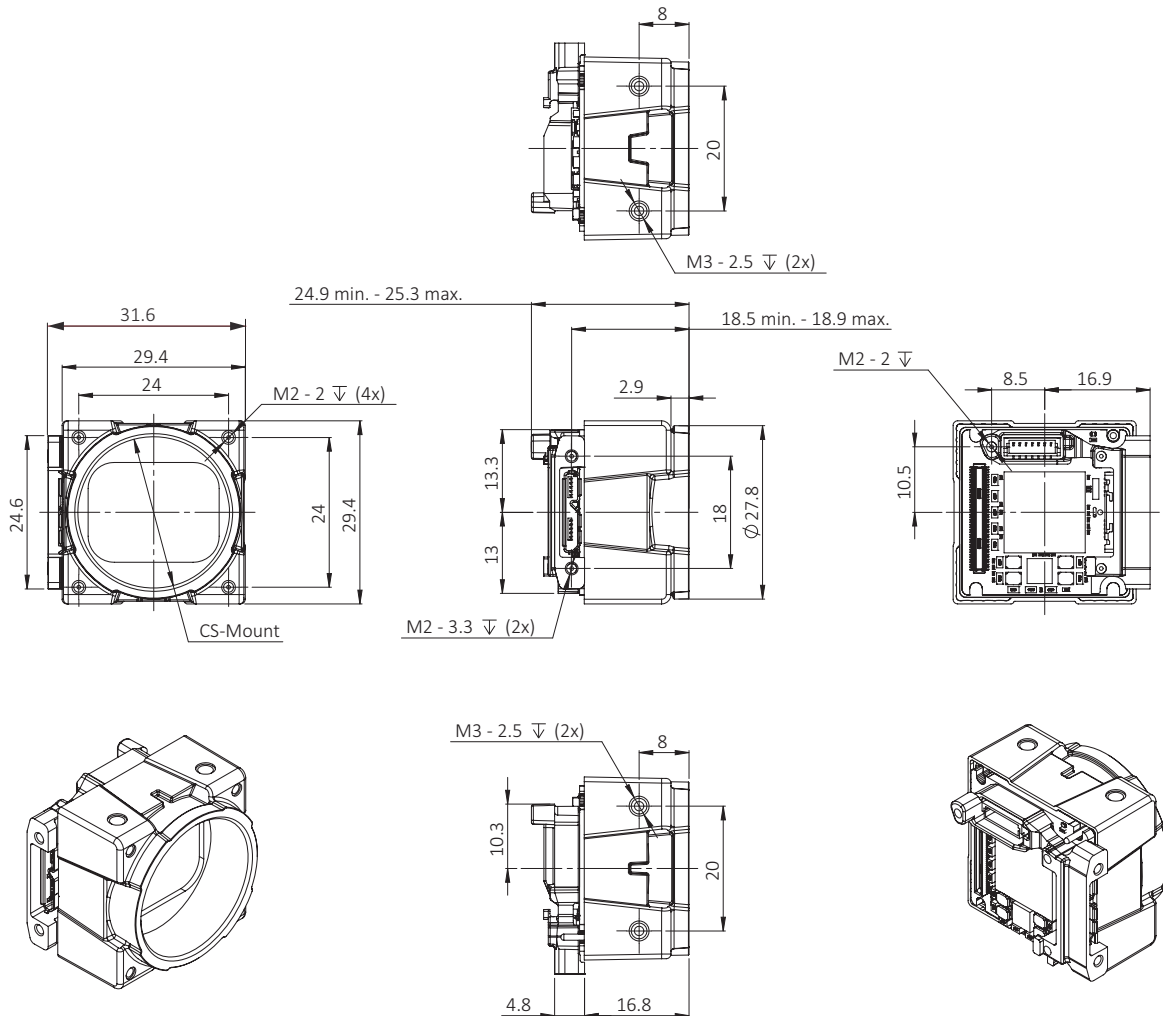


Figure 11: Dimensions for USB Open Housing CS-Mount 90°

Dimensions and mass

Feature	Specification
Dimensions (L × W × H [mm])	25 × 32 × 29
Mass	45 g

Table 17: Dimensions and mass for USB Open Housing CS-Mount 90°

Regulations

Directive 2011/65/EU, incl. amendment 2015/863/EU (RoHS)

USB Open Housing C-Mount 90°

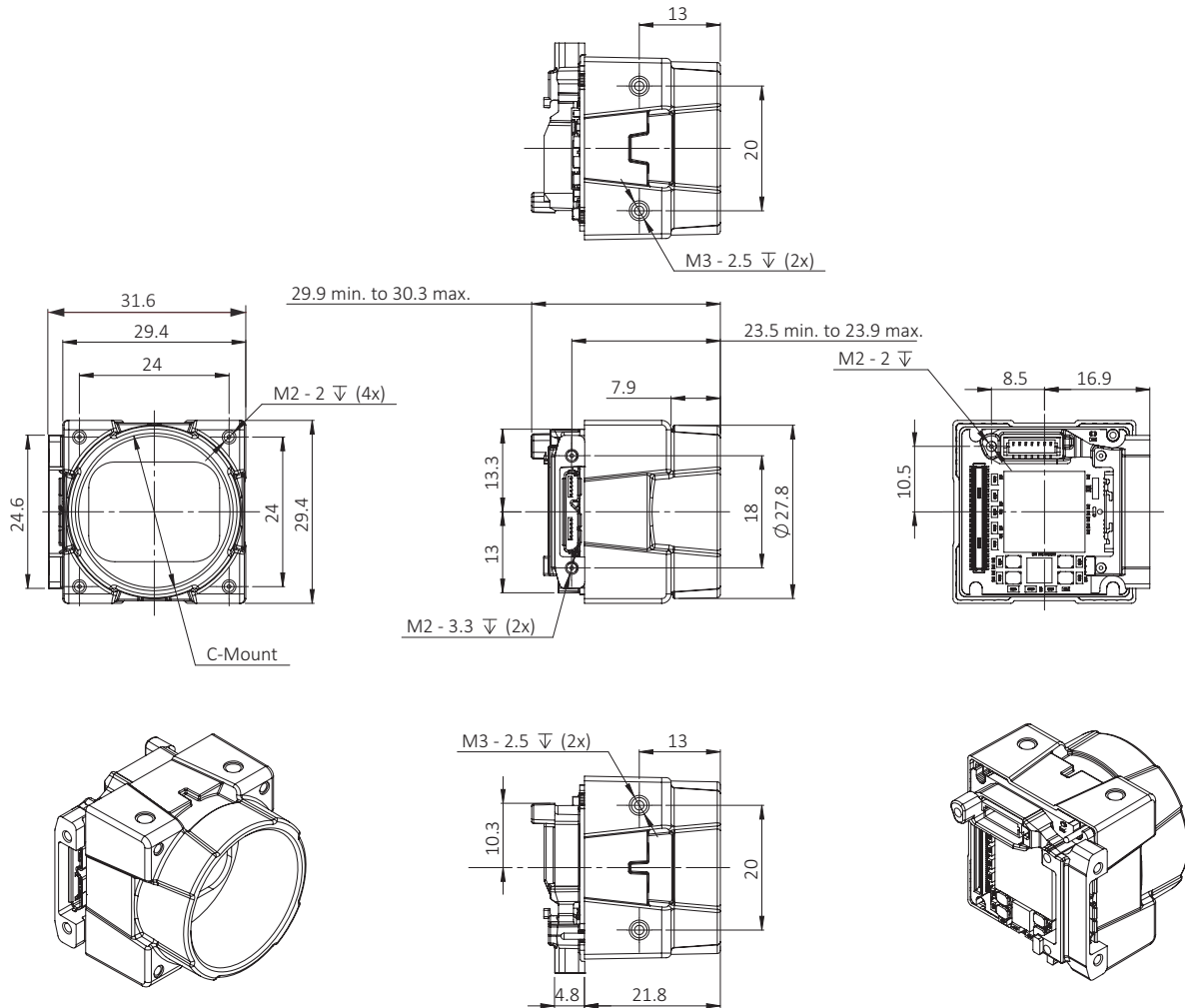


Figure 12: Dimensions for USB Open Housing C-Mount 90°

Dimensions and mass

Feature	Specification
Dimensions (L × W × H [mm])	30 × 32 × 29
Mass	50 g

Table 18: Dimensions and mass for USB Open Housing C-Mount 90°

Regulations

Directive 2011/65/EU, incl. amendment 2015/863/EU (RoHS)

USB Closed Housing S-Mount

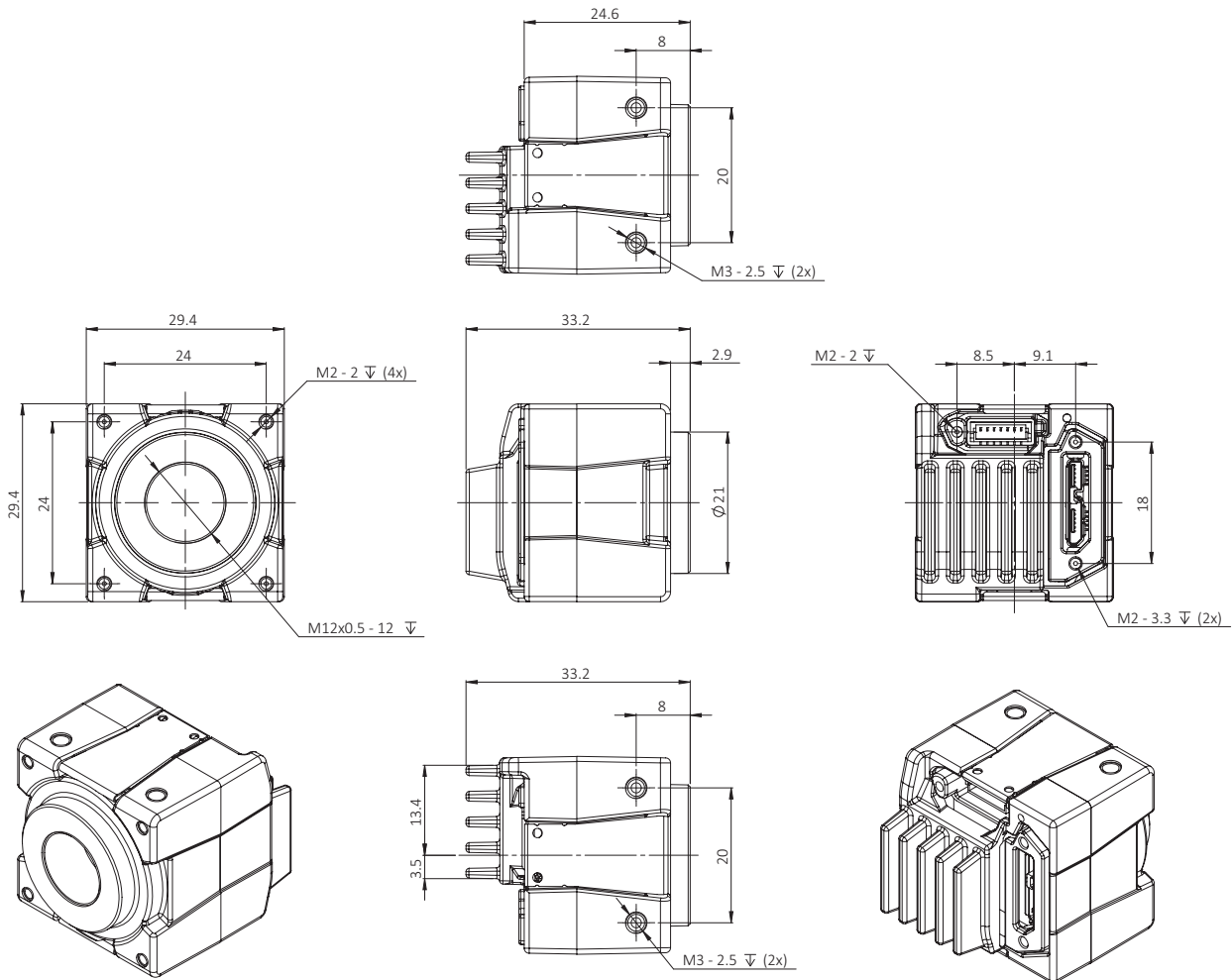


Figure 13: Dimensions for USB Closed Housing S-Mount

Dimensions and mass

Feature	Specification
Dimensions (L × W × H [mm])	33 × 29 × 29
Mass	60 g

Table 19: Dimensions and mass for USB Closed Housing S-Mount

Regulations

Directive 2014/30/EU; Directive 2011/65/EU, incl. amendment 2015/863/EU (RoHS); FCC Class B digital device; CAN ICES-003 (B) / NMB-3 (B)

USB Closed Housing CS-Mount

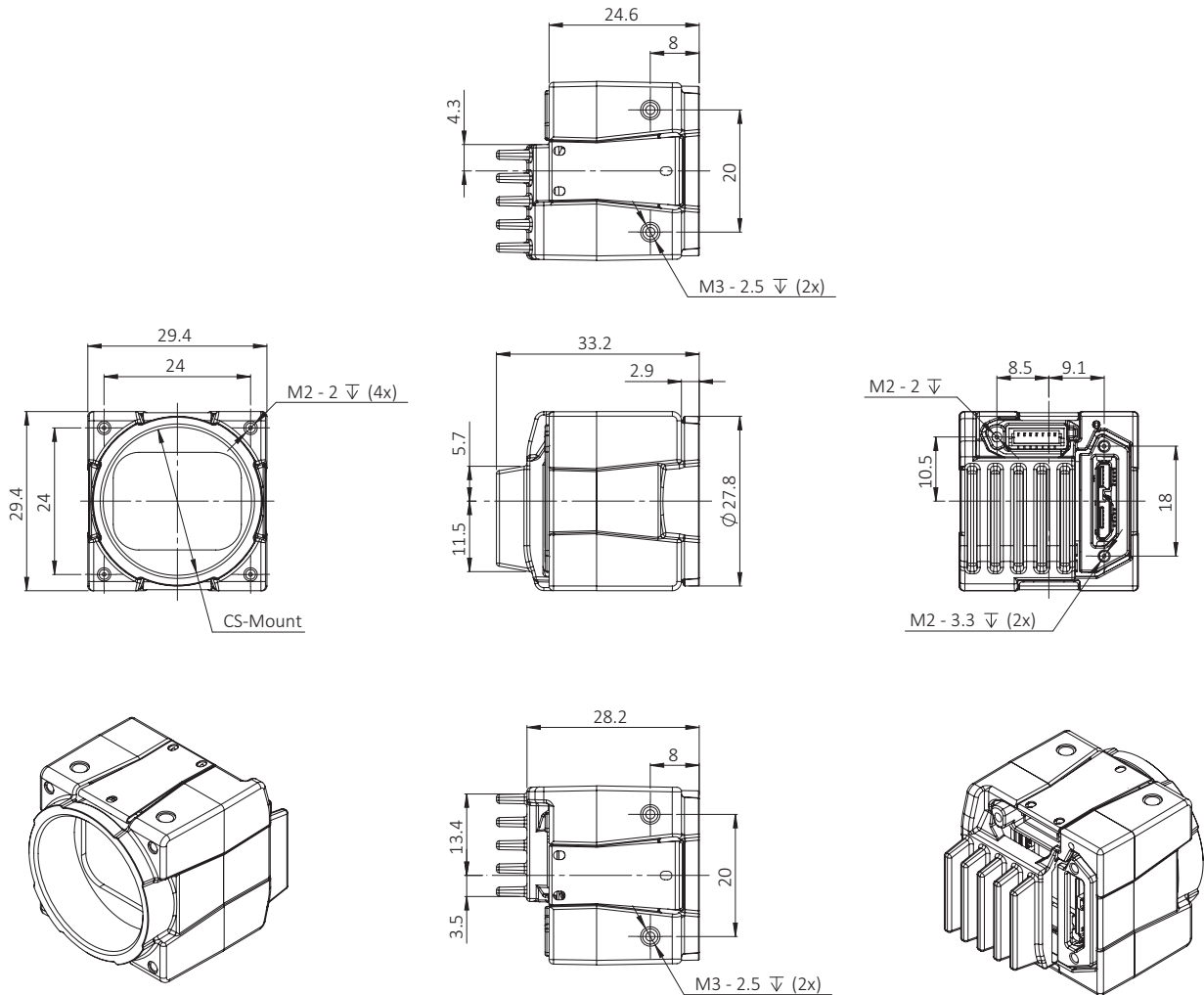


Figure 14: Dimensions for USB Closed Housing CS-Mount

Dimensions and mass

Feature	Specification
Dimensions (L × W × H [mm])	33 × 29 × 29
Mass	60 g

Table 20: Dimensions and mass for USB Closed Housing CS-Mount

Regulations

Directive 2014/30/EU; Directive 2011/65/EU, incl. amendment 2015/863/EU (RoHS); FCC Class B digital device; CAN ICES-003 (B) / NMB-3 (B)

USB Closed Housing C-Mount

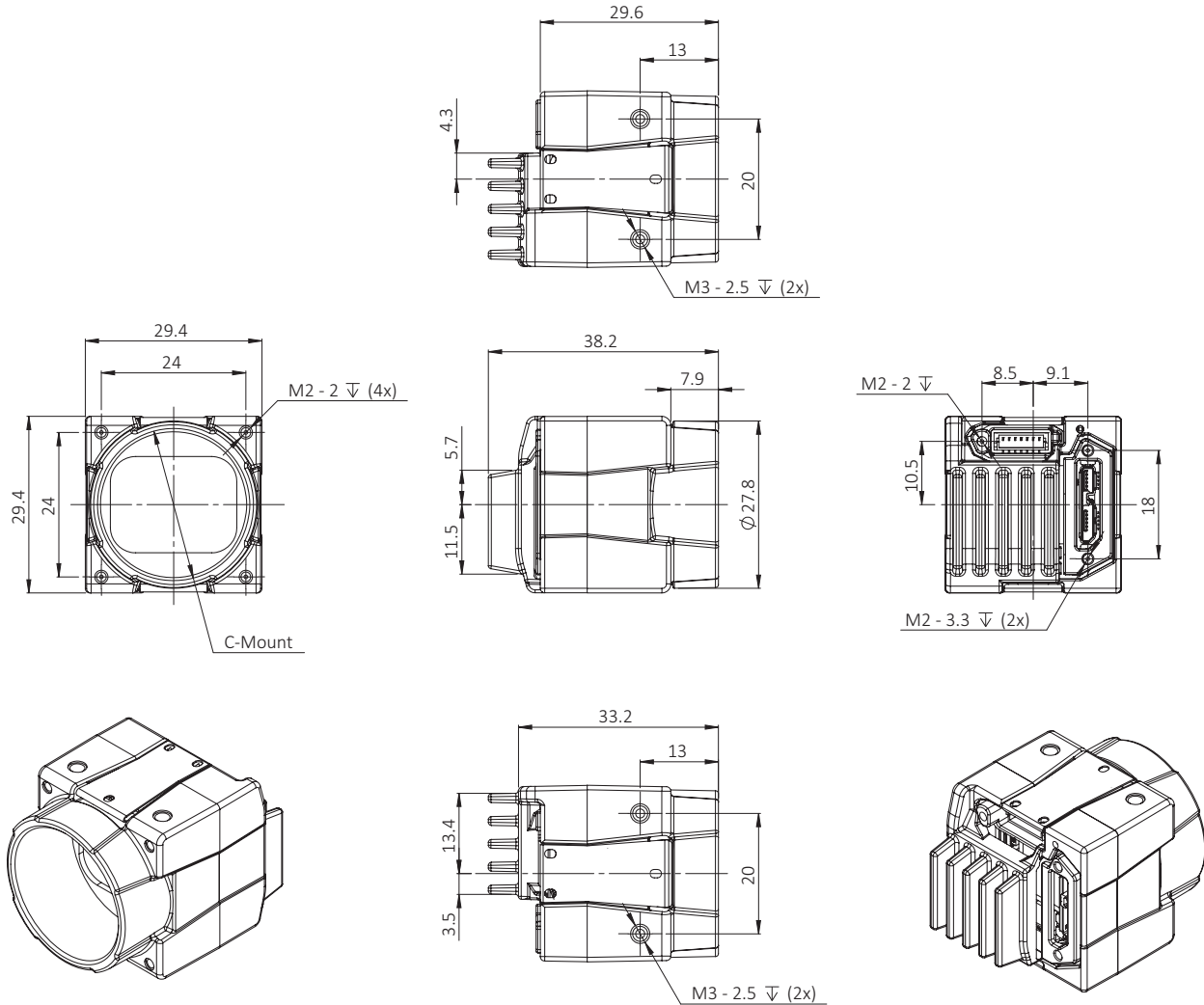


Figure 15: Dimensions for USB Closed Housing C-Mount

Dimensions and mass

Feature	Specification
Dimensions (L × W × H [mm])	38 × 29 × 29
Mass	60 g

Table 21: Dimensions and mass for USB Closed Housing C-Mount

Regulations

Directive 2014/30/EU; Directive 2011/65/EU, incl. amendment 2015/863/EU (RoHS); FCC Class B digital device; CAN ICES-003 (B) / NMB-3 (B)

USB Closed Housing S-Mount 90°

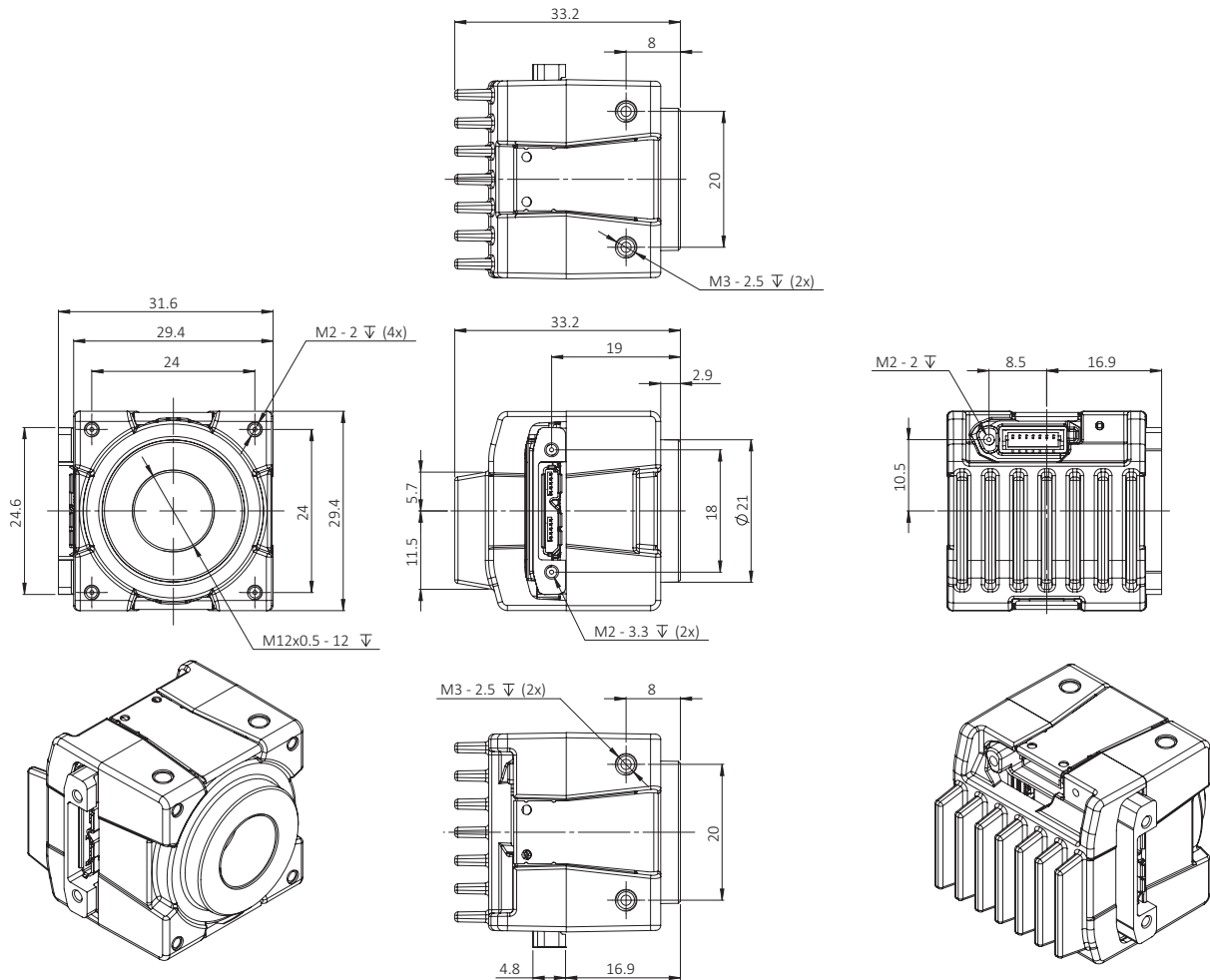


Figure 16: Dimensions for USB Closed Housing S-Mount 90°

Dimensions and mass

Feature	Specification
Dimensions (L × W × H [mm])	33 × 32 × 29
Mass	65 g

Table 22: Dimensions and mass for USB Closed Housing S-Mount 90°

Regulations

Directive 2014/30/EU; Directive 2011/65/EU, incl. amendment 2015/863/EU (RoHS); FCC Class B digital device; CAN ICES-003 (B) / NMB-3 (B)

USB Closed Housing CS-Mount 90°

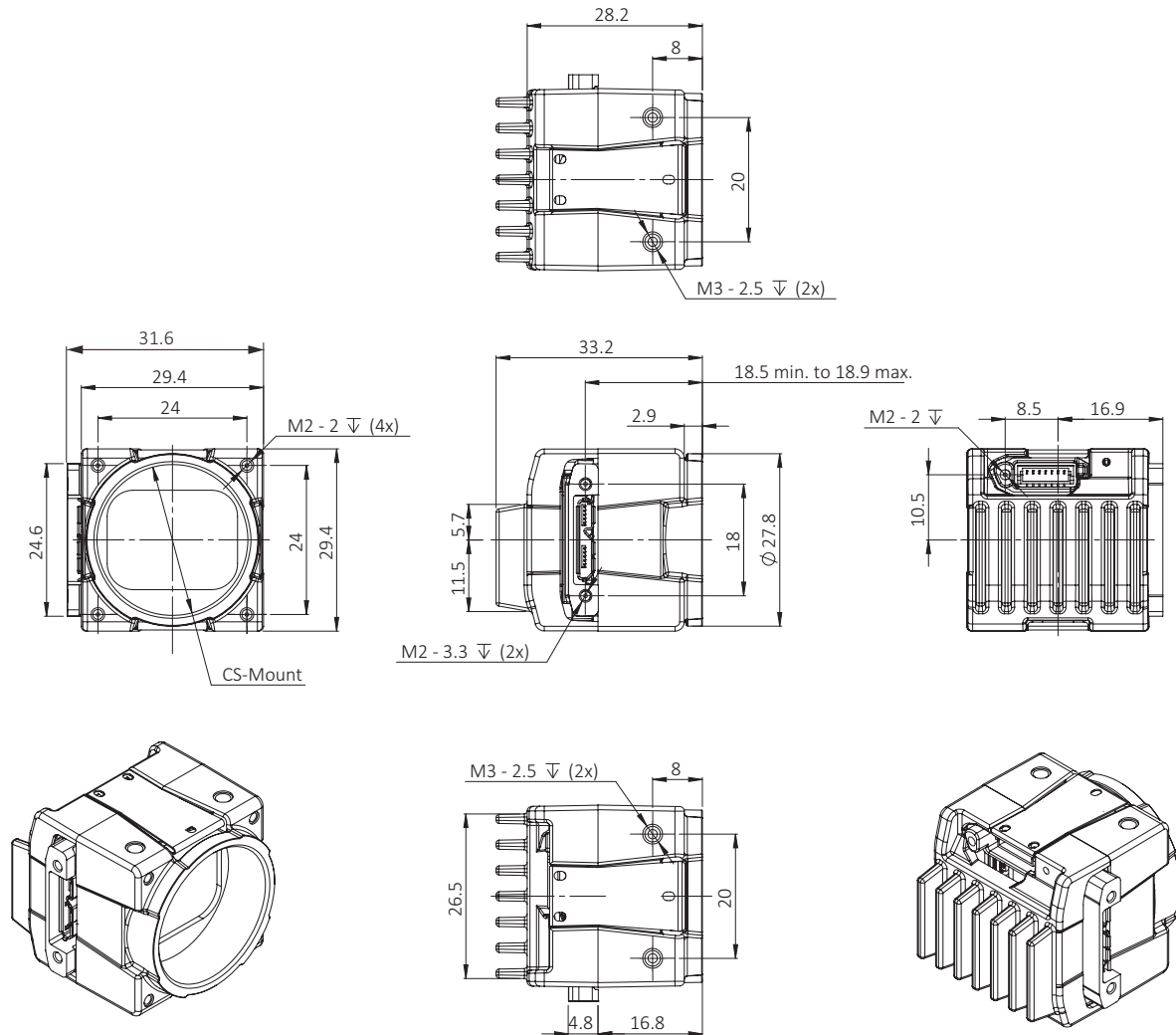


Figure 17: Dimensions for USB Closed Housing CS-Mount 90°

Dimensions and mass

Feature	Specification
Dimensions (L × W × H [mm])	33 × 32 × 29
Mass	60 g

Table 23: Dimensions and mass for USB Closed Housing CS-Mount 90°

Regulations

Directive 2014/30/EU; Directive 2011/65/EU, incl. amendment 2015/863/EU (RoHS); FCC Class B digital device; CAN ICES-003 (B) / NMB-3 (B)

USB Closed Housing C-Mount 90°

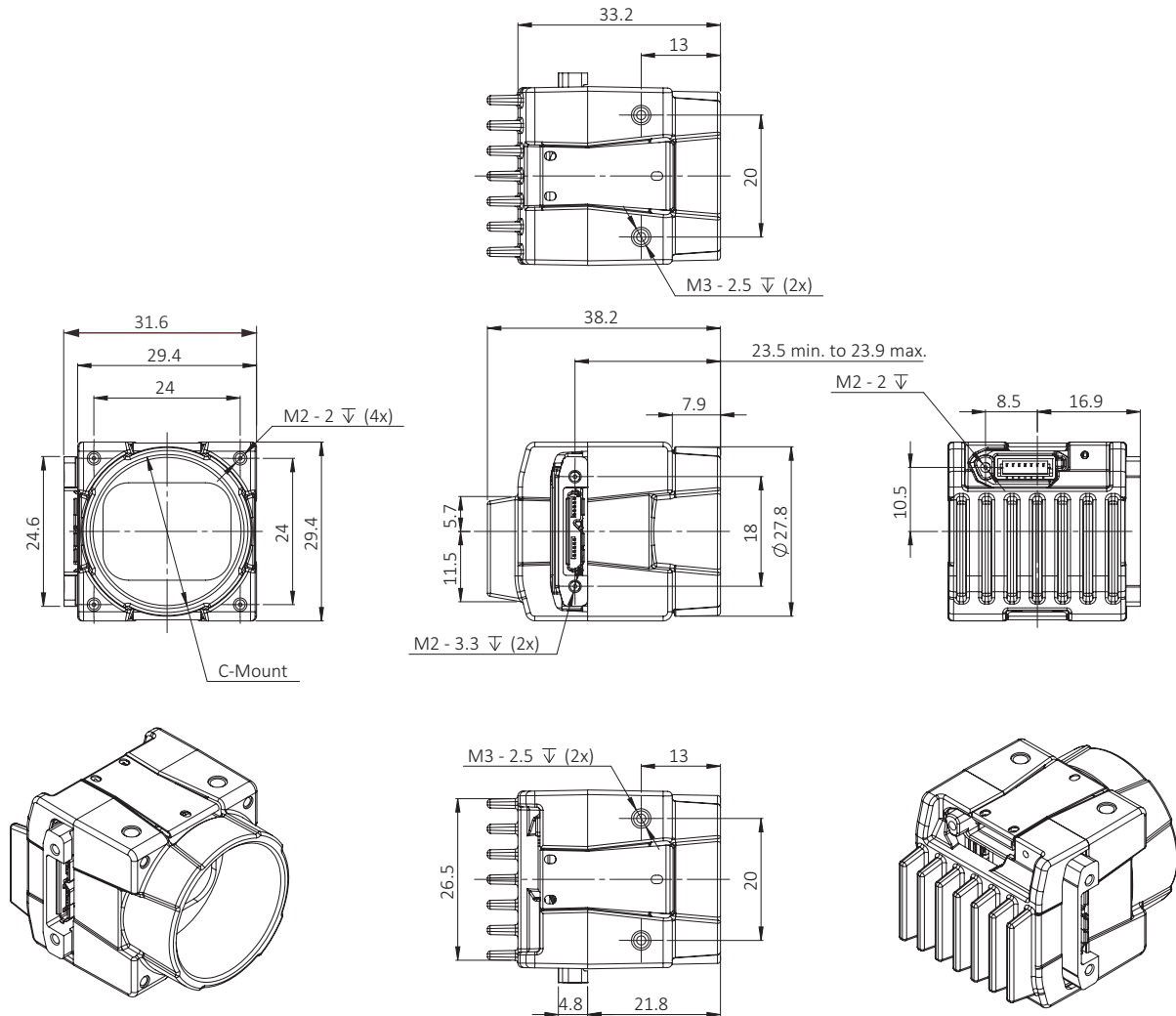


Figure 18: Dimensions for USB Closed Housing C-Mount 90°

Dimensions and mass

Feature	Specification
Dimensions (L × W × H [mm])	38 × 32 × 29
Mass	65 g

Table 24: Dimensions and mass for USB Closed Housing C-Mount 90°

Regulations

Directive 2014/30/EU; Directive 2011/65/EU, incl. amendment 2015/863/EU (RoHS); FCC Class B digital device; CAN ICES-003 (B) / NMB-3 (B)

Product codes for Alvium USB cameras

Find your camera's product code from the following list of hardware options:

Alvium 1800 U-040m/c

Family	Model	Sensor	Mono /color	Housing	Lens mount	USB connector	Product code
1800 U	040m	Sony IMX287	Mono	Bare board	N/A	Standard	14172
1800 U	040m	Sony IMX287	Mono	Bare board	N/A	90°	14179
1800 U	040m	Sony IMX287	Mono	Open housing	S-Mount	Standard	14171
1800 U	040m	Sony IMX287	Mono	Open housing	CS-Mount	Standard	14170
1800 U	040m	Sony IMX287	Mono	Open housing	C-Mount	Standard	13874
1800 U	040m	Sony IMX287	Mono	Open housing	S-Mount	90°	14178
1800 U	040m	Sony IMX287	Mono	Open housing	CS-Mount	90°	14177
1800 U	040m	Sony IMX287	Mono	Open housing	C-Mount	90°	14176
1800 U	040m	Sony IMX287	Mono	Closed housing	S-Mount	Standard	14160
1800 U	040m	Sony IMX287	Mono	Closed housing	CS-Mount	Standard	14159
1800 U	040m	Sony IMX287	Mono	Closed housing	C-Mount	Standard	14158
1800 U	040m	Sony IMX287	Mono	Closed housing	S-Mount	90°	14166
1800 U	040m	Sony IMX287	Mono	Closed housing	CS-Mount	90°	14165
1800 U	040m	Sony IMX287	Mono	Closed housing	C-Mount	90°	14164
1800 U	040c	Sony IMX287	Color	Bare board	N/A	Standard	14175
1800 U	040c	Sony IMX287	Color	Bare board	N/A	90°	14183
1800 U	040c	Sony IMX287	Color	Open housing	S-Mount	Standard	14174
1800 U	040c	Sony IMX287	Color	Open housing	CS-Mount	Standard	14173
1800 U	040c	Sony IMX287	Color	Open housing	C-Mount	Standard	14175
1800 U	040c	Sony IMX287	Color	Open housing	S-Mount	90°	14182
1800 U	040c	Sony IMX287	Color	Open housing	CS-Mount	90°	14181
1800 U	040c	Sony IMX287	Color	Open housing	C-Mount	90°	14180
1800 U	040c	Sony IMX287	Color	Closed housing	S-Mount	Standard	14163
1800 U	040c	Sony IMX287	Color	Closed housing	CS-Mount	Standard	14162
1800 U	040c	Sony IMX287	Color	Closed housing	C-Mount	Standard	14161
1800 U	040c	Sony IMX287	Color	Closed housing	S-Mount	90°	14169
1800 U	040c	Sony IMX287	Color	Closed housing	CS-Mount	90°	14168
1800 U	040c	Sony IMX287	Color	Closed housing	C-Mount	90°	14167

Table 25: Product codes for Alvium 1800 U-040m/c cameras

Alvium 1800 U-050m/c

Family	Model	Sensor	Mono/color	Housing	Lens mount	USB connector	Product code
1800 U	050m	ON Semiconductor PYTHON 480	Mono	Bare board	N/A	Standard	11902
1800 U	050m	ON Semiconductor PYTHON 480	Mono	Bare board	N/A	90°	11874
1800 U	050m	ON Semiconductor PYTHON 480	Mono	Open housing	S-Mount	Standard	11903
1800 U	050m	ON Semiconductor PYTHON 480	Mono	Open housing	CS-Mount	Standard	11904
1800 U	050m	ON Semiconductor PYTHON 480	Mono	Open housing	C-Mount	Standard	11905
1800 U	050m	ON Semiconductor PYTHON 480	Mono	Open housing	S-Mount	90°	11875
1800 U	050m	ON Semiconductor PYTHON 480	Mono	Open housing	CS-Mount	90°	11876
1800 U	050m	ON Semiconductor PYTHON 480	Mono	Open housing	C-Mount	90°	11877
1800 U	050m	ON Semiconductor PYTHON 480	Mono	Closed housing	S-Mount	Standard	13612
1800 U	050m	ON Semiconductor PYTHON 480	Mono	Closed housing	CS-Mount	Standard	13613
1800 U	050m	ON Semiconductor PYTHON 480	Mono	Closed housing	C-Mount	Standard	13614
1800 U	050m	ON Semiconductor PYTHON 480	Mono	Closed housing	S-Mount	90°	14146
1800 U	050m	ON Semiconductor PYTHON 480	Mono	Closed housing	CS-Mount	90°	14147
1800 U	050m	ON Semiconductor PYTHON 480	Mono	Closed housing	C-Mount	90°	14148
1800 U	050c	ON Semiconductor PYTHON 480	Color	Bare board	N/A	Standard	11906
1800 U	050c	ON Semiconductor PYTHON 480	Color	Bare board	N/A	90°	11878
1800 U	050c	ON Semiconductor PYTHON 480	Color	Open housing	S-Mount	Standard	11907
1800 U	050c	ON Semiconductor PYTHON 480	Color	Open housing	CS-Mount	Standard	11908
1800 U	050c	ON Semiconductor PYTHON 480	Color	Open housing	C-Mount	Standard	11909
1800 U	050c	ON Semiconductor PYTHON 480	Color	Open housing	S-Mount	90°	11879
1800 U	050c	ON Semiconductor PYTHON 480	Color	Open housing	CS-Mount	90°	11880
1800 U	050c	ON Semiconductor PYTHON 480	Color	Open housing	C-Mount	90°	11881
1800 U	050c	ON Semiconductor PYTHON 480	Color	Closed housing	S-Mount	Standard	13615
1800 U	050c	ON Semiconductor PYTHON 480	Color	Closed housing	CS-Mount	Standard	13616
1800 U	050c	ON Semiconductor PYTHON 480	Color	Closed housing	C-Mount	Standard	13617
1800 U	050c	ON Semiconductor PYTHON 480	Color	Closed housing	S-Mount	90°	14149
1800 U	050c	ON Semiconductor PYTHON 480	Color	Closed housing	CS-Mount	90°	14150
1800 U	050c	ON Semiconductor PYTHON 480	Color	Closed housing	C-Mount	90°	14151

Table 26: Product codes for Alvium 1800 U-050m/c cameras

Alvium 1800 U-120m/c

Family	Model	Sensor	Mono/color	Housing	Lens mount	USB connector	Product code
1800 U	120m	ON Semiconductor AR0135CS	Mono	Bare board	N/A	Standard	11910
1800 U	120m	ON Semiconductor AR0135CS	Mono	Bare board	N/A	90°	11882
1800 U	120m	ON Semiconductor AR0135CS	Mono	Open housing	S-Mount	Standard	11911
1800 U	120m	ON Semiconductor AR0135CS	Mono	Open housing	CS-Mount	Standard	11912
1800 U	120m	ON Semiconductor AR0135CS	Mono	Open housing	C-Mount	Standard	11913
1800 U	120m	ON Semiconductor AR0135CS	Mono	Open housing	S-Mount	90°	11883
1800 U	120m	ON Semiconductor AR0135CS	Mono	Open housing	CS-Mount	90°	11884
1800 U	120m	ON Semiconductor AR0135CS	Mono	Open housing	C-Mount	90°	11885
1800 U	120m	ON Semiconductor AR0135CS	Mono	Closed housing	S-Mount	Standard	14140
1800 U	120m	ON Semiconductor AR0135CS	Mono	Closed housing	CS-Mount	Standard	14141
1800 U	120m	ON Semiconductor AR0135CS	Mono	Closed housing	C-Mount	Standard	14142
1800 U	120m	ON Semiconductor AR0135CS	Mono	Closed housing	S-Mount	90°	14152
1800 U	120m	ON Semiconductor AR0135CS	Mono	Closed housing	CS-Mount	90°	14153
1800 U	120m	ON Semiconductor AR0135CS	Mono	Closed housing	C-Mount	90°	14154
1800 U	120c	ON Semiconductor AR0135CS	Color	Bare board	N/A	Standard	11914
1800 U	120c	ON Semiconductor AR0135CS	Color	Bare board	N/A	90°	11886
1800 U	120c	ON Semiconductor AR0135CS	Color	Open housing	S-Mount	Standard	11915
1800 U	120c	ON Semiconductor AR0135CS	Color	Open housing	CS-Mount	Standard	11916
1800 U	120c	ON Semiconductor AR0135CS	Color	Open housing	C-Mount	Standard	11917
1800 U	120c	ON Semiconductor AR0135CS	Color	Open housing	S-Mount	90°	11887
1800 U	120c	ON Semiconductor AR0135CS	Color	Open housing	CS-Mount	90°	11888
1800 U	120c	ON Semiconductor AR0135CS	Color	Open housing	C-Mount	90°	11889
1800 U	120c	ON Semiconductor AR0135CS	Color	Closed housing	S-Mount	Standard	14143
1800 U	120c	ON Semiconductor AR0135CS	Color	Closed housing	CS-Mount	Standard	14144
1800 U	120c	ON Semiconductor AR0135CS	Color	Closed housing	C-Mount	Standard	14145
1800 U	120c	ON Semiconductor AR0135CS	Color	Closed housing	S-Mount	90°	14155
1800 U	120c	ON Semiconductor AR0135CS	Color	Closed housing	CS-Mount	90°	14156
1800 U	120c	ON Semiconductor AR0135CS	Color	Closed housing	C-Mount	90°	14157

Table 27: Product codes for Alvium 1800 U-120m/c cameras

Alvium 1800 U-158m/c

Family	Model	Sensor	Mono /color	Housing	Lens mount	USB connector	Product code
1800 U	158m	Sony IMX273	Mono	Bare board	N/A	Standard	14198
1800 U	158m	Sony IMX273	Mono	Bare board	N/A	90°	14205
1800 U	158m	Sony IMX273	Mono	Open housing	S-Mount	Standard	14197
1800 U	158m	Sony IMX273	Mono	Open housing	CS-Mount	Standard	14196
1800 U	158m	Sony IMX273	Mono	Open housing	C-Mount	Standard	13876
1800 U	158m	Sony IMX273	Mono	Open housing	S-Mount	90°	14204
1800 U	158m	Sony IMX273	Mono	Open housing	CS-Mount	90°	14203
1800 U	158m	Sony IMX273	Mono	Open housing	C-Mount	90°	14202
1800 U	158m	Sony IMX273	Mono	Closed housing	S-Mount	Standard	14186
1800 U	158m	Sony IMX273	Mono	Closed housing	CS-Mount	Standard	14185
1800 U	158m	Sony IMX273	Mono	Closed housing	C-Mount	Standard	14184
1800 U	158m	Sony IMX273	Mono	Closed housing	S-Mount	90°	14192
1800 U	158m	Sony IMX273	Mono	Closed housing	CS-Mount	90°	14191
1800 U	158m	Sony IMX273	Mono	Closed housing	C-Mount	90°	14190
1800 U	158c	Sony IMX273	Color	Bare board	N/A	Standard	14201
1800 U	158c	Sony IMX273	Color	Bare board	N/A	90°	14209
1800 U	158c	Sony IMX273	Color	Open housing	S-Mount	Standard	14200
1800 U	158c	Sony IMX273	Color	Open housing	CS-Mount	Standard	14199
1800 U	158c	Sony IMX273	Color	Open housing	C-Mount	Standard	13877
1800 U	158c	Sony IMX273	Color	Open housing	S-Mount	90°	14208
1800 U	158c	Sony IMX273	Color	Open housing	CS-Mount	90°	14207
1800 U	158c	Sony IMX273	Color	Open housing	C-Mount	90°	14206
1800 U	158c	Sony IMX273	Color	Closed housing	S-Mount	Standard	14189
1800 U	158c	Sony IMX273	Color	Closed housing	CS-Mount	Standard	14188
1800 U	158c	Sony IMX273	Color	Closed housing	C-Mount	Standard	14187
1800 U	158c	Sony IMX273	Color	Closed housing	S-Mount	90°	14195
1800 U	158c	Sony IMX273	Color	Closed housing	CS-Mount	90°	14194
1800 U	158c	Sony IMX273	Color	Closed housing	C-Mount	90°	14193

Table 28: Product codes for Alvium 1800 U-158m/c cameras

Alvium 1800 U-319m/c

Family	Model	Sensor	Mono/color	Housing	Lens mount	USB connector	Product code
1800 U	319m	Sony IMX265	Mono	Bare board	N/A	Standard	15096
1800 U	319m	Sony IMX265	Mono	Bare board	N/A	90°	15110
1800 U	319m	Sony IMX265	Mono	Open housing	S-Mount	Standard	15106
1800 U	319m	Sony IMX265	Mono	Open housing	CS-Mount	Standard	15105
1800 U	319m	Sony IMX265	Mono	Open housing	C-Mount	Standard	15104
1800 U	319m	Sony IMX265	Mono	Open housing	S-Mount	90°	15114
1800 U	319m	Sony IMX265	Mono	Open housing	CS-Mount	90°	15119
1800 U	319m	Sony IMX265	Mono	Open housing	C-Mount	90°	15118
1800 U	319m	Sony IMX265	Mono	Closed housing	S-Mount	Standard	15100
1800 U	319m	Sony IMX265	Mono	Closed housing	CS-Mount	Standard	15099
1800 U	319m	Sony IMX265	Mono	Closed housing	C-Mount	Standard	15098
1800 U	319m	Sony IMX265	Mono	Closed housing	S-Mount	90°	15120
1800 U	319m	Sony IMX265	Mono	Closed housing	CS-Mount	90°	15113
1800 U	319m	Sony IMX265	Mono	Closed housing	C-Mount	90°	15112
1800 U	319c	Sony IMX265	Color	Bare board	N/A	Standard	15097
1800 U	319c	Sony IMX265	Color	Bare board	N/A	90°	15111
1800 U	319c	Sony IMX265	Color	Open housing	S-Mount	Standard	15109
1800 U	319c	Sony IMX265	Color	Open housing	CS-Mount	Standard	15108
1800 U	319c	Sony IMX265	Color	Open housing	C-Mount	Standard	15107
1800 U	319c	Sony IMX265	Color	Open housing	S-Mount	90°	15123
1800 U	319c	Sony IMX265	Color	Open housing	CS-Mount	90°	15122
1800 U	319c	Sony IMX265	Color	Open housing	C-Mount	90°	15121
1800 U	319c	Sony IMX265	Color	Closed housing	S-Mount	Standard	15103
1800 U	319c	Sony IMX265	Color	Closed housing	CS-Mount	Standard	15102
1800 U	319c	Sony IMX265	Color	Closed housing	C-Mount	Standard	15101
1800 U	319c	Sony IMX265	Color	Closed housing	S-Mount	90°	15117
1800 U	319c	Sony IMX265	Color	Closed housing	CS-Mount	90°	15116
1800 U	319c	Sony IMX265	Color	Closed housing	C-Mount	90°	15115

Table 29: Product codes for Alvium 1800 U-319m/c cameras

Alvium 1800 U-500m/c

Family	Model	Sensor	Mono/color	Housing	Lens mount	USB connector	Product code
1800 U	500m	ON Semiconductor AR0521SR	Mono	Bare board	N/A	Standard	12904
1800 U	500m	ON Semiconductor AR0521SR	Mono	Bare board	N/A	90°	12896
1800 U	500m	ON Semiconductor AR0521SR	Mono	Open housing	S-Mount	Standard	12905
1800 U	500m	ON Semiconductor AR0521SR	Mono	Open housing	CS-Mount	Standard	12906
1800 U	500m	ON Semiconductor AR0521SR	Mono	Open housing	C-Mount	Standard	12907
1800 U	500m	ON Semiconductor AR0521SR	Mono	Open housing	S-Mount	90°	12897
1800 U	500m	ON Semiconductor AR0521SR	Mono	Open housing	CS-Mount	90°	12898
1800 U	500m	ON Semiconductor AR0521SR	Mono	Open housing	C-Mount	90°	12899
1800 U	500m	ON Semiconductor AR0521SR	Mono	Closed housing	S-Mount	Standard	13618
1800 U	500m	ON Semiconductor AR0521SR	Mono	Closed housing	CS-Mount	Standard	13619
1800 U	500m	ON Semiconductor AR0521SR	Mono	Closed housing	C-Mount	Standard	13620
1800 U	500m	ON Semiconductor AR0521SR	Mono	Closed housing	S-Mount	90°	13624
1800 U	500m	ON Semiconductor AR0521SR	Mono	Closed housing	CS-Mount	90°	13625
1800 U	500m	ON Semiconductor AR0521SR	Mono	Closed housing	C-Mount	90°	13626
1800 U	500c	ON Semiconductor AR0521SR	Color	Bare board	N/A	Standard	12908
1800 U	500c	ON Semiconductor AR0521SR	Color	Bare board	N/A	90°	12900
1800 U	500c	ON Semiconductor AR0521SR	Color	Open housing	S-Mount	Standard	12909
1800 U	500c	ON Semiconductor AR0521SR	Color	Open housing	CS-Mount	Standard	12910
1800 U	500c	ON Semiconductor AR0521SR	Color	Open housing	C-Mount	Standard	12911
1800 U	500c	ON Semiconductor AR0521SR	Color	Open housing	S-Mount	90°	12901
1800 U	500c	ON Semiconductor AR0521SR	Color	Open housing	CS-Mount	90°	12902
1800 U	500c	ON Semiconductor AR0521SR	Color	Open housing	C-Mount	90°	12903
1800 U	500c	ON Semiconductor AR0521SR	Color	Closed housing	S-Mount	Standard	13621
1800 U	500c	ON Semiconductor AR0521SR	Color	Closed housing	CS-Mount	Standard	13622
1800 U	500c	ON Semiconductor AR0521SR	Color	Closed housing	C-Mount	Standard	13623
1800 U	500c	ON Semiconductor AR0521SR	Color	Closed housing	S-Mount	90°	13883
1800 U	500c	ON Semiconductor AR0521SR	Color	Closed housing	CS-Mount	90°	13884
1800 U	500c	ON Semiconductor AR0521SR	Color	Closed housing	C-Mount	90°	13885

Table 30: Product codes for Alvium 1800 U-500m/c cameras

Alvium 1800 U-501m NIR

Family	Model	Sensor	Mono/color	Housing	Lens mount	USB connector	Product code
1800 U	501m NIR	ON Semiconductor AR0522	Mono	Bare board	N/A	Standard	14612
1800 U	501m NIR	ON Semiconductor AR0522	Mono	Bare board	N/A	90°	14619
1800 U	501m NIR	ON Semiconductor AR0522	Mono	Open housing	S-Mount	Standard	14618
1800 U	501m NIR	ON Semiconductor AR0522	Mono	Open housing	CS-Mount	Standard	14617
1800 U	501m NIR	ON Semiconductor AR0522	Mono	Open housing	C-Mount	Standard	14616
1800 U	501m NIR	ON Semiconductor AR0522	Mono	Open housing	S-Mount	90°	14625
1800 U	501m NIR	ON Semiconductor AR0522	Mono	Open housing	CS-Mount	90°	14624
1800 U	501m NIR	ON Semiconductor AR0522	Mono	Open housing	C-Mount	90°	14623
1800 U	501m NIR	ON Semiconductor AR0522	Mono	Closed housing	S-Mount	Standard	14615
1800 U	501m NIR	ON Semiconductor AR0522	Mono	Closed housing	CS-Mount	Standard	14614
1800 U	501m NIR	ON Semiconductor AR0522	Mono	Closed housing	C-Mount	Standard	14613
1800 U	501m NIR	ON Semiconductor AR0522	Mono	Closed housing	S-Mount	90°	14622
1800 U	501m NIR	ON Semiconductor AR0522	Mono	Closed housing	CS-Mount	90°	14621
1800 U	501m NIR	ON Semiconductor AR0522	Mono	Closed housing	C-Mount	90°	14620

Table 31: Product codes for Alvium 1800 U-501m NIR cameras

Alvium 1800 U-507m/c

Family	Model	Sensor	Mono/color	Housing	Lens mount	USB connector	Product code
1800 U	507m	Sony IMX264	Mono	Bare board	N/A	Standard	14632
1800 U	507m	Sony IMX264	Mono	Bare board	N/A	90°	14646
1800 U	507m	Sony IMX264	Mono	Open housing	S-Mount	Standard	On request ¹
1800 U	507m	Sony IMX264	Mono	Open housing	CS-Mount	Standard	On request ¹
1800 U	507m	Sony IMX264	Mono	Open housing	C-Mount	Standard	14640
1800 U	507m	Sony IMX264	Mono	Open housing	S-Mount	90°	On request ¹
1800 U	507m	Sony IMX264	Mono	Open housing	CS-Mount	90°	On request ¹
1800 U	507m	Sony IMX264	Mono	Open housing	C-Mount	90°	14654
1800 U	507m	Sony IMX264	Mono	Closed housing	S-Mount	Standard	On request ¹
1800 U	507m	Sony IMX264	Mono	Closed housing	CS-Mount	Standard	On request ¹
1800 U	507m	Sony IMX264	Mono	Closed housing	C-Mount	Standard	14634
1800 U	507m	Sony IMX264	Mono	Closed housing	S-Mount	90°	On request ¹
1800 U	507m	Sony IMX264	Mono	Closed housing	CS-Mount	90°	On request ¹
1800 U	507m	Sony IMX264	Mono	Closed housing	C-Mount	90°	14648
1800 U	507c	Sony IMX264	Color	Bare board	N/A	Standard	14633
1800 U	507c	Sony IMX264	Color	Bare board	N/A	90°	14647
1800 U	507c	Sony IMX264	Color	Open housing	S-Mount	Standard	On request ¹
1800 U	507c	Sony IMX264	Color	Open housing	CS-Mount	Standard	On request ¹
1800 U	507c	Sony IMX264	Color	Open housing	C-Mount	Standard	14643
1800 U	507c	Sony IMX264	Color	Open housing	S-Mount	90°	On request ¹
1800 U	507c	Sony IMX264	Color	Open housing	CS-Mount	90°	On request ¹
1800 U	507c	Sony IMX264	Color	Open housing	C-Mount	90°	14657
1800 U	507c	Sony IMX264	Color	Closed housing	S-Mount	Standard	On request ¹
1800 U	507c	Sony IMX264	Color	Closed housing	CS-Mount	Standard	On request ¹
1800 U	507c	Sony IMX264	Color	Closed housing	C-Mount	Standard	14637
1800 U	507c	Sony IMX264	Color	Closed housing	S-Mount	90°	On request ¹
1800 U	507c	Sony IMX264	Color	Closed housing	CS-Mount	90°	On request ¹
1800 U	507c	Sony IMX264	Color	Closed housing	C-Mount	90°	14651

¹For this mount, typical lenses do not support high-quality imaging for the corresponding sensor. Therefore, we do not offer this option.

Table 32: Product codes for Alvium 1800 U-507m/c cameras

Alvium 1800 U-1236m/c

Family	Model	Sensor	Mono/color	Housing	Lens mount	USB connector	Product code
1800 U	1236m	Sony IMX304	Mono	Bare board	N/A	Standard	14696
1800 U	1236m	Sony IMX304	Mono	Bare board	N/A	90°	14710
1800 U	1236m	Sony IMX304	Mono	Open housing	S-Mount	Standard	On request ¹
1800 U	1236m	Sony IMX304	Mono	Open housing	CS-Mount	Standard	On request ¹
1800 U	1236m	Sony IMX304	Mono	Open housing	C-Mount	Standard	15704
1800 U	1236m	Sony IMX304	Mono	Open housing	S-Mount	90°	On request ¹
1800 U	1236m	Sony IMX304	Mono	Open housing	CS-Mount	90°	On request ¹
1800 U	1236m	Sony IMX304	Mono	Open housing	C-Mount	90°	14718
1800 U	1236m	Sony IMX304	Mono	Closed housing	S-Mount	Standard	On request ¹
1800 U	1236m	Sony IMX304	Mono	Closed housing	CS-Mount	Standard	On request ¹
1800 U	1236m	Sony IMX304	Mono	Closed housing	C-Mount	Standard	14968
1800 U	1236m	Sony IMX304	Mono	Closed housing	S-Mount	90°	On request ¹
1800 U	1236m	Sony IMX304	Mono	Closed housing	CS-Mount	90°	On request ¹
1800 U	1236m	Sony IMX304	Mono	Closed housing	C-Mount	90°	14712
1800 U	1236c	Sony IMX304	Color	Bare board	N/A	Standard	14697
1800 U	1236c	Sony IMX304	Color	Bare board	N/A	90°	14711
1800 U	1236c	Sony IMX304	Color	Open housing	S-Mount	Standard	On request ¹
1800 U	1236c	Sony IMX304	Color	Open housing	CS-Mount	Standard	On request ¹
1800 U	1236c	Sony IMX304	Color	Open housing	C-Mount	Standard	14707
1800 U	1236c	Sony IMX304	Color	Open housing	S-Mount	90°	On request ¹
1800 U	1236c	Sony IMX304	Color	Open housing	CS-Mount	90°	On request ¹
1800 U	1236c	Sony IMX304	Color	Open housing	C-Mount	90°	14721
1800 U	1236c	Sony IMX304	Color	Closed housing	S-Mount	Standard	On request ¹
1800 U	1236c	Sony IMX304	Color	Closed housing	CS-Mount	Standard	On request ¹
1800 U	1236c	Sony IMX304	Color	Closed housing	C-Mount	Standard	14701
1800 U	1236c	Sony IMX304	Color	Closed housing	S-Mount	90°	On request ¹
1800 U	1236c	Sony IMX304	Color	Closed housing	CS-Mount	90°	On request ¹
1800 U	1236c	Sony IMX304	Color	Closed housing	C-Mount	90°	14715

¹For this mount, typical lenses do not support high-quality imaging for the corresponding sensor. Therefore, we do not offer this option.

Table 33: Product codes for Alvium 1800 U-1236m/c cameras

Alvium 1800 U-2050m/c

Family	Model	Sensor	Mono/color	Housing	Lens mount	USB connector	Product code
1800 U	2050m	Sony IMX183	Mono	Bare board	N/A	Standard	14870
1800 U	2050m	Sony IMX183	Mono	Bare board	N/A	90°	14575
1800 U	2050m	Sony IMX183	Mono	Open housing	S-Mount	Standard	On request ¹
1800 U	2050m	Sony IMX183	Mono	Open housing	CS-Mount	Standard	On request ¹
1800 U	2050m	Sony IMX183	Mono	Open housing	C-Mount	Standard	14873
1800 U	2050m	Sony IMX183	Mono	Open housing	S-Mount	90°	On request ¹
1800 U	2050m	Sony IMX183	Mono	Open housing	CS-Mount	90°	On request ¹
1800 U	2050m	Sony IMX183	Mono	Open housing	C-Mount	90°	14878
1800 U	2050m	Sony IMX183	Mono	Closed housing	S-Mount	Standard	On request ¹
1800 U	2050m	Sony IMX183	Mono	Closed housing	CS-Mount	Standard	On request ¹
1800 U	2050m	Sony IMX183	Mono	Closed housing	C-Mount	Standard	14871
1800 U	2050m	Sony IMX183	Mono	Closed housing	S-Mount	90°	On request ¹
1800 U	2050m	Sony IMX183	Mono	Closed housing	CS-Mount	90°	On request ¹
1800 U	2050m	Sony IMX183	Mono	Closed housing	C-Mount	90°	14876
1800 U	2050c	Sony IMX183	Color	Bare board	N/A	Standard	14829
1800 U	2050c	Sony IMX183	Color	Bare board	N/A	90°	14839
1800 U	2050c	Sony IMX183	Color	Open housing	S-Mount	Standard	On request ¹
1800 U	2050c	Sony IMX183	Color	Open housing	CS-Mount	Standard	On request ¹
1800 U	2050c	Sony IMX183	Color	Open housing	C-Mount	Standard	14836
1800 U	2050c	Sony IMX183	Color	Open housing	S-Mount	90°	On request ¹
1800 U	2050c	Sony IMX183	Color	Open housing	CS-Mount	90°	On request ¹
1800 U	2050c	Sony IMX183	Color	Open housing	C-Mount	90°	14846
1800 U	2050c	Sony IMX183	Color	Closed housing	S-Mount	Standard	On request ¹
1800 U	2050c	Sony IMX183	Color	Closed housing	CS-Mount	Standard	On request ¹
1800 U	2050c	Sony IMX183	Color	Closed housing	C-Mount	Standard	14832
1800 U	2050c	Sony IMX183	Color	Closed housing	S-Mount	90°	On request ¹
1800 U	2050c	Sony IMX183	Color	Closed housing	CS-Mount	90°	On request ¹
1800 U	2050c	Sony IMX183	Color	Closed housing	C-Mount	90°	14842

¹For this mount, typical lenses do not support high-quality imaging for the corresponding sensor. Therefore, we do not offer this option.

Table 34: Product codes for Alvium 1800 U-2050m/c cameras