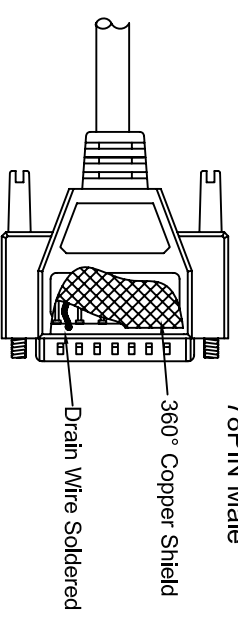
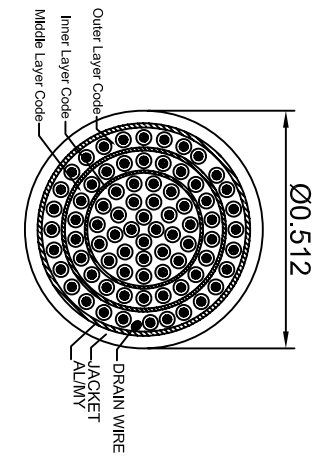
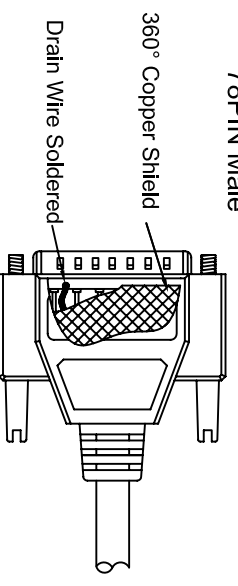
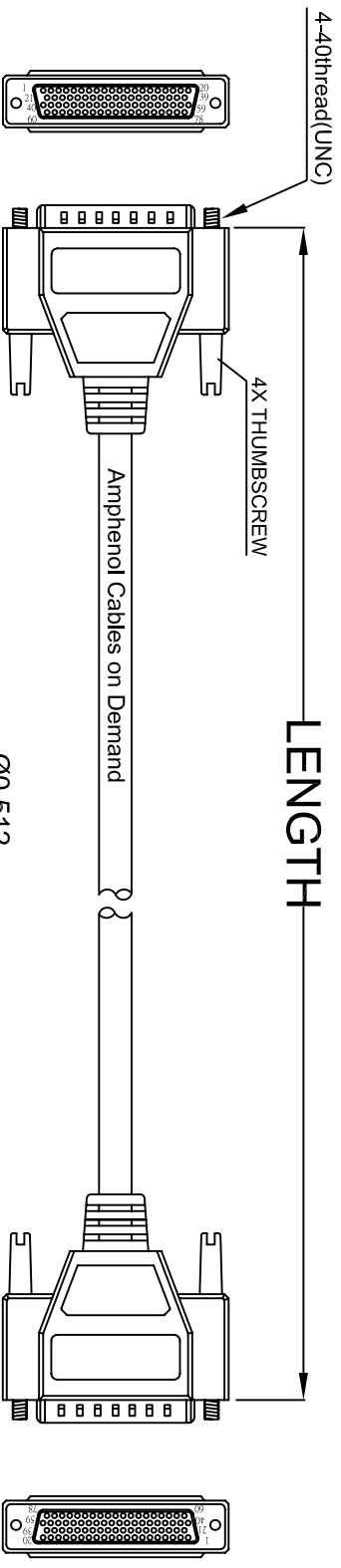


THE INFORMATION CONTAINED IN THIS DRAWING IS THE SOLE PROPERTY OF AMPHENOL CABLES ON DEMAND. ANY REPRODUCTION OR DISCLOSURE TO THIRD PARTIES, IN PART OR WHOLE, WITHOUT THE EXPRESS WRITTEN PERMISSION OF AMPHENOL CABLES ON DEMAND IS PROHIBITED.

REV.	DESCRIPTION	DATE	APPROVED
A	NEW RELEASE	03/01/07	
A1	ADD WIRING COLOR	16/JAN/2012	



PIN OUT:		Inner Layer Code		Middle Layer Code		Outer Layer Code	
Male	Male	Male	Male	Male	Male	Male	Male
Color	Color	Color	Color	Color	Color	Color	Color
PIN1	Black	PIN29	Black	PIN51	Black		
PIN2	Brown	PIN30	Brown	PIN52	Brown		
PIN3	Red	PIN31	Red	PIN53	Red		
PIN4	Orange	PIN32	Orange	PIN54	Orange		
PIN5	Yellow	PIN33	Yellow	PIN55	Yellow		
PIN6	Green	PIN34	Green	PIN56	Green		
PIN7	Blue	PIN35	Blue	PIN57	Blue		
PIN8	Purple	PIN36	Purple	PIN58	Purple		
PIN9	Gray	PIN37	Gray	PIN59	Gray		
PIN10	White	PIN38	White	PIN60	White		
PIN11	Pink	PIN39	Pink	PIN61	Pink		
PIN12	Light Green	PIN40	Light Green	PIN62	Light Green		
PIN13	Black/White	PIN41	Black/White	PIN63	Black/White		
PIN14	Brown/White	PIN42	Brown/White	PIN64	Brown/White		
PIN15	Red/White	PIN43	Red/White	PIN65	Red/White		
PIN16	Orange/White	PIN44	Orange/White	PIN66	Orange/White		
PIN17	Green/White	PIN45	Green/White	PIN67	Green/White		
PIN18	Blue/White	PIN46	Blue/White	PIN68	Blue/White		
PIN19	Purple/White	PIN47	Purple/White	PIN69	Purple/White		
PIN20	Red/Black	PIN48	Red/Black	PIN70	Red/Black		
PIN21	Orange/Black	PIN49	Orange/Black	PIN71	Orange/Black		
PIN22	Yellow/Black	PIN50	Yellow/Black	PIN72	Yellow/Black		
PIN23	Green/Black			PIN73	Green/Black		
PIN24	Gray/Black			PIN74	Gray/Black		
PIN25	Pink/Black			PIN75	Pink/Black		
PIN26	Pink/Red			PIN76	Pink/Red		
PIN27	Pink/Blue			PIN77	Pink/Blue		
PIN28	Pink/Green			PIN78	Pink/Green		
				SHIELD	SHIELD		
					Drain Wire		

LENGTH & P/N Table

LENGTH	P/N	Cable Color
2.5FT ±1 inch	CS-DSDHD78MM0-002.5	GREY
5FT ±2 inch	CS-DSDHD78MM0-005	GREY
10FT ±3 inch	CS-DSDHD78MM0-010	GREY
25FT ±4 inch	CS-DSDHD78MM0-025	GREY



UNLESS OTHERWISE SPECIFIED DIMENSIONS ARE IN INCHES TOLERANCES ARE:

DESCRIPTORS	±X	±XX	±XXX	ANGLES	±X°	±X'
LENGTH	±.01	±.005	±.002			
ANGLE	±.01	±.005	±.002			

THIRD ANGLE PROJECTION

APPROVALS	DATE	SIZE	DWG. NO.	REV.
LF	16/JAN/2012	A	CS-DSDHD78MM0-XXX	A1
BA	16/JAN/2012			

Amphenol Cables on Demand
20 VALLEY ST. ENDCOTT, NY 13760

ASM CBL Deluxe High Density
78PIN D-Sub MM

CS-DSDHD78MM0-XXX

SCALE SHEET OF

NOTES: UNLESS OTHERWISE SPECIFIED