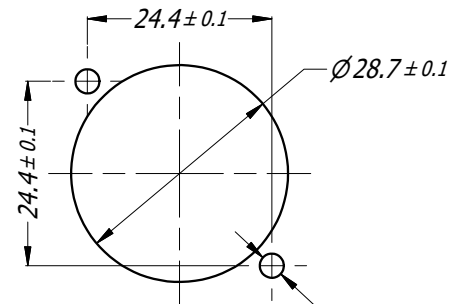


3D VIEW
1:1



PANEL CUTOUT

NOTES:
 - USE #4 OR M3 SCREW.
 - TIGHTEN TO 0.35 N-m (3.1 lb-in)

UNLESS OTHERWISE SPECIFIED TOLERANCE TO BE		THIS DOCUMENT IS THE PROPERTY OF AMPHENOL AUSTRALIA PTY. LTD. NO PART THEREOF MAY BE REPRODUCED AND USED WITHOUT THE PRIOR WRITTEN CONSENT OF THE OWNER.				Amphenol		Amphenol Australia Pty.Ltd, 22 Industry Blvd Carrum Downs, VIC 3201	
LINEAR		ANGULAR		MATERIAL:	DRN: T.N	DATE: 19/07/17	TITLE:	PART No:	REV
X ± 0.5	X' ± 1				CKD: P.M	DATE: 19/07/17	PROTECTIVE CAP	HPT-CAPF	1
X.X ± 0.1	X.X' ± 30'				APP'D: P.M	DATE: 19/07/17	HPT SERIES FEMALE P/M	DRAWING No.	SHEET
X.XX ± 0.05	X.XX" ± 15'				SCALE: 1:1	SIZE: A4	BEADED CHAIN	55011250-000-4	3/4
BREAK ALL SHARP EDGES AND REMOVE ALL BURRS		DO NOT SCALE		FINISH:					
DIMENSIONS IN MILLIMETRES		THIRD ANGLE PROJECTION							