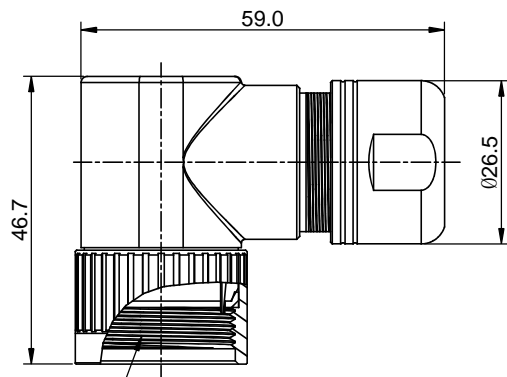
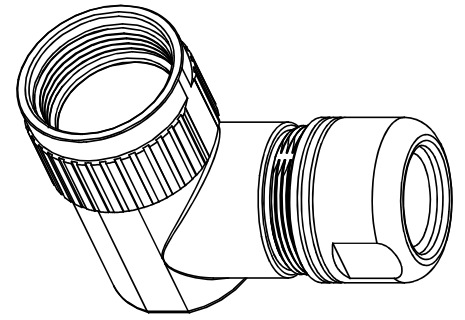
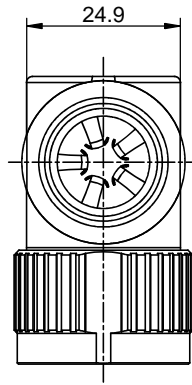


REVISIONS					
REV	ECO	DESCRIPTION	DATE	BY	APPR
B1	-	RELEASED DRAWING	JUN-26-2014	BEN	TOMMY



15/16-20 UNEF THREAD



NOTES : (UNLESS OTHERWISE SPECIFIED)

1. MATERIAL :
 - 1.1. METAL NUT : AL ALLOY , NICKEL PLATED.
 - 1.2. GASKET : SILICONE RUBBER.
 - 1.3. METAL CLIP : STAINLESS STEEL.
 - 1.4. BACK SHELL : ZINC ALLOY, NICKEL PLATED.
 - 1.5. EMI SHIELDING RING : STAINLESS STEEL.
 - 1.6. O-RING : SILICONE RUBBER.
 - 1.7. GROMMET : RUBBER.
 - 1.8. CLAMP INSERT : THERMOPLASTIC UL94 V-0.
 - 1.9. END NUT : ZINC ALLOY , NICKEL PLATED.
2. ROHS COMPLIANT.
3. ALL DIMENSIONS ARE FOR REFERENCE USE ONLY.

P/N	SHIELDING RING	CABLE RANGE
RT0B-16CG-C1	WITHOUT	Ø9.0-Ø14.5mm
RT0B-16CG-C2	WITHOUT	Ø13.5-Ø17.0mm
RT0B-16CG-S1	WITH	Ø9.0-Ø14.5mm
RT0B-16CG-S2	WITH	Ø13.5-Ø17.0mm

QUANTITY	PART NUMBER	DESCRIPTION	ITEM
MATERIALS LIST			
UNLESS OTHERWISE SPECIFIED 1) All dimensions are in metric(mm). 2) Tolerances are as follows: 1 PL DEC ±0.30 Fractions ±1/64 2 PL DEC ±0.15 Angles ±1° 3 PL DEC ±0.08 3) Note reference =		SIGNATURES DRAWN: BEN CHECKED: ENGINEER: APPROVAL:	DATE JUN-26-2014
MATERIAL SPECIFICATIONS: THIS DRAWING IS SUPPLIED FOR INFORMATION ONLY. DESIGN FEATURES, SPECIFICATIONS AND PERFORMANCE DATA SHOWN HEREON ARE THE PROPERTY OF THE AMPHENOL CORPORATION. NO RIGHTS OF REPRODUCTION ARE IMPLIED. ALL DIMENSIONS ARE SUBJECT TO NORMAL MANUFACTURING VARIATIONS.		Amphenol Sine Systems - www.amphenol-sine.com 44724 Morley Drive Clinton Township, MI 48036	
PROCESS SPECIFICATIONS: NEXT ASSY:		CUSTOMER: ECO-MATE, ANGLE 90°, CORD GRIP, SIZE 16	SIZE: B C- TYPE: NONE DWG NO: RT0B-16CG-xx REVISION: B1 SCALE: NONE SHEET 1 OF 1

TITLE: ECO-MATE, ANGLE 90° CORD GRIP, SIZE 16
 DWG NO: RT0B-16CG-xx
 REV: B1
 SH: 1
 OF: 1