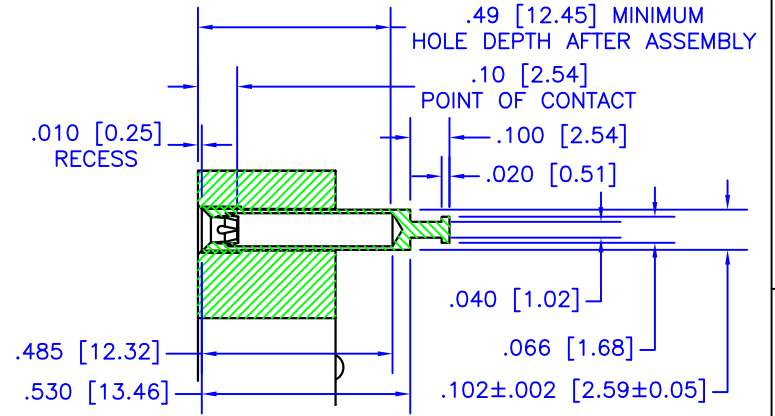
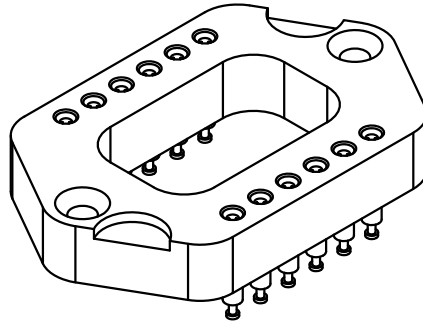
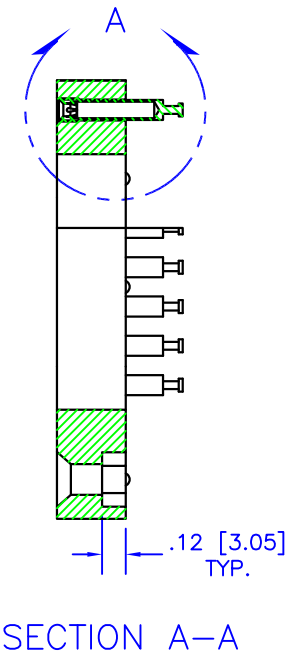
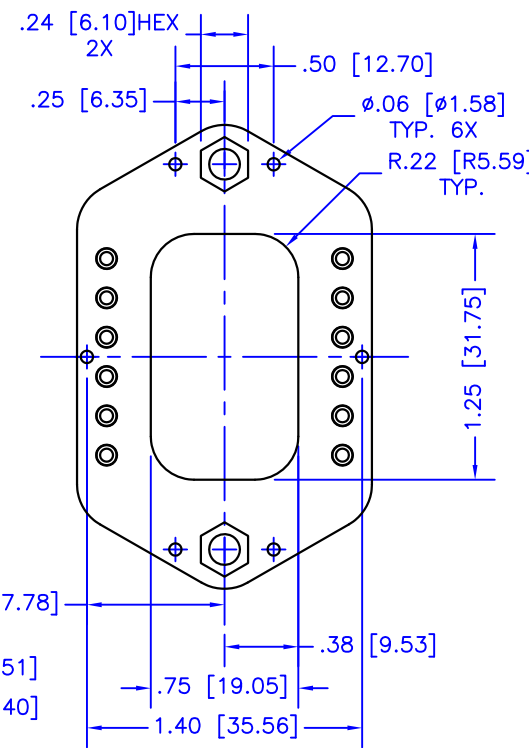
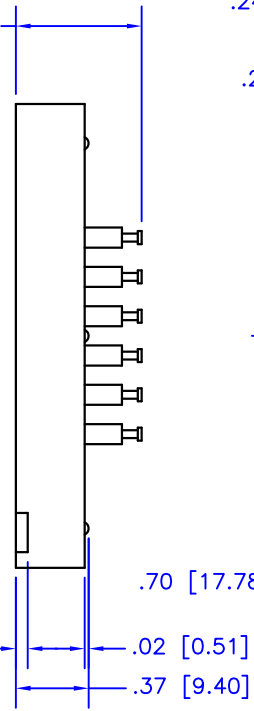
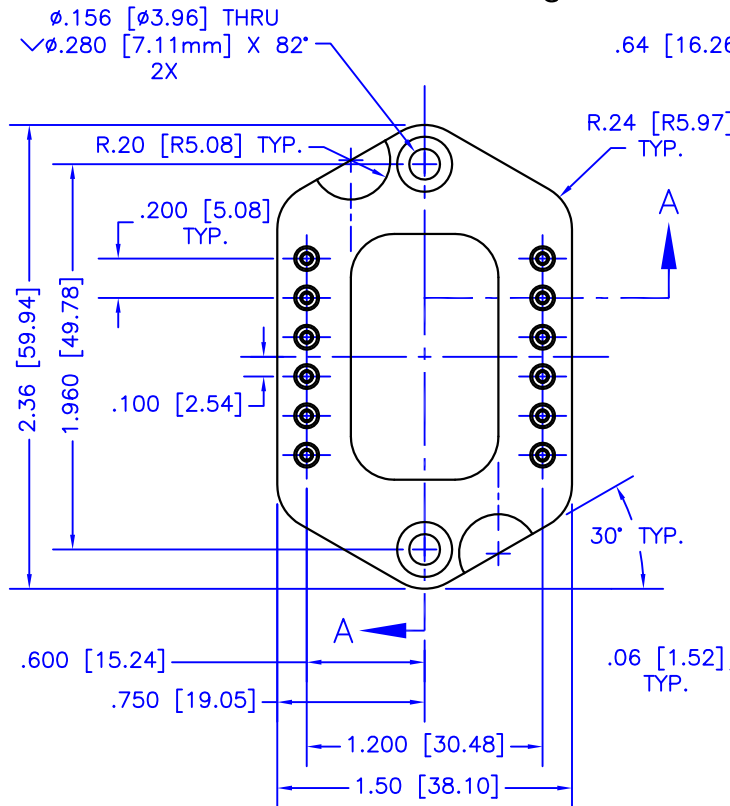


NOTES:

1. Dimensions are in inches & [mm].
2. Socket body: Glass-filled polyester, 94 VO rating, green in color
3. Receptacle shell: 360 brass, with 200 μin tin over 100 μin nickel
4. Receptacle contacts: Beryllium copper with 30 μin gold over 50 μin nickel
5. The continuous temperature rating of the socket shall be 150° C.
6. Contact resistance: 20 milliohms or less.



DETAIL A
SCALE 2:1



SECTION A-A

TOLERANCES - UNLESS OTHERWISE SPECIFIED		TITLE: POWER DIP SOCKET				MODEL: MS05	
.XX = ±.01 [.254]		SUBJECT: MECHANICAL DRAWING					
.XXX = ±.005 [.127]		ENGINEER: D-M	DRAWN BY: R.MOR	DCAL: 13242	SPL: 1 OF 1	FILENAME: MS05	REV: F
ANG. = ±5°		APEX MICROTECHNOLOGY PRECISION POWER ANALOG				DATE: 03JUN13	