

ATTENUATOR CHIP

**DC - 18 GHz
PCAAW**



MODELS: PCAA-W-X, PCAA-W-TX, PCAA-W-HX, PCAA-W-GX

SPECIFICATIONS:

Electrical:

Frequency Range _____ DC - 18 GHz
 Nominal Impedance _____ 50 Ohms
 Standard dB Values _____ 0 thru 20 dB
 Attenuation Accuracy (dB)

| dB Value | DC-4 GHz | 4-8 GHz | 8-12.4 GHz | 12.4-18 GHz |
|----------|----------|---------|------------|-------------|
| 0 | +0.5/-0 | +0.5/-0 | +0.5/-0 | +0.5/-0 |
| 1-3 | ±0.5 | ±0.5 | ±0.5 | ±0.5 |
| 4-6 | ±0.5 | ±0.5 | ±0.5 | ±0.75 |
| 7-10 | ±0.5 | ±0.5 | ±0.75 | ±1.00 |
| 11-15 | ±0.75 | +0.5/-3 | +0.5/-4 | |
| 16-20 | ±1.00 | +0.5/-4 | | |

VSWR

DC - 4 GHz _____ 1.25:1 Max.
 4 - 8 GHz _____ 1.35:1 Max.
 8 - 18 GHz _____ 1.50:1 Max.

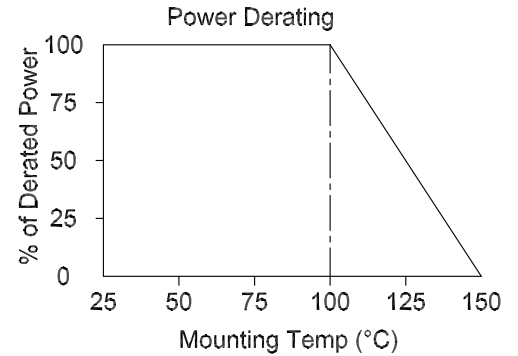
Rated Power (Mounted Circuit side up or down)

| dB Value | Watts | dB Value | Watts |
|----------|-------|----------|-------|
| 0 | 4.0 | 10 | 1.0 |
| 1 | 4.0 | 12 | 0.75 |
| 2 | 2.0 | 15 | 0.75 |
| 3 | 2.0 | 20 | 0.75 |
| 6 | 1.0 | | |

Attenuation Stability _____ 0.0001 dB/dB/°C
 Operating Temp. Range _____ -55°C to +150°C

Mechanical:

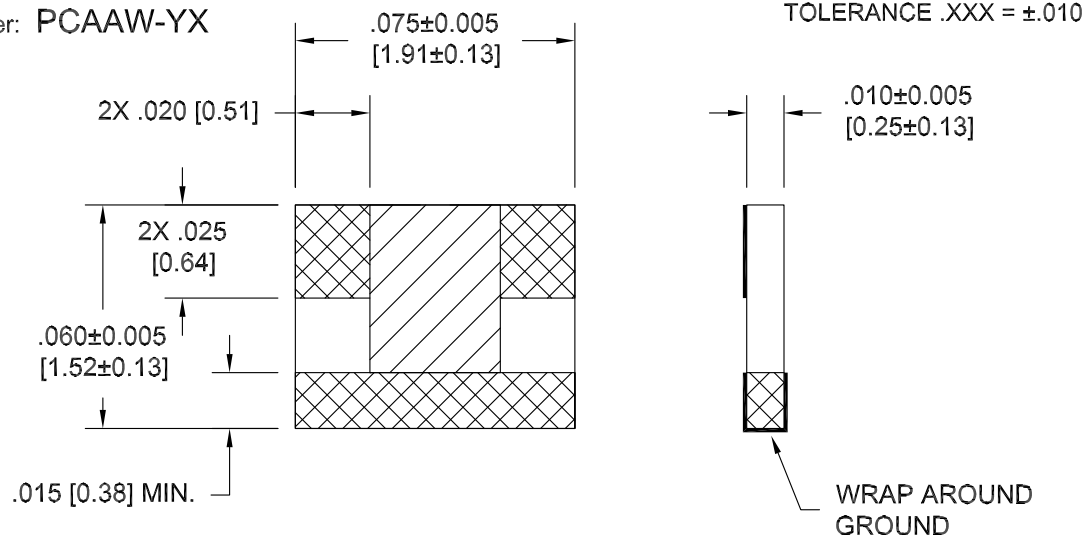
Substrate _____ Alumina
 Solderable Terminals _____ Electroplated Silver over Nickel
 See "How to Order" for Tinning & other options



HOW TO ORDER:

Model Number: **PCAAW-YX**
 Terminal Options
 = Silver over Nickel
 T = Tin Lead Solder
 H = Lead Free Solder
 G = Gold Plated
 dB Value _____

Model Number: **PCAAW-YX**



Note: Dimensions in Brackets are Expressed in Millimeters and are for Reference Only.
 Design specifications are subject to change without notice.