

100W Constant Voltage LED Driver LEDU(W)V-100 series

FEATURES

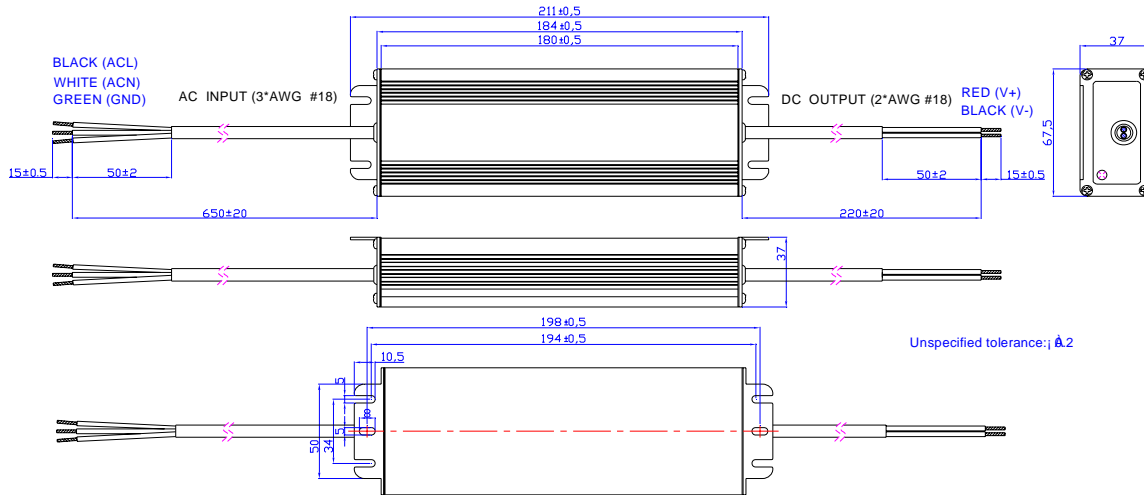
- Ultra High Efficiency (Up to 93%)
- Active Power Factor Correction
- Waterproof (IP67)
- Lightning Protection
- Over Voltage, Over Temp., Short Circuit & Over current Protection
- Comply UL8750 & EN61347 Safety Regulations
- Very High MTBF & Life Time



SPECIFICATION

Model		LEDU(W)V-100S012ST	LEDU(W)V-100S024ST	LEDU(W)V-100S036ST	LEDU(W)V-100S042ST	LEDU(W)V-100S048ST	LEDU(W)V-100S054ST	LEDU(W)V-100S081ST	LEDU(W)V-100S105ST	
Output	Voltage	12 Vdc	24 Vdc	36 Vdc	42 Vdc	48 Vdc	54 Vdc	81 Vdc	105 Vdc	
	Max. Current	8.33 A	4.05 A	2.75 A	2.35 A	1.95 A	1.75 A	1.23 A	0.95 A	
	Rated Power	100 W	100 W	100 W	100 W	100 W	100 W	100 W	100 W	
	Voltage Tolerance	±5%								
	Ripple & Noise (max.) (2)	1.5% Vo								
	Current Range (Min - Max)	0 - 8.33 A	0 - 4.05 A	0 - 2.75A	0 - 2.35 A	0 - 1.95 A	0 - 1.75 A	0 - 1.23 A	0 - 0.95 A	
	Line Regulation	1%								
	Load Regulation	2%								
	Setup, Rise Time	0.6S @ 110 VAC or 0.3S @ 220 VAC								
	Output Overshoot / Undershoot	10% When Power On or Off								
Input	Voltage Range	U (Universal Input) = 90V ~ 264VAC Or W (Wide Range Input) = 90V ~305VAC								
	Frequency Range	47Hz / 63Hz								
	Power Factor Correction	0.99 @ 110 VAC and 0.96 at 220 VAC								
	Efficiency (Typ.) at 230Vac	91%	93%	93%	93%	92%	92%	93%	93%	
	Inrush Current	65A @ 230VAC Input and 25°C								
	AC Current (Typ.)	1.2A / 100VAC				0.6A / 220VAC				
Protections	Short Circuit Protection	Protection type : Hiccup mode, recovers automatically after fault condition is removed								
	Over Temperature Protection	110°C max. temp. of components inside the case								
	Over Current Protection	135% Io (Typ.) Protection type : Hiccup mode, recovers automatically after fault condition is removed								
	Over Voltage (Typ.)	15 V	30 V	47 V	52 V	59 V	68 V	95 V	125 V	
Environmental	Temperature Range	Operational	-35°C ~ 70°C							
		Storage	- 40 ~ +85°C							
	Humidity	Operational	10 ~ 100% RH							
		Storage	5 ~100% R.H							
Safety & EMC	Safety Standards	UL8750 compliance to UL1310 Class 2 UL1012 UL935, CSA-C22.2 (No. 0, No 107.1, No. 250.0)								
	No load Power Dissipation	≤1.5W								
	Withstand Voltage	I/P - O/P: 3KVAC (4242 DC) I/P - FG: 1.5KVAC (2121 DC) O/P-FG: 0.5KVAC (707 DC), 1 minute								
	Isolation Resistance	I/P - O/P, I/P - FG, O/P - FG: 100M Ohms / 500VDC								
	EMI Conduction & Radiation	EN55015 with 6db margin								
	CE	EN 61347-1, EN61347-2-13								
	EMS Immunity	EN61000-3-2 , EN61000-3-3, EN61000-4-2, EN61000-4-3, EN61000-4-4, EN61000-4-5 EN61000-4-6, EN61000-4-8, EN61000-4-11, EN 61547								
Others	MTBF (3)	439K HRS Compliance: MIL-HDBK-217F @ 25°C ambient temp.								
	Life Time (3)	96,000 hours @ 45°C ambient temp.								
	Dimension (L*W*H)	184*67.5*37 (mm) - 7.24*2.66*1.46 (inch)								
	Weight	950 g - 2.09Lbs								

Mechanical Specification

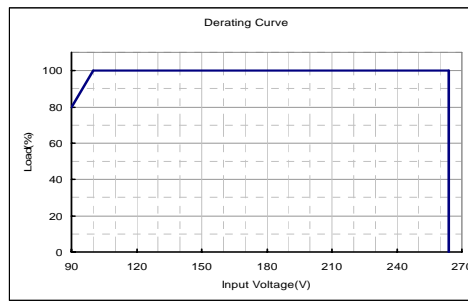
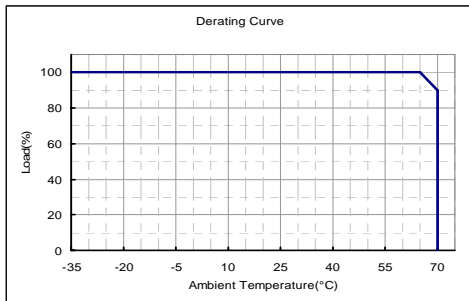


PIN ASSIGNMENT		
CONNECTION	AC	DC
	Input	Output
PIN 1	LINE (Black)	+V (Red)
PIN 2	NEUTRAL (White)	-V (Black)
PIN 3	GROUND (Green)	
Connector	Flying lead (stripped and tinned)	

SHIPPING SPECIFICATIONS			
Series	UNITS PER CARTON	CARTON WEIGHT	
LEDU(W)V-100	20.0	24Kg	52.91Lbs
INDIVIDUAL BOX DIMENSION		WIDTH	LENGTH
Series	inch	7.09	2.68
LEDU(W)V-100	mm	180.0	68.0
			HEIGHT
			37.0

Model	LEDU(W)V-120S012ST	LEDU(W)V-120S024ST	LEDU(W)V-120S036ST	LEDU(W)V-120S042ST	LEDU(W)V-120S048ST	LEDU(W)V-120S054ST	LEDU(W)V-120S081ST	LEDU(W)V-120S105ST
Efficiency @ Full Load and 115VAC (min)	88%	90%	89%	90%	89%	90%	90%	90%
Efficiency @ Full Load and 115VAC (typ)	89%	91%	90%	91%	90%	91%	91%	91%
Efficiency @ Full Load and 230VAC (min)	89%	92%	92%	92%	91%	91%	92%	92%
Efficiency @ Full Load and 230VAC (typ)	91%	93%	93%	93%	92%	92%	93%	93%

Derating Curve



NOTES:

1. Measured at full load, 220VAC input and 25°C of ambient temperature.
2. Ripple & noise are measured at 20MHz of bandwidth oscilloscope and the output paralleled a 0.1uf ceramic capacitor & 10 uf electrolytic capacitor.
3. For 54V output model, measured at 110VAC input, 80%load and 25°C of ambient temperature.
4. For 54V output model, measured at 220VAC input, 80%load and 45°C of ambient temperature.
5. All parameters NOT specially mentioned are measured at 220VAC input, rated load and 25°C of ambient temperature.
6. Specifications are subject to change without notice. AUTECH cannot be held liable for errors or omissions or the consequences thereof.
7. A suffix -XXXX may be added to denote variation or modifications to the base product, where X can be any alphanumeric character or blank