

■ **Features**

- Power Rating: 320W
- Input Voltage: 120-277Vac or 127-420Vdc
- Constant voltage design
- Output current (0mA-13300mA)
- 0-10V/PWM/Timer/DALI/DMX (Optional) Dimming
- Dim to Off with 0.5W Standby Power
- High-Efficiency @ 90% and above
- 12V 300mA Auxiliary power to power controllers and fans (optional)
- UL Class P, Type HL
- Optional External Thermal Protection NTC
- OVP, SCP, & OTP
- IP67
- 5+ year warranty
- Surge Immunity 6kV
- Compact case



*Product images are for illustrative purposes only and may vary from actual design.

■ **Application**

- Strip lights, Landscape lights, Bay lights, Street lights, Flood lights
- Horticultural lightings

■ **Model List***(See part number scheme for model number details)

Model Number	Input Voltage Range	Output Power	Output Voltage	Output Current Min	Output Current Max	Efficiency	Certification
LWA320-V024-XYZ-B	120-277Vac	320W	24Vdc	0	13300mA	87% @ 120Vac 90% @ 277Vac	UL/cUL
LWA320-V048-XYZ-B	120-277Vac	320W	48Vdc	0	6700mA	86.5% @ 120Vac 89.5% @ 277Vac	UL/cUL

Ordering Options	XY=	Dimming Method	Programmable	12Vaux	Dim-off
	NN	-	-	-	-
	DN	0-10V	-	-	√
	EN	0-10V	-	√	√
	AN	DALI	-	-	√
	MX	DMX	√	-	√
Cable Options	Z=	K=UL cable with ground wire (green), S=VDE cable/Class I, D=VDE cable/Class II			
External Thermal Protection NTC Option	-THR	LWA320-V024-XYZ-B-THR			

DMX Notes: Works with DMX-512 Presently. DMX Dimming range 10-100% (1% DMX command will be treated as 10% Dimming).

Note: Dimmable Constant Voltage Drivers Do NOT Support Switching DC-DC Regulator as Load

Technical Sales / Customer Service: +1-818-338-7788 • Email: sales@autec.com
31328 Via Colinas Suite 102 • Westlake Village, CA 91362 USA • www.autec.com

December 2, 2019

■ **Technical Data**

Input Voltage	120-277Vac or 127V-420Vdc
Input Frequency	47~63Hz
Power Factor	>0.9@60-100%load, refer to PF vs. Load curve
THD	<15%@60-100%load, refer to THD vs. Load curve
Input Current	2.9Amax@120Vac & Full-Load, 1.5Amax@220Vac & Full-Load
Inrush Current	65A peak, 1.2ms duration, <0.25A2s@230Vac, Cold Start 70A peak, 1.3ms duration, <0.5A2s@277Vac, Cold Start
Leakage Current	1mA max @277Vac 60Hz, UL8750, 0.75mAmax @220Vac 50Hz, IEC61347-1
Input Under Voltage	Shut down and auto-restart
Input Over Voltage	*Optional: Shutdown @320Vac
Surge Protection	Line to line 6kV, line to ground 4kV, IEC 61000-4-5
Current Accuracy	±3%lo
Ripple Current	Ip-p:5%Io max
Setup Time	1.2s max
Overshoot	10% Io max & LED Load
Output Over Voltage	120% Vomax, typ.
Short Circuit	Auto recovery. The output recovers when short is removed.
Over Temperature	Lower the output current when $T_c \geq 105 \pm 10^\circ\text{C}$; Auto Recovery When $T_c \leq 70 \pm 10^\circ\text{C}$ (relates to internal component temperature / optional settings are possible, contact Autec sales)
Operating Temperature	-40°C~+70°C; 10%RH~100%RH (See Derating Curve for more details)
Storage Temperature	-40°C~+85°C; 5%RH~100%RH
MTBF	≥280,000 hours, 75°C case temperature (MIL-HDBK-217F)
Lifetime	≥100,000 hours, 75°C case temperature, refer to life vs. Tc curve
Case Temperature	90°C max, marked in the Tc point of label
Dimensions	8.81x2.66x1.32 by inch (body), 9.88x2.66x1.32 by inch (endcaps included) 224 x 67.5 x 33.5 by mm (body), 251 x 67.5 x 33.5 by mm (endcaps included)
Net Weight	1600g
Packing	10pcs/Carton/19kg, 500x370x335mm

Notes: Unless specified, all the test results are measured in 25°C room temperature.

* Marked items are optional. Please contact Autec Sales to specify the required functions.

Disclaimer:

Autec Power Systems' (Autec) LED Drivers are Hi-Pot tested during the manufacturing process. Autec assumes no responsibility for secondary Hi-Pot testing at customer location or designated production line(s). Should customer require further Hi-Pot testing, at their own production line, following assembly of the LED Driver into the customer's assembled fixture, Autec requests advance notice. This request must be communicated to Autec in a timely manner and is recommended to be requested at time of issuing each purchase order.

Technical Sales / Customer Service: +1-818-338-7788 • Email: sales@autec.com
31328 Via Colinas Suite 102 • Westlake Village, CA 91362 USA • www.autec.com

December 2, 2019

■ Safety/EMC Compliance

Safety Standards	Description
UL8750	Light emitting diode(LED) equipment for use in lighting products
UL1012	Power units other than class 2
IEC 61347-1	Lamp control gear Part 1: general and safety requirements
IEC 61347-2-13	Lamp control gear Part 2-13: particular requirement for DC or AC supplied electronic control gear for LED modules
EMI Standards	Description
IEC 55015	Conducted emission test & radiated emission test
IEC 61000-3-2	Harmonic current emissions; Class C
IEC 61000-3-3	Voltage fluctuations & flicker
FCC Part 15	ANSI C63.4:2009 Class B
EMS Standards	Description
IEC 61000-4-2	Electrostatic discharge (ESD): 8 kV air discharge, 4 kV contact discharge
IEC 61000-4-3	Radio frequency electromagnetic field susceptibility test (RS)
IEC 61000-4-4	Electrical fast transient (EFT)
IEC 61000-4-5	Surge immunity test
IEC 61000-4-6	Conducted radio frequency disturbances test (CS)
IEC 61000-4-8	Power frequency magnetic field test
IEC 61000-4-11	Voltage dips
IEC 61547	Electromagnetic immunity requirements applies to lighting equipment

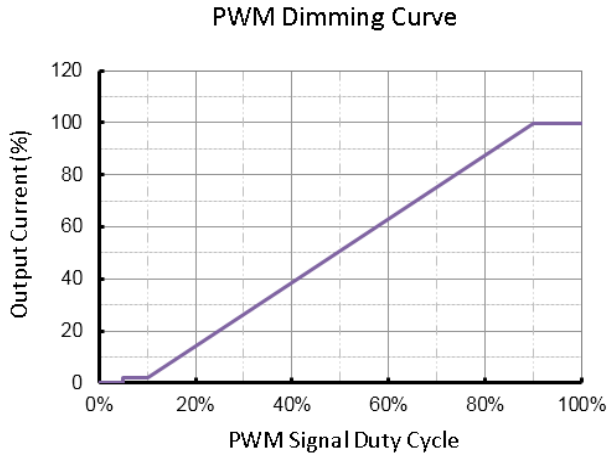
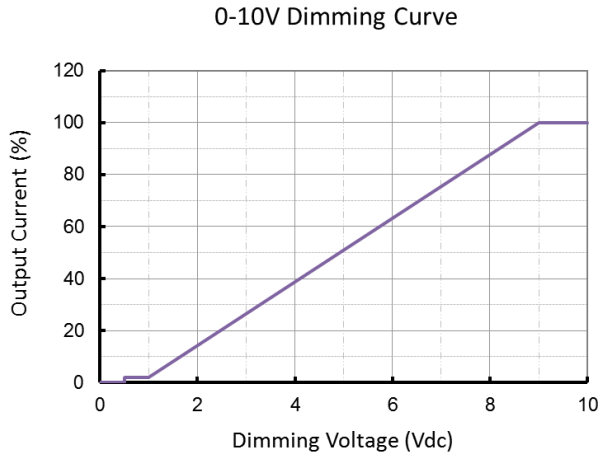
■ Dimming

Parameter	Min.	Typ.	Max.
Vdim Sourcing Current	200uA	300uA	450uA
Vdim Allowed Input Voltage	-20 V		20 V
0-10V Dimming Range	2% (Vdim=1V)	Linear	100% (Vdim=9~10V)
PWM Dimming Range	2% (Duty=10%)	Linear	100% (Duty=90-100%)
Dim-off threshold		0.5V or 5%	0.6V or 6%
Dim-on threshold	0.6V or 6%	0.7V or 7%	
PWM High	3V		10V
PWM Low	0V		0.6V
PWM Frequency	300Hz		2kHz
External PWM Controller Current Sinking Capability	300uA		
DALI Interface Standard		IEC62386	
DA1,DA2 High Level	9.5	16	22.5
DA1,DA2 Low Level	-6.5	0	6.5
DA1,DA2 Current	0		2mA

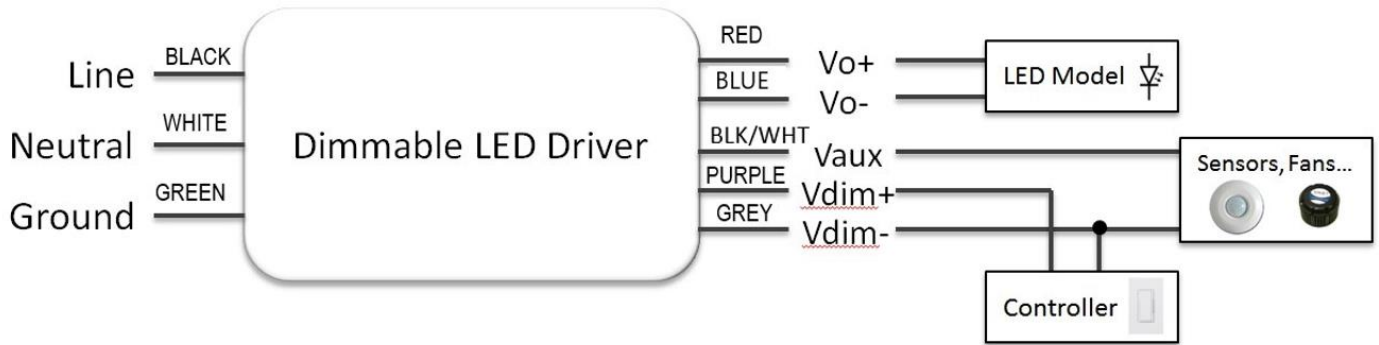
Technical Sales / Customer Service: +1-818-338-7788 • Email: sales@autec.com
 31328 Via Colinas Suite 102 • Westlake Village, CA 91362 USA • www.autec.com

December 2, 2019

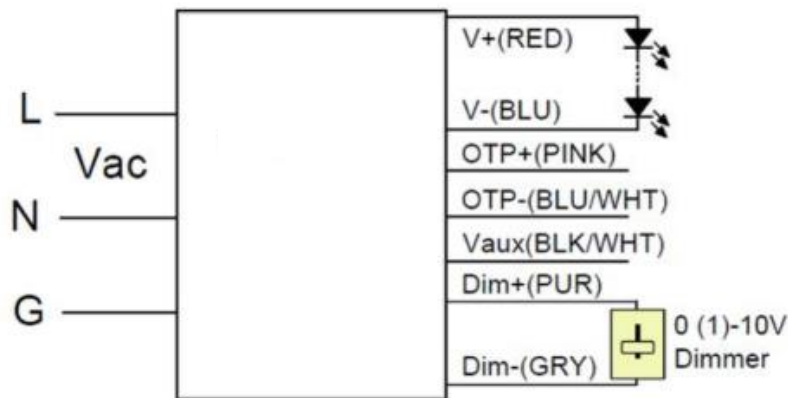
■ **Dimming Curve**



■ **Wiring Diagram**



■ **Wiring Diagram/Optional External Thermal Protection**



■ **External Thermal Protection Table(optional)**

Parameter		Min.	Typ.	Max.	Notes
External Thermal Protection NTC	R1	-	7.81 kOhm	-	When R_NTC falls below R1, External Thermal Protection is triggered, reducing output current until R2 is reached.
	R2	-	4.16 kOhm	-	When R_NTC is less than R2, output current is reduced to the programmed "Protection Current Floor."
	Protection Current Floor	10%loset	60%loset	100%loset	10%loset > I _{omin} (default setting is 60%)
I _{omin}		60%loset	100%loset	10%loset ≤ I _{omin} (default setting is 60%)	

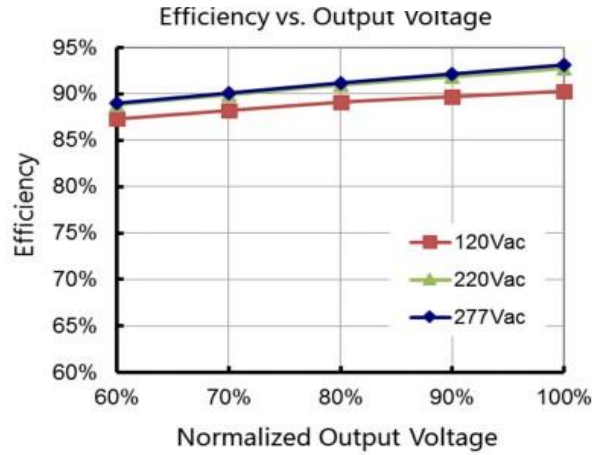
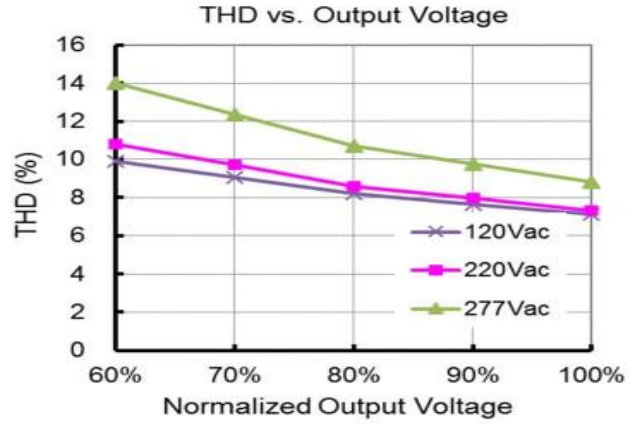
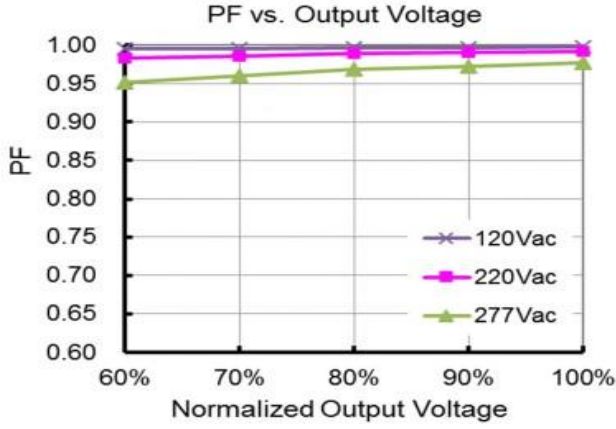
■ **Tc Location(LED Driver Label)**

***Contact Autec Sales for Tc Location**

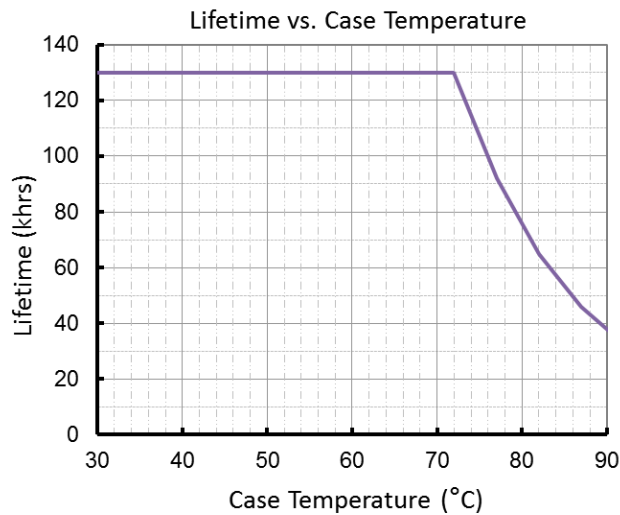
Technical Sales / Customer Service: +1-818-338-7788 • Email: sales@autec.com
 31328 Via Colinas Suite 102 • Westlake Village, CA 91362 USA • www.autec.com

December 2, 2019

■ **Power Factor/Efficiency/THD vs. Load**



■ **Lifetime vs. Case Temperature**

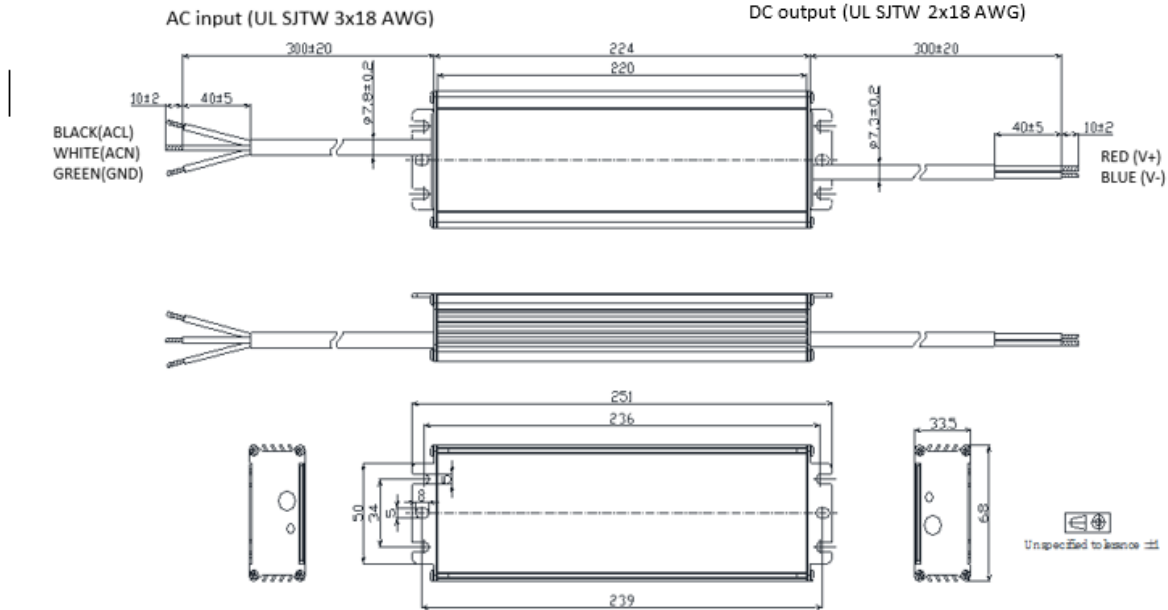


(End of Life: Maximum Failure Rate=10%)

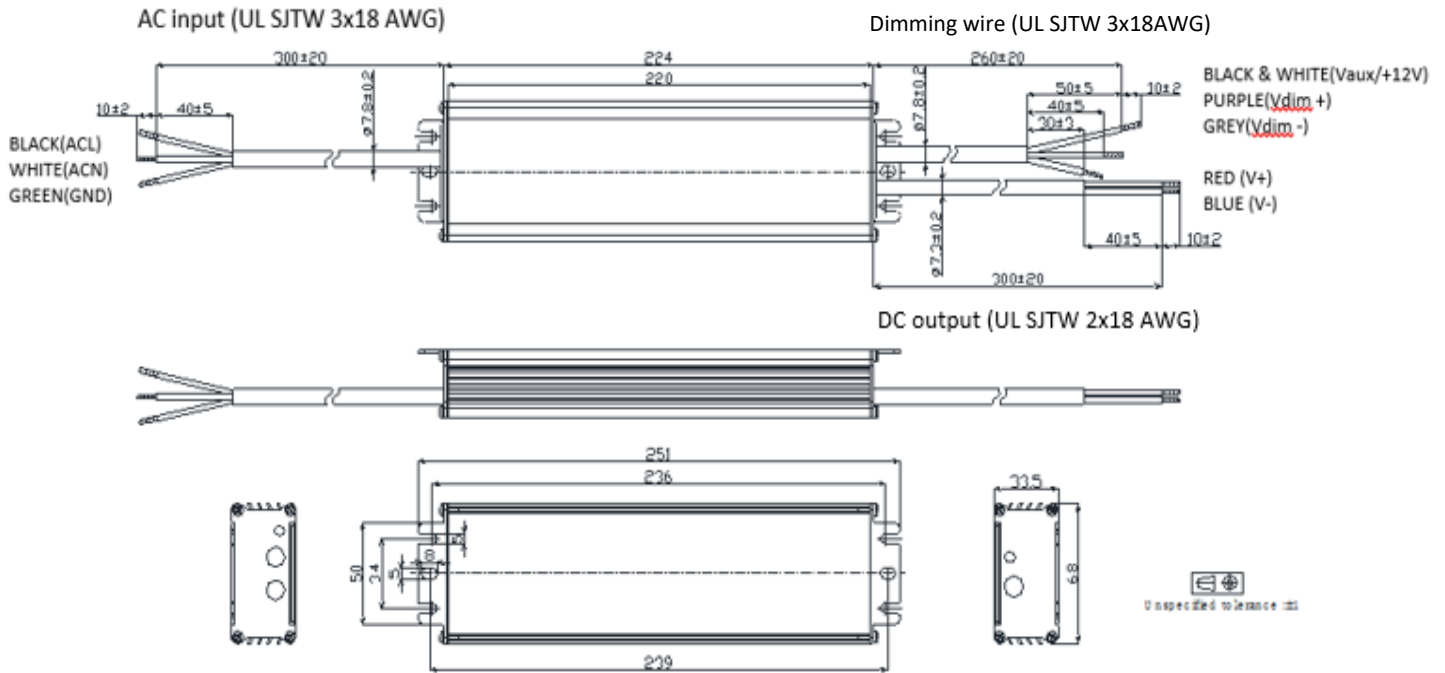
Technical Sales / Customer Service: +1-818-338-7788 • Email: sales@autec.com
 31328 Via Colinas Suite 102 • Westlake Village, CA 91362 USA • www.autec.com
 December 2, 2019

■ Mechanical Design

LWA320-Vxxx-NNK-B (UL Cable)



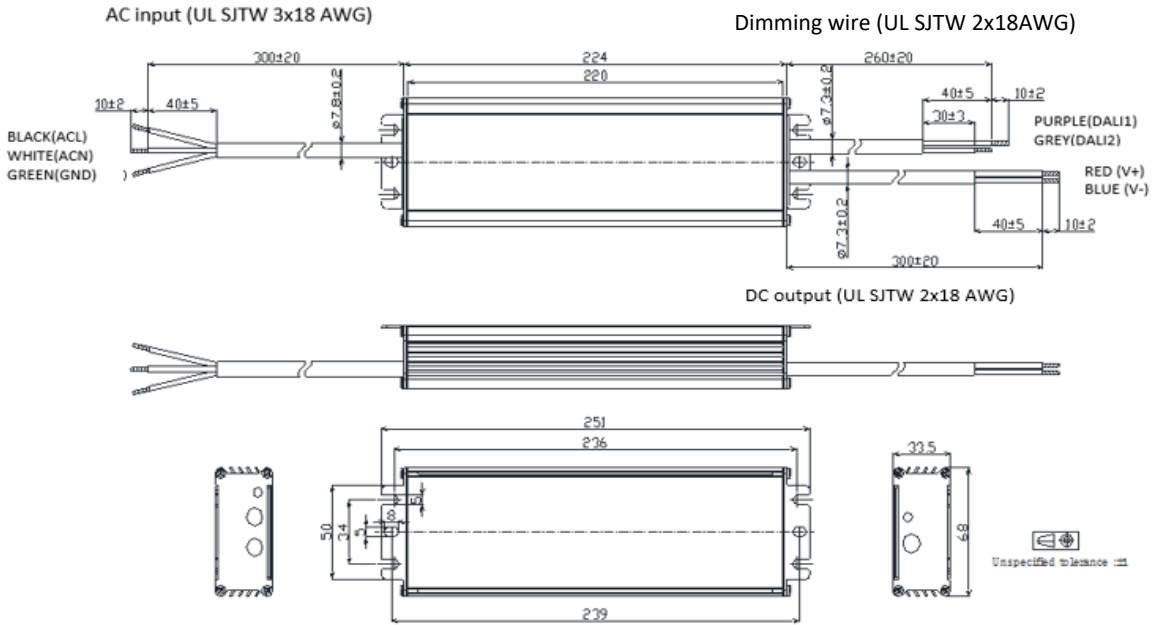
LWA320-Vxxx-ENK-B (UL Cable)



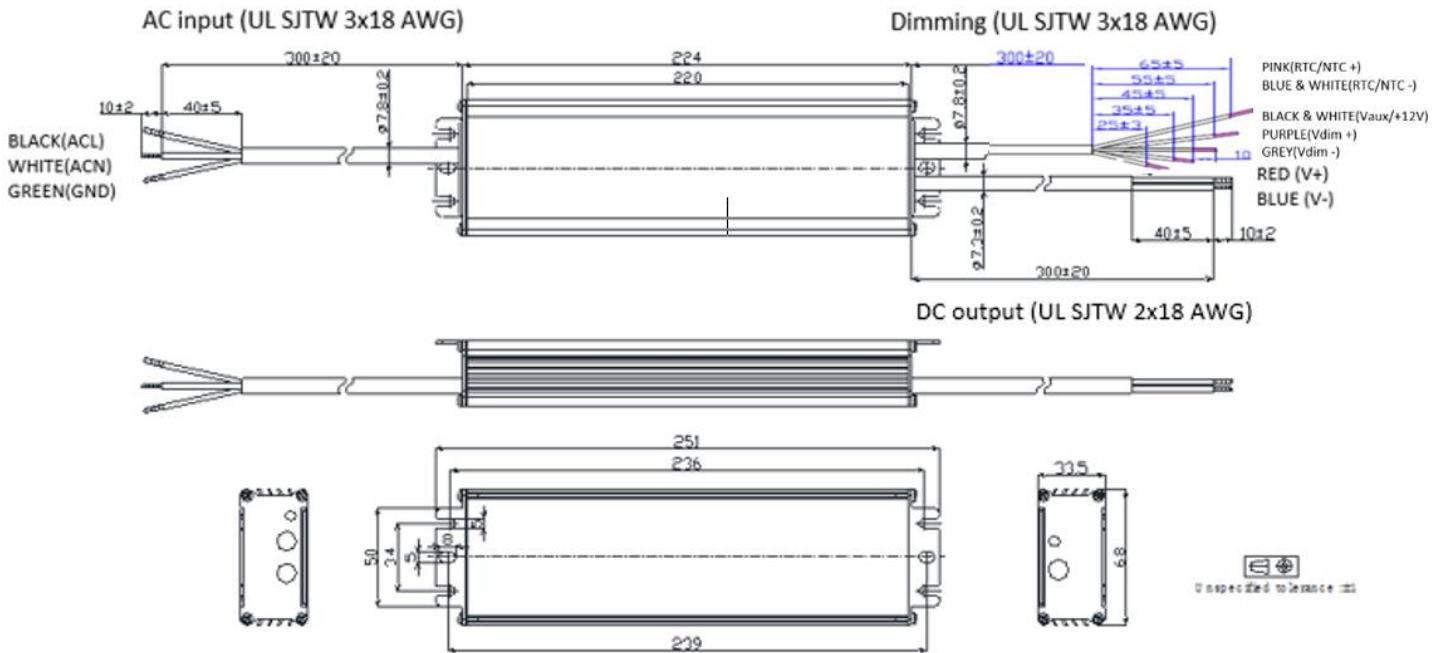
Technical Sales / Customer Service: +1-818-338-7788 • Email: sales@autec.com
31328 Via Colinas Suite 102 • Westlake Village, CA 91362 USA • www.autec.com

December 2, 2019

LWA320-Vxxx-ANK-B (UL Cable)



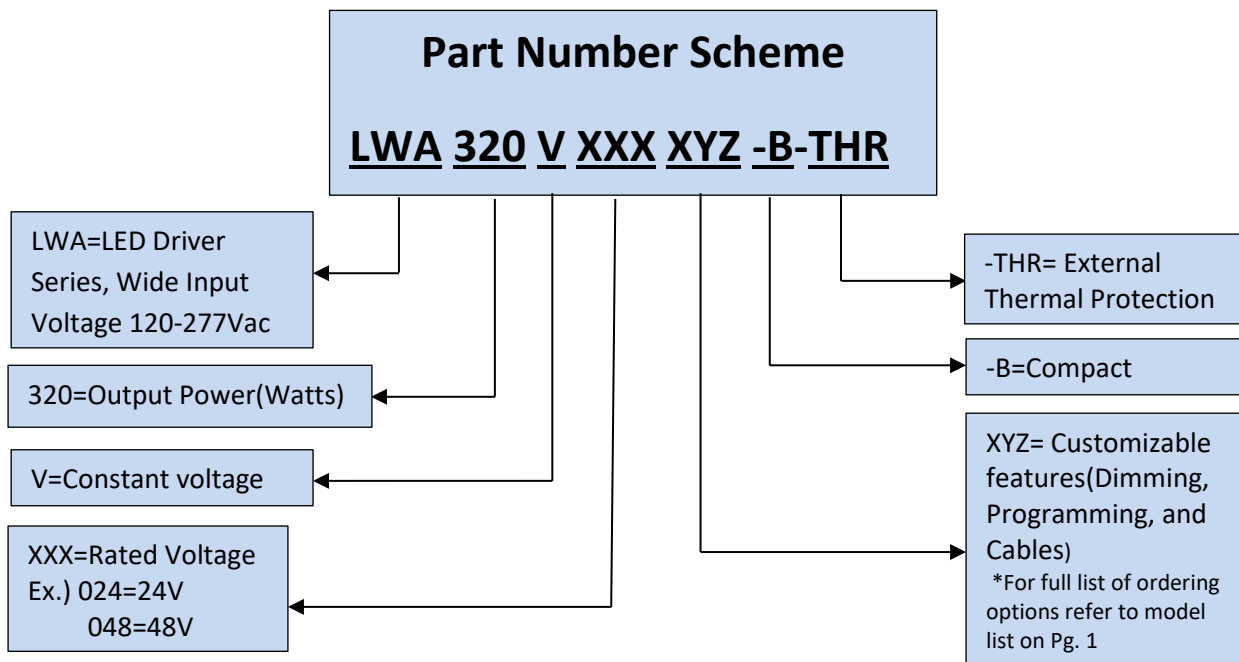
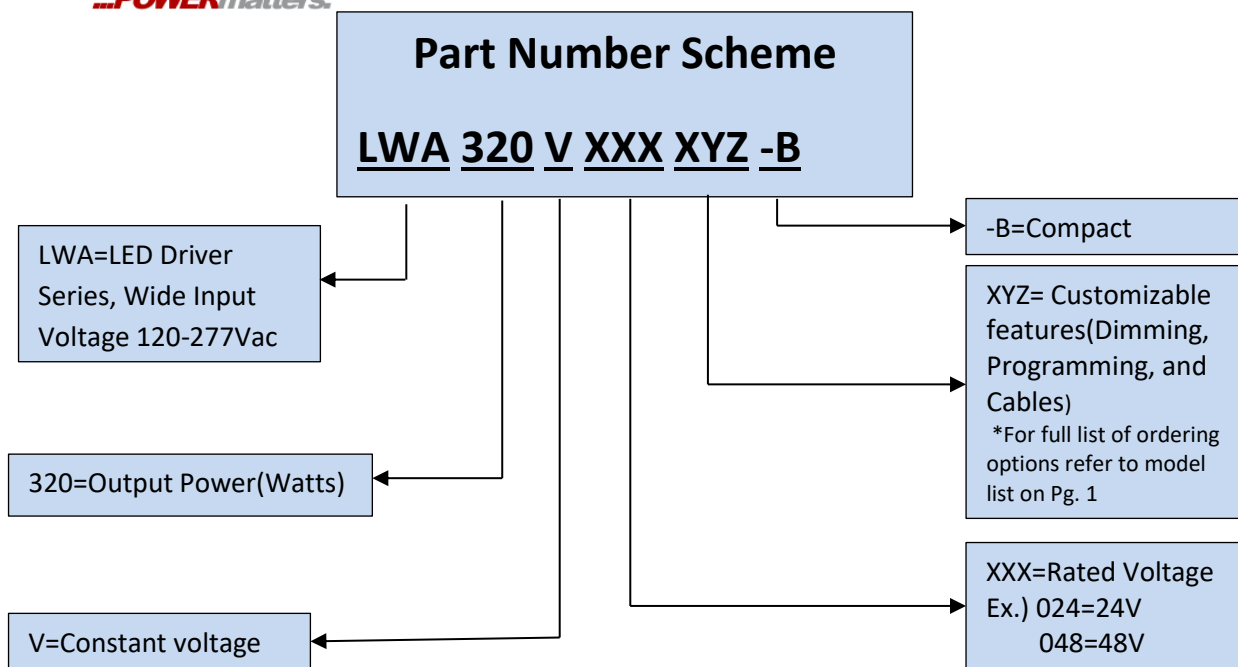
LWA320-Vxxx-ENK-THR (Optional Thermal Protection)



***Contact Autec Sales for non UL Mechanical Diagrams**

Technical Sales / Customer Service: +1-818-338-7788 • Email: sales@autec.com
31328 Via Colinas Suite 102 • Westlake Village, CA 91362 USA • www.autec.com

December 2, 2019



***Product images are for illustrative purposes only and may vary from actual design.**

***Specifications are subject to change without notice. Autec is not responsible for issues arising from errors or omissions.**

Technical Sales / Customer Service: +1-818-338-7788 • Email: sales@autec.com
31328 Via Colinas Suite 102 • Westlake Village, CA 91362 USA • www.autec.com

December 2, 2019