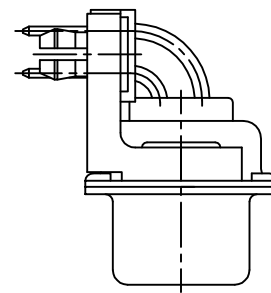
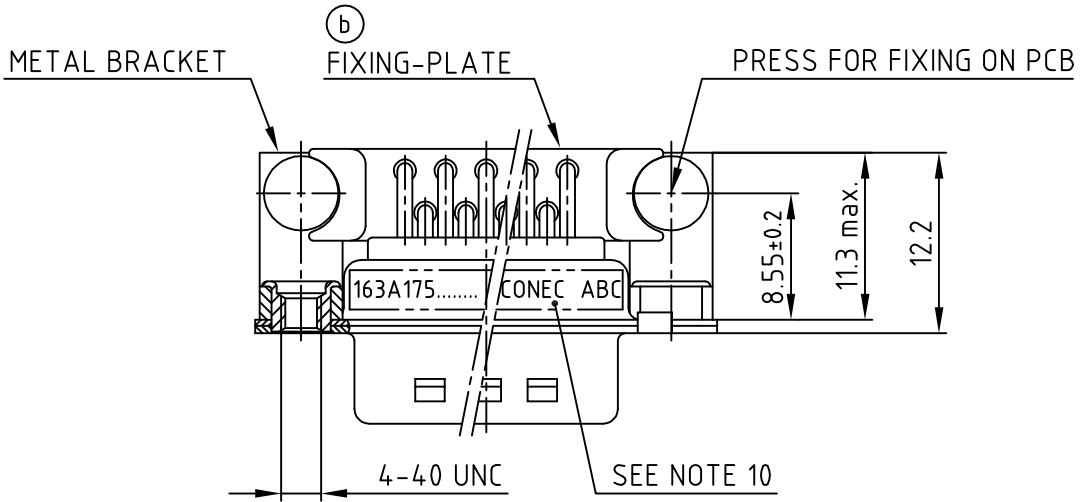
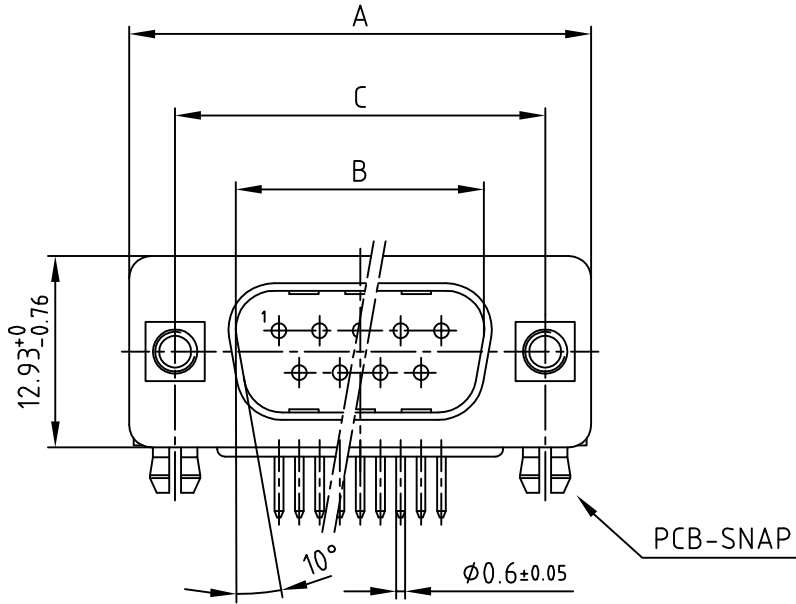
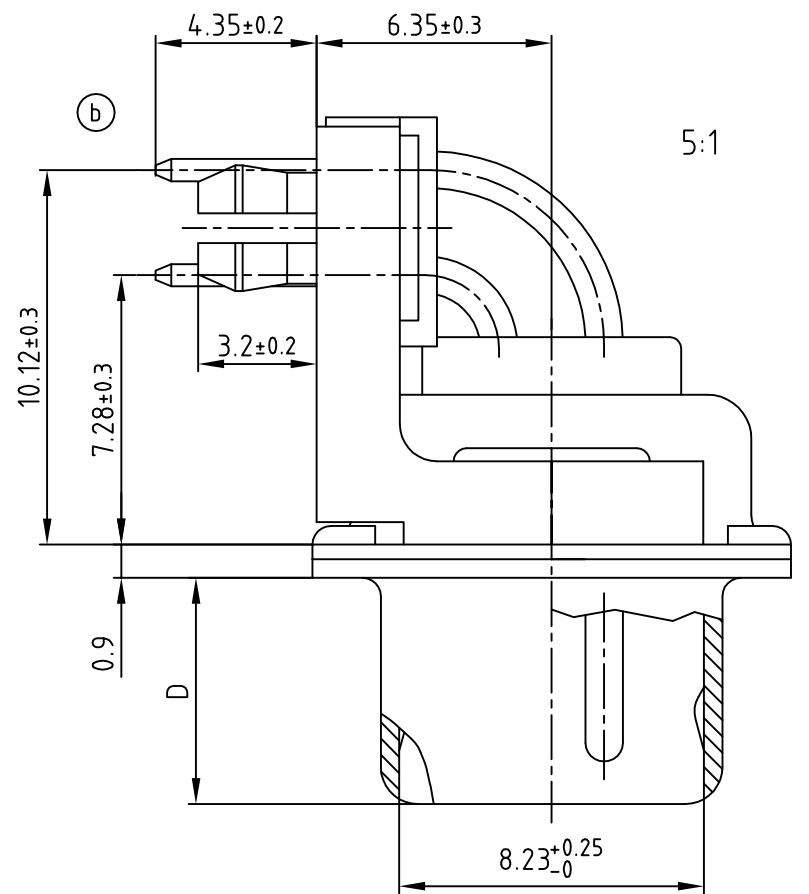


used for: D-SUB

POS.	A $-0.76$	B $+0.25$	C	D $-0.3$	PART-NO.
9	31.19	16.79	25.00 $+0.12$ $-0.13$	6.12	163A17529X
15	39.52	25.12	33.30 $+0.15$ $-0.1$	6.12	163A17539X
25	53.42	38.84	47.04 $\pm 0.13$	5.99	163A17549X
37	69.70	55.30	63.50 $\pm 0.13$	5.99	163A17559X



NOTES:

- METALSHELLS: STEEL; min. 315µin TIN over 40-80µin NICKEL
- INSULATORS: PBT GF UL 94 V-0; BLACK
- CONTACTS: COPPER ALLOY  
PLATING: GOLD FLASH over NICKEL
- METAL BRACKETS: ZINC DIE CAST; min. 300µin COPPER/ 40-120µin NICKEL/120-200µin TIN
- THREADED INSERTS: COPPER ALLOY; min. 200µin TIN over 80µin NICKEL
- PCB-SNAPS: COPPER ALLOY; min. 200µin TIN over 80µin NICKEL  
PCB-HOLE:  $\phi 3.1 \pm 0.1$ ; PCB THICKNESS 1.6mm
- FIXING-PLATE: PBT GF UL 94 V-0; BLACK
- P.C.B. HOLE DRILLINGS ON SHEET 2
- MAXIMUM TORQUE VALUE FOR THREAD: 6 in.LB
- CONNECTOR IS PART MARKED: PART-NO. CONEC ABC

Directive 2002/95/EC  
„RoHS“  
Compliant

APPROVAL # FREIGABE # DEBLOCAGE # AUTORIZACION # APPROVAL	
CUSTOMER APPROVAL DATE:	
NAME:	TITLE:
COMPANY NAME:	
APPROVAL # FREIGABE # DEBLOCAGE # AUTORIZACION # APPROVAL	

THIS DRAWING MAY NOT BE COPIED OR REPRODUCED IN ANY WAY, AND MAY NOT BE PASSED ON TO A THIRD PARTY WITHOUT WRITTEN PERMISSION.  
OWNERSHIP AND COPYRIGHT OF CONEC GmbH  
DO NOT ALTER CAD DRAWING BY HAND

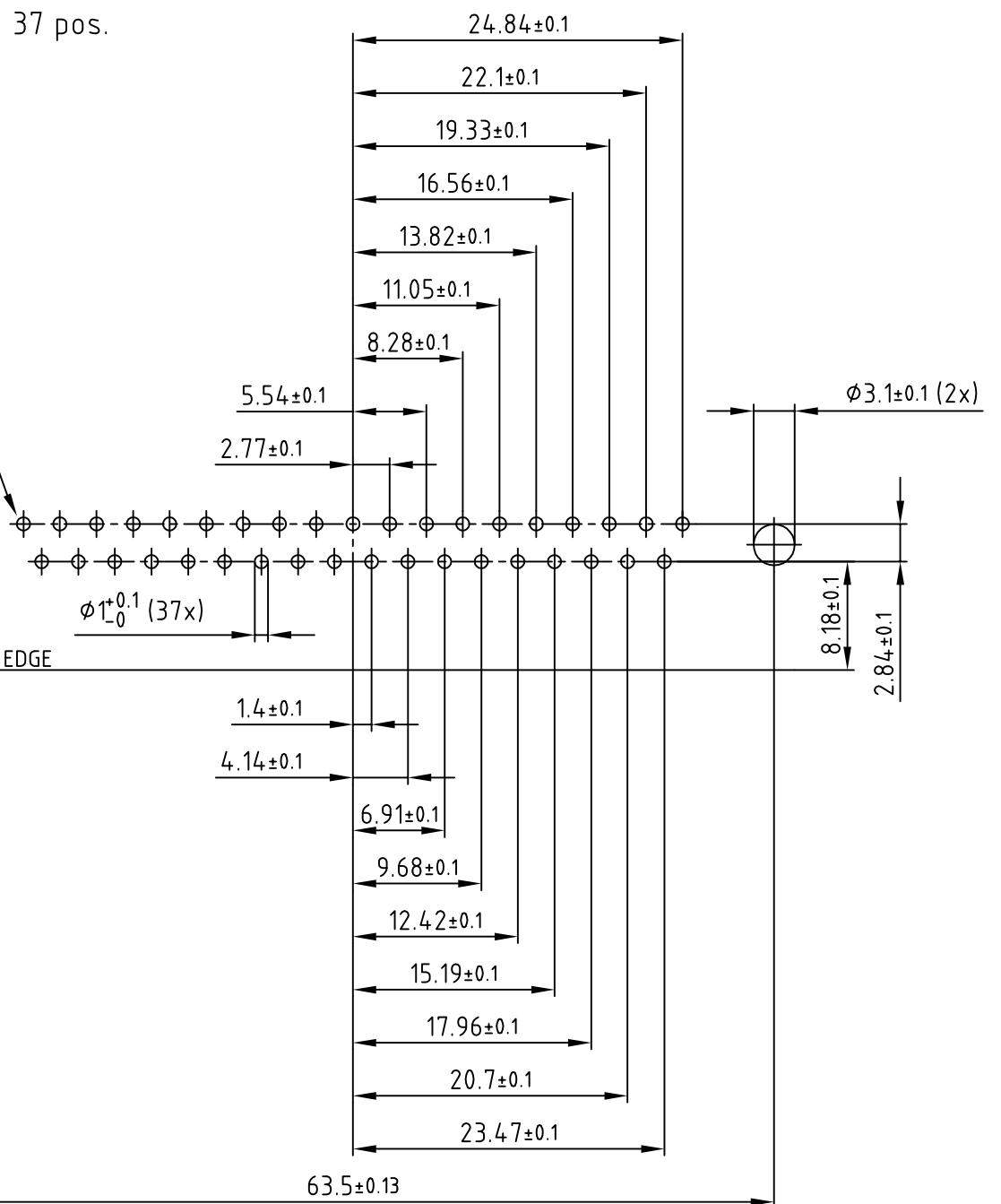
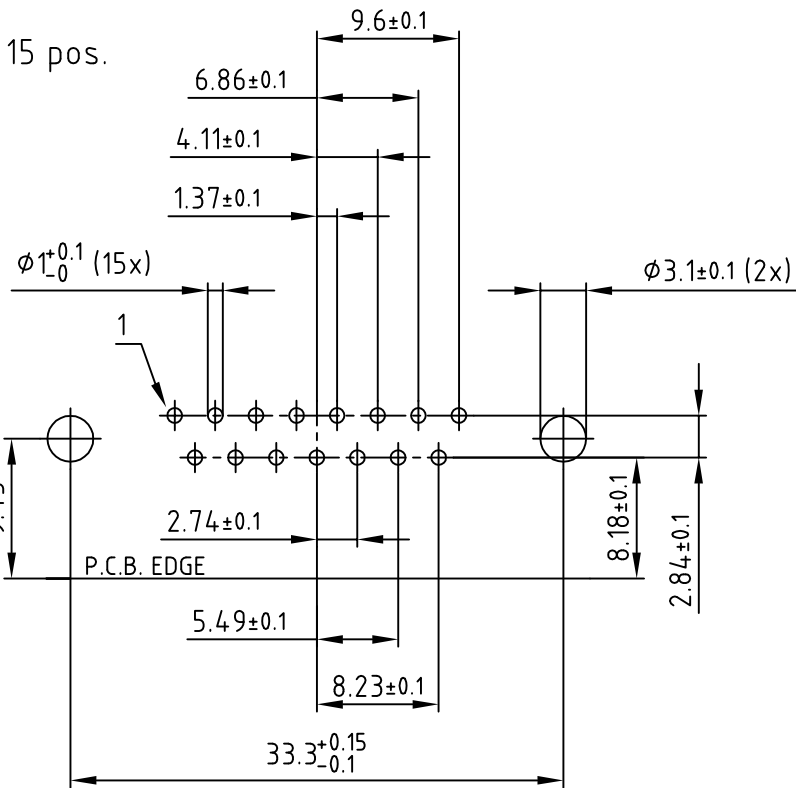
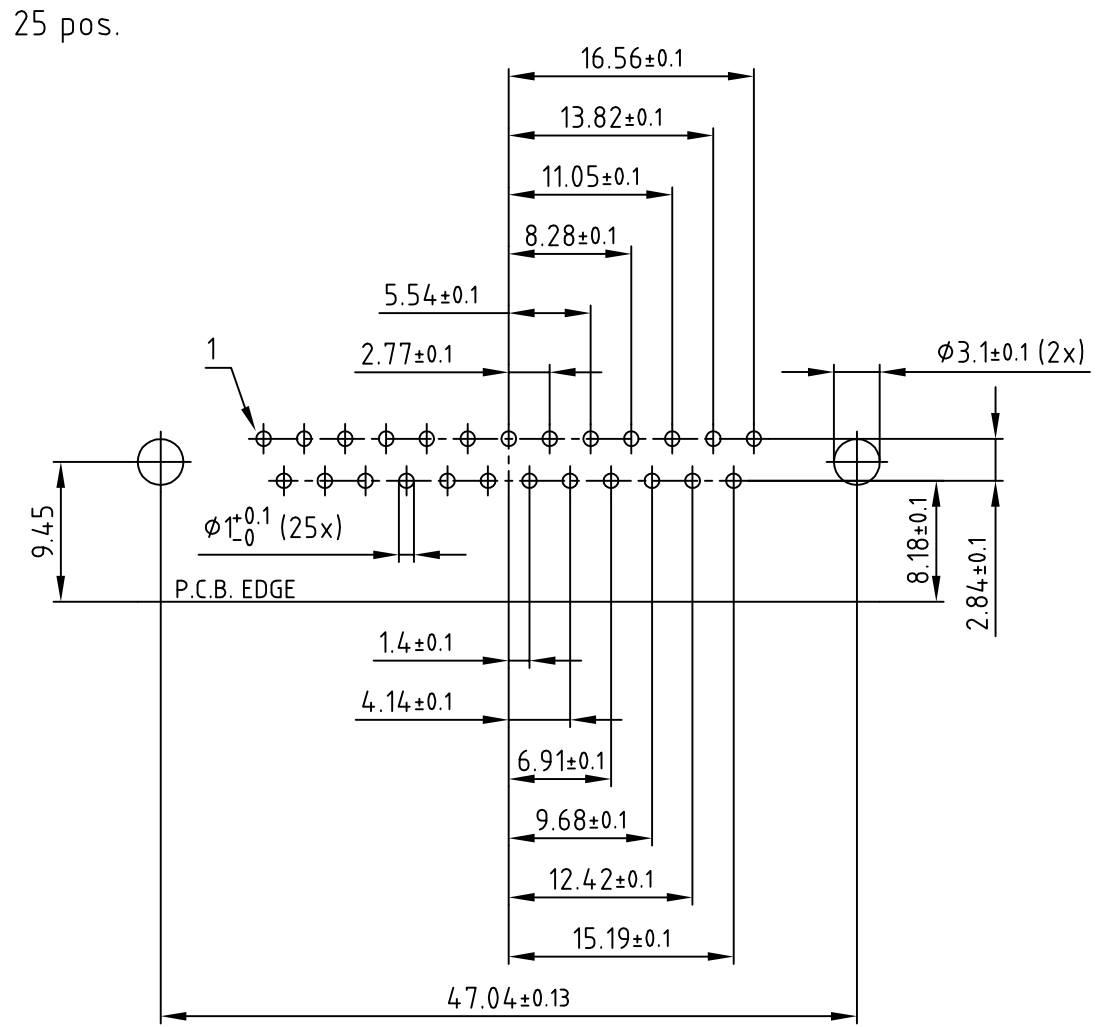
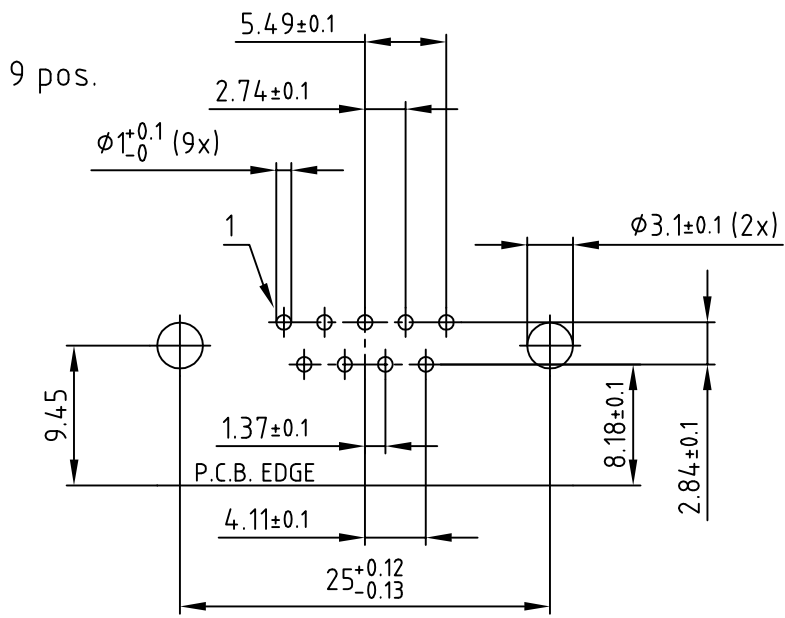
4 x b	Ä 3783	28.10.2010	Lehm.
a	Origin		
rev.	description	date	name

tolerance		scale:	2:1 (5:1)
	dim. in mm	material:	SEE NOTES
2000	date	name	title:
drawn	03.07.	A. Mickenbecker	D-SUB MALE 90°
appd.	03.07.	E. Mickenbecker	9-37pos. 0.318inch
norm	DIN 41652		with threaded insert, metal bracket and snap
d-old			dwg no: AutoCAD 2011
			DIN-A
			16K1A022A
			3 (b)
			sh:1/2
			part no: SEE TABLE



APPROVAL # FREIGABE # DEBLOCAGE # AUTORIZACION # APPROVAL	
CUSTOMER APPROVAL DATE:	
NAME:	TITLE:
COMPANY NAME:	
APPROVAL # FREIGABE # DEBLOCAGE # AUTORIZACION # APPROVAL	

used for: D-SUB



P.C.B. HOLE DRILLINGS  
(P.C.B. TOP SIDE)

APPROVAL # FREIGABE # DEBLOCAGE # AUTOR/ZACION # APPROVAL	
CUSTOMER APPROVAL DATE:	
NAME:	TITLE:
COMPANY NAME:	
APPROVAL # FREIGABE # DEBLOCAGE # AUTOR/ZACION # APPROVAL	

THIS DRAWING MAY NOT BE COPIED OR REPRODUCED IN ANY WAY, AND MAY NOT BE PASSED ON TO A THIRD PARTY WITHOUT WRITTEN PERMISSION.  
OWNERSHIP AND COPYRIGHT OF CONEC GmbH  
DO NOT ALTER CAD DRAWING BY HAND

rev.	description	date	name
a	Origin		

tolerance		scale:	2:1
	dim. in mm	material:	SEE SHEET 1
2010	date	name	
drawn	28.10.	Lehmenkühler	
appd.	28.10.	Fischer	
norm	DIN 41652		
d-old			

title:	
P.C.B. HOLE DRILLINGS	
D-SUB MALE 90° 9-37pos. 0.318inch	
with threaded insert, metal bracket and snap	
dwg no:	AutoCAD 2011
part no:	16K1A022A
	SEE SHEET 1



DIN-A  
3  
sh:2/2