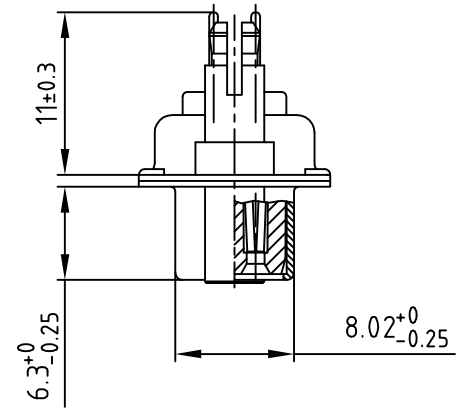
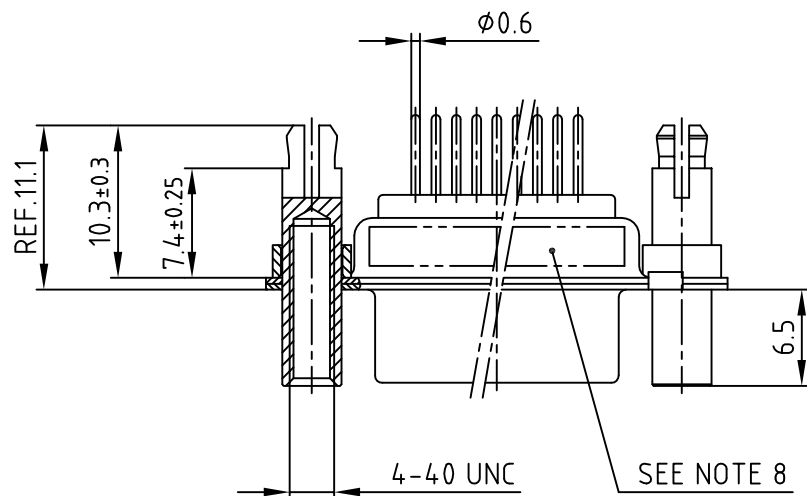
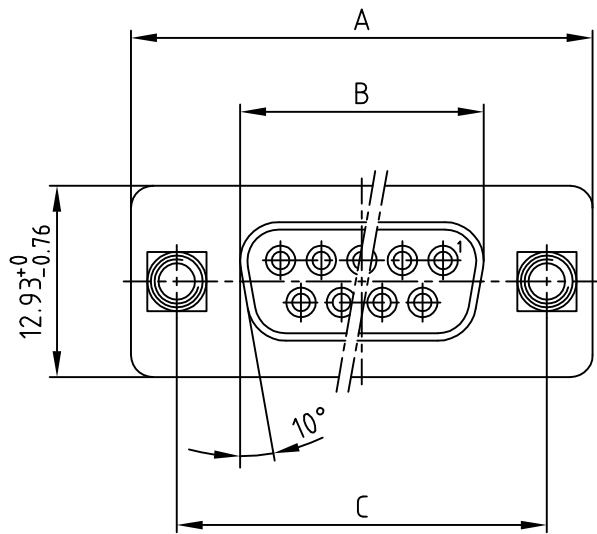


used for: D-SUB



POS.	A -0.76	B -0.25	C	Part No.
9	31.19	16.46	25.00 ^{+0.12} / _{-0.13}	164A16669X
15	39.52	24.79	33.30 ^{+0.15} / _{-0.1}	164A16679X
25	53.42	38.50	47.04 ±0.13	164A16689X
37	69.70	54.96	63.50 ±0.13	164A16699X

NOTES:

- METALSHELLS: STEEL; min. 320µin TIN
- INSULATORS: PBT GF UL 94 V-0; BLACK
- CONTACTS: COPPER ALLOY
PLATING: min. 8µin HARD GOLD over min. 50µin NICKEL
- THREADED LOCK / SPACER CLIP: COPPER ALLOY; min. 200µin TIN over 80µin NICKEL
PCB-HOLE: $\phi 3.1 \pm 0.1$; PCB THICKNESS 1.6mm
- COLLAR: COPPER ALLOY; min. 200µin TIN over 80µin NICKEL
- P.C.B. HOLE DRILLINGS ON DRAWING NO.: 16K11IUA
- MAXIMUM TORQUE VALUE FOR THREAD: 6 in.LB
- CONNECTOR IS PART MARKED: PART-NO. CONEC ABC

Directive 2002/95/EC RoHS compliant

APPROVAL # FREIGABE # DEBLOCAGE # AUTOR/ZACION # APPROVAL	
CUSTOMER APPROVAL DATE:	
NAME:	TITLE:
COMPANY NAME:	
APPROVAL # FREIGABE # DEBLOCAGE # AUTOR/ZACION # APPROVAL	

THIS DRAWING MAY NOT BE COPIED OR REPRODUCED IN ANY WAY, AND MAY NOT BE PASSED ON TO A THIRD PARTY WITHOUT WRITTEN PERMISSION. OWNERSHIP AND COPYRIGHT OF CONEC GmbH DO NOT ALTER CAD DRAWING BY HAND		
rev.	description	date

tolerance		dim. in mm	scale: 2:1
2002			material: SEE NOTES
date	name	title: D-SUB FEMALE 9-37pos. SOLDER PIN STRAIGHT with threaded lock and spacer clip	
drawn	06.11. Parei		
appd.	06.11. Kühle		
norm	DIN 41652		
d-old		dwg no:	AutoCAD 2000
		16K2IKWA	
		part no:	SEE TABLE
		DIN-A	3
		sh:1/1	