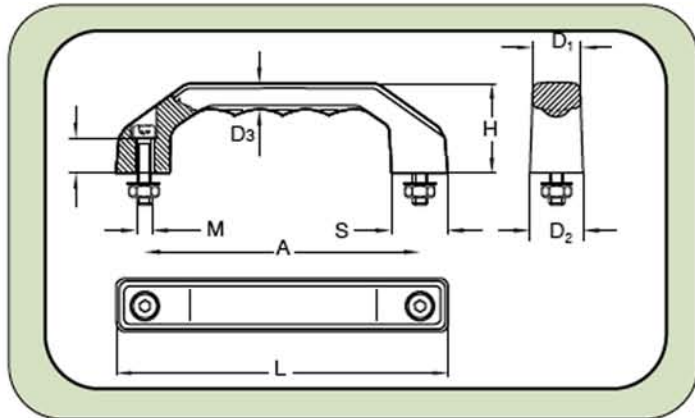


# Plastic RG Series

Modern industrial design for the highest demands. Extremely resistant to torsion and easy to grip.

Glass bead reinforced, nylon, matte black finish or orange satin finish. Includes black oxide, hexagon head cap screws with hexagon sockets DIN 912, zinc plated nuts DIN 934, and washers DIN 125. Available with stainless steel screws, nuts, and washers for wet areas. Also available without screws.



A	Color	Standard Order No.	Stainless Steel Hardware Order No.	Without Screws Order No.	M	T	L	H	D1	D2	D3	S
100	Black Orange	RG-1S.100.84 RG-1S.100.09	RG-1N.100.84 RG-1N.100.09	RG-1P.100.84 RG-1P.100.09	M 5 x 22	13	122	33	17	19	8.5	20
120	Black Orange	RG-1S.120.84 RG-1S.120.09	RG-1N.120.84 RG-1N.120.09	RG-1P.120.84 RG-1P.120.09	M 6 x 25	15	146	39	20.5	23	10.5	24
140	Black Orange	RG-1S.140.84 RG-1S.140.09	RG-1N.140.84 RG-1N.140.09	RG-1P.140.84 RG-1P.140.09	M 8 x 30	16	170	45	24	27	12	28
160	Black Orange	RG-1S.160.84 RG-1S.160.09	RG-1N.160.84 RG-1N.160.09	RG-1P.160.84 RG-1P.160.09	M 8 x 35	20	194	52	27.5	31	13.5	32
180	Black Orange	RG-1S.180.84 RG-1S.180.09	RG-1N.180.84 RG-1N.180.09	RG-1P.180.84 RG-1P.180.09	M 10 x 40	20	218	58	31	35	15.5	36

All dimensions in metric

