

Handle Series FG7

Material and surface:

Handle ledge \varnothing 30 x 5 mm aluminium round tube AlMgSi 0.5; fine ground and black anodized. Handle shanks of polyamide PA 6, black with fine structure.

Function elements:

2 Push buttons up to 1A with LED. Type FG7-05 with additional emergency stop (2 NC contacts).

Connection A:

Coupling positioned at the tubular axle of the handle ledge in the handle shank.

Connection B:

Coupling positioned in the mounting surface of the handle shank.

Connection C:

The 5 m connection cable is guided out of the mounting surface of the handle shank.

The connection A and C are available with straight and chamfer handle shanks, as left and right-hand versions for use with double doors.

Protection class:

IP 65 (for the connecting A and B with screwed coupling).

Note:

Coupling with 10 m ready made cable available as accessories. Other handle lengths, anodized versions and illuminated emergency stop button on request.



U7-30.G

Counter-handle without electrical function elements s. p. 41.



Typ FG7-05.G
with emergency stop



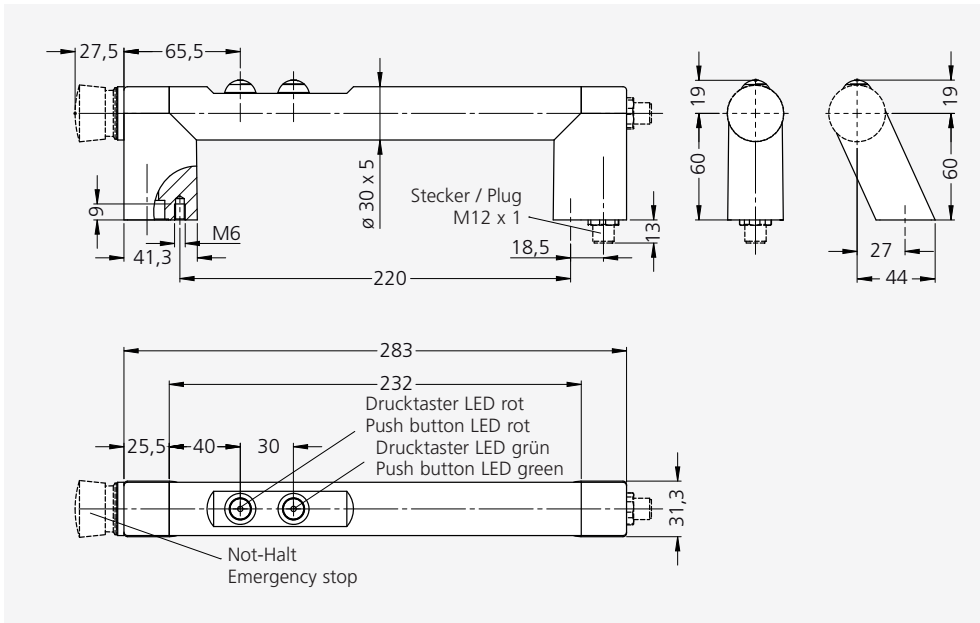
Typ FG7-02.L



Connection



		Switching version	
		without emergency stop, 2 push button	with emergency stop, 2 push button
Connecting		Order no.	Order no.
A	straight	FG7-02.GA220.04	FG7-05.GA220.04
	left	FG7-02.LA220.04	FG7-05.LA220.04
	right	FG7-02.RA220.04	FG7-05.RA220.04
B	straight	FG7-02.GB220.04	FG7-05.GB220.04
	straight	FG7-02.GC220.04	FG7-05.GC220.04
C	left	FG7-02.LC220.04	FG7-05.LC220.04
	right	FG7-02.RC220.04	FG7-05.RC220.04
		8-pole (M12 x 1)	12-pole (M12 x 1)
		Bestell-Nr. Order no.	Bestell-Nr. Order no.
10 m	L	FZ-KS.G08.10	FZ-KS.G12.10
		FZ-KS.W08.10	FZ-KS.W12.10



Technical data

Typ	FG7-02	FG7-05
	with 2 push buttons	add. emergency stop
Emergency stop (2 NC contacts)	without	
Push button LED red (1 change-over contact)		
Push button LED green (1NO contact)		
Emergency stop	-	1-42 V AC/DC 100 mA
Push buttons	24 V AC/DC max. 1 A	
Operating voltage LED	24 V DC (12 V DC optional)	
Connection type	8-pole M12 x 1	12-pole M12 x 1
Connector assignment (Plug side view)		
Mounting cutout		

All dimensions in mm.



Door solenoid tumbler see page 304–305.