

REAL TIME CLOCK MODULE (SPI-Bus)

High-Stability Frequency



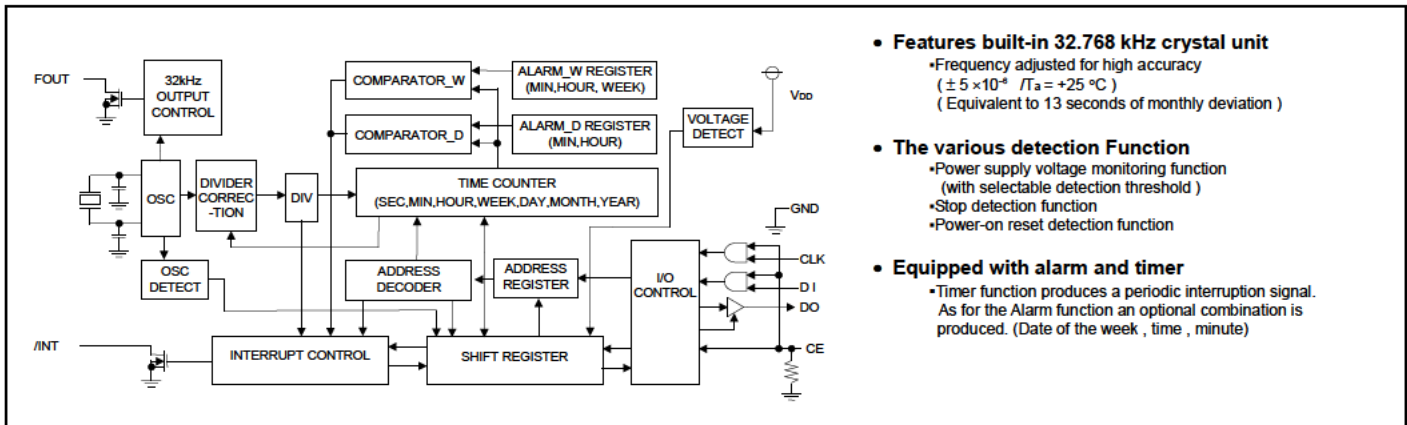
Product Number
 RX-4045SA AA: Q41404552000100
 RX-4045SA AC: Q41404551000200

RX-4045SA

- Built-in 32.768 kHz crystal unit: Frequency adjusted for high accuracy. ($\pm 5 \times 10^{-6}$ / $T_a = +25^\circ\text{C}$)
- Interface Type : 4-wire serial interface
- Operating voltage range : 1.7 V to 5.5 V
- Wide Timekeeper voltage range : 1.15 V to 5.5 V
- Various detection Functions : Oscillation stop detection function etc.
- Low backup current : 0.48 μA / 3 V (Typ.)
- 32.768 kHz clock frequency output : N-ch open drain output
- Function of time and calendar, the various detection function, and interrupt function etc.



Block diagram



Overview

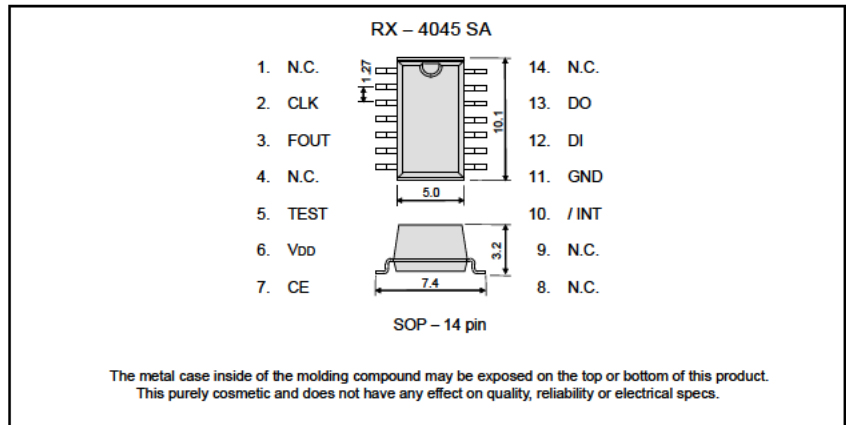
- **Features built-in 32.768 kHz crystal unit**
 - Frequency adjusted for high accuracy ($\pm 5 \times 10^{-6}$ / $T_a = +25^\circ\text{C}$) (Equivalent to 13 seconds of monthly deviation)
- **The various detection Function**
 - Power supply voltage monitoring function (with selectable detection threshold)
 - Stop detection function
 - Power-on reset detection function
- **Equipped with alarm and timer**
 - Timer function produces a periodic interruption signal. As for the Alarm function an optional combination is produced. (Date of the week, time, minute)

Pin function

Signal Name	Input / Output	Function
CE	Input	The chip enabled input pin. (built-in pull-down resistance) At the "H" level, access becomes possible.
CLK	Input	The shift clock input pin for serial data transfer.
DI	Input	The data input pin for serial data transfer.
DO	Output	The data output pin for serial data transfer.
FOUT	Output	32.768 kHz clock output pin with the output control function (N-ch open drain) High impedance at the time of output off.
/INT	Output	Interrupt output (N-ch open drain)
TEST	—	* Used by the manufacturer for testing. (Do not connect externally.)
V _{DD}	—	Connected to a positive power supply.
GND	—	Connected to a ground.

Terminal connection / External dimensions

(Unit:mm)



Specifications (characteristics)

* Refer to application manual for details.

Recommended Operating Conditions

Item	Symbol	Conditions	Min.	Typ.	Max.	Unit
Power voltage	V _{DD}	—	1.7	3.0	5.5	V
Clock voltage	V _{CLK}	—	1.15	3.0	5.5	V
Operating temperature	T _{OPR}	—	-40	+25	+85	°C

Frequency characteristics

Item	Symbol	Conditions	Rating	Unit
Frequency tolerance	$\Delta f/f$	T _a = +25°C V _{DD} = 3.0 V	AA: 5 ± 5 *1) AC: 0 ± 5 *2)	× 10 ⁻⁶
Oscillation start-up time	t _{STA}	T _a = +25°C V _{DD} = 2.0 V	1 Max.	s
Frequency / voltage characteristics	f/V	T _a = +25°C V _{DD} = 2.0 V to 5.5 V	± 1 Max.	× 10 ⁻⁶

*1) *2) Equivalent to ±13 seconds of monthly deviation (excluding offset.)

Current consumption characteristics

T_a = -40 °C to +85 °C

tem	Symbol	Conditions	Min.	Typ.	Max.	Unit	
Current Consumption	I _{BK}	CE = GND FOUT ; output OFF (Hi-z)	V _{DD} = 5 V	-	0.60	1.80	μA
			V _{DD} = 3 V	-	0.48	1.20	
	I _{32k}	CE = GND FOUT ; 32.768 kHz output ON	V _{DD} = 3 V	-	0.65	2.00	μA

Power supply detection voltage

T_a = -30 °C to +70 °C

Item	Symbol	Conditions	Min.	Typ.	Max.	Unit
High-voltage mode	V _{DETH}	V _{DD} pin	1.90	2.10	2.30	V
Low-voltage mode	V _{DETL}	V _{DD} pin	1.15	1.30	1.45	V