

BASIC PART NUMBER: 83808- X X X X X X X

CARD TYPE: I
CARD TYPE: II

I/O: CLOSED WITH GROUND CONTACT
I/O: 1 CONNECTOR
I/O: 2 CONNECTORS

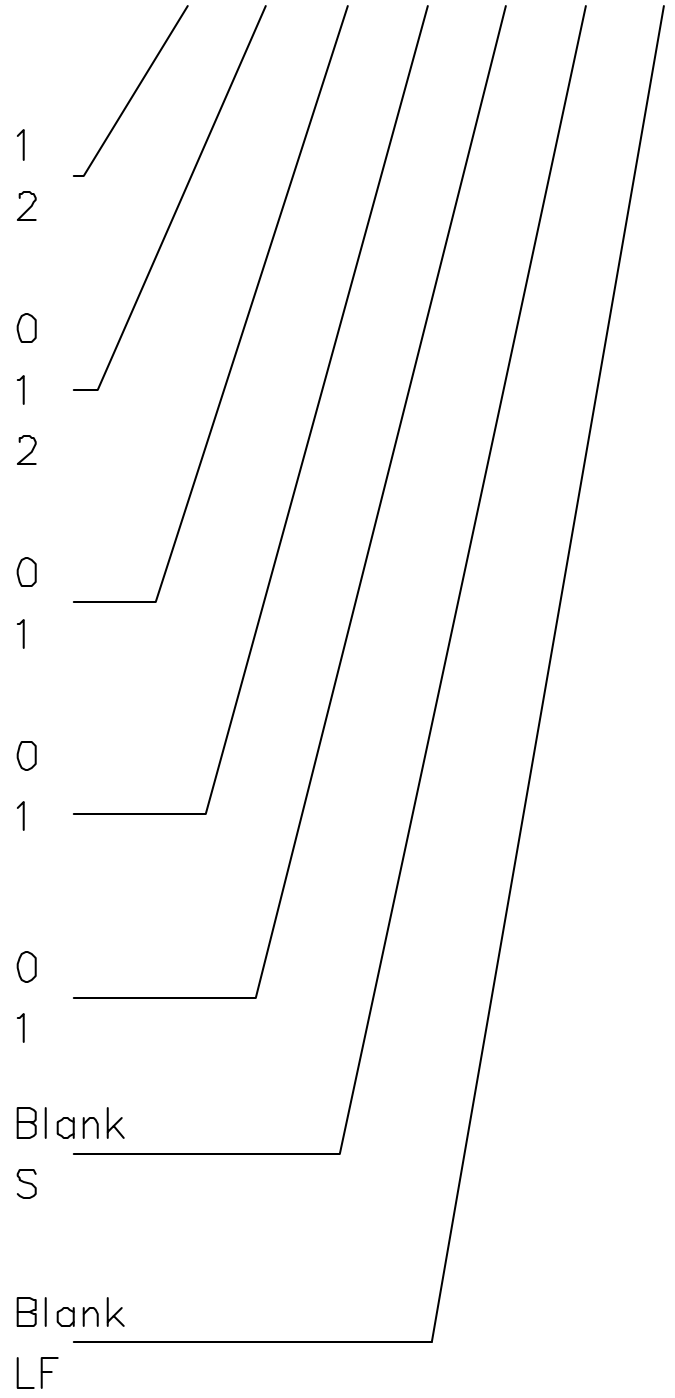
LABEL RECESS: NO
LABEL RECESS: YES

INSULATOR: NO
INSULATOR: YES

CARDBUS: NO
CARDBUS: YES

PACKAGING: 1000Pcs/BOX
PACKAGING: 200Pcs/BOX

ALL PART NUMBER: RoHS COMPLIANT SPECIFICATION



83808-XXXXXX IS SIMILAR TO 83808-XXXXXXLF, THE SUFFIX "LF" IS ADDED FOR LEAD FREE IDENTIFICATION
THIS PRODUCT MEETS EUROPEAN UNION DIRECTIVES AND OTHER COUNTRY REGULATIONS AS PER GS-22-008. PACKAGING SPECIFICATION GS-14-920

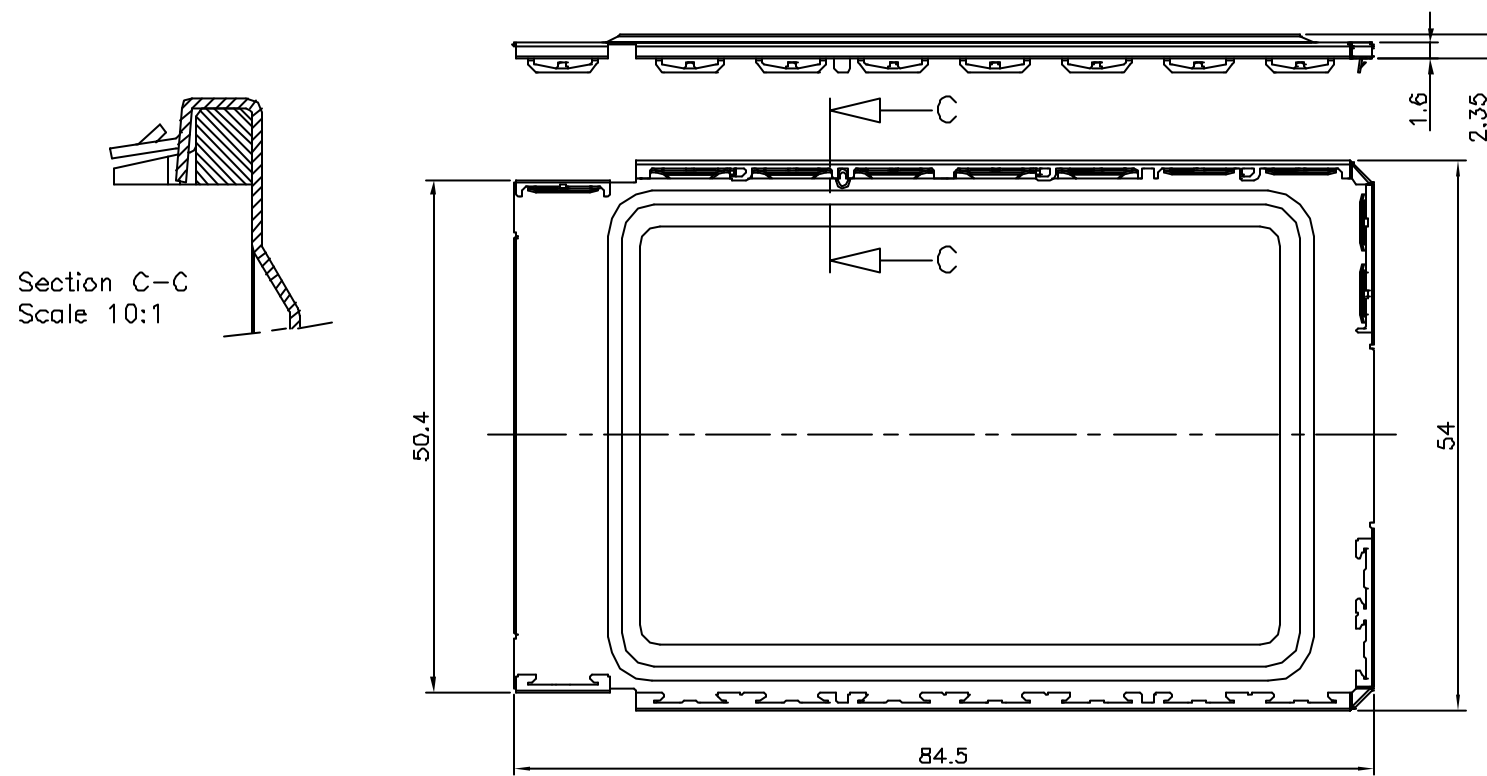
PROPERTIES:

CARD SHIELD: STAINLESS STEEL, THICKNESS 0.2mm
SURFACE FINISH: MATTE
FRAME BAR: PPO, COLOR BLACK, UL94V-0
INSULATOR: DIELECTRIC STRENGTH 2500V

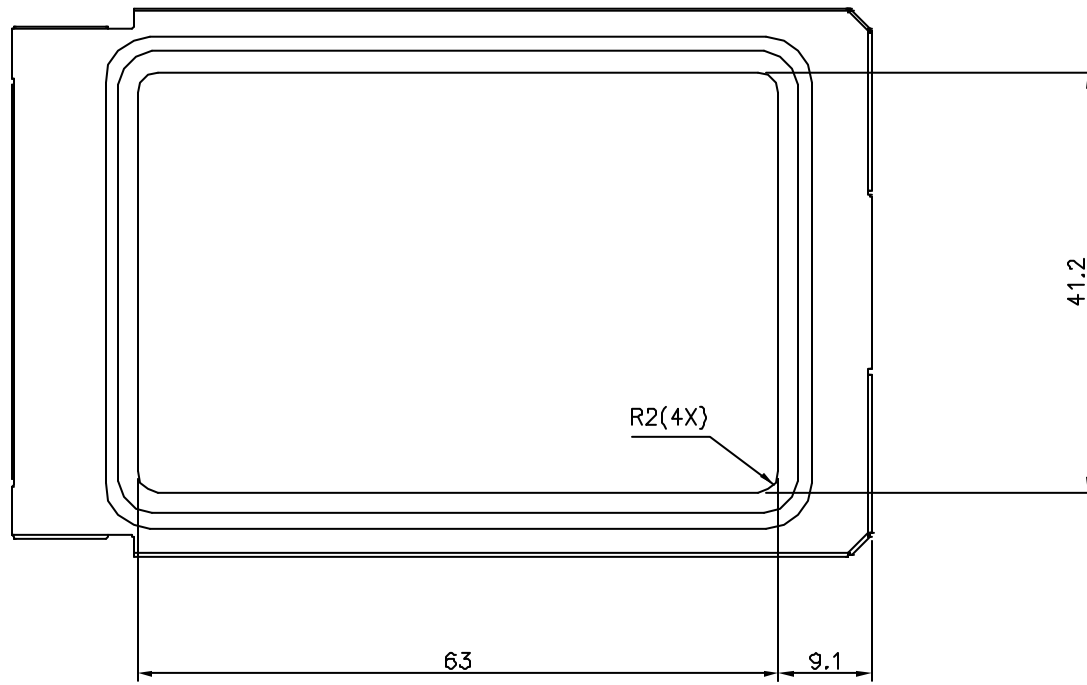
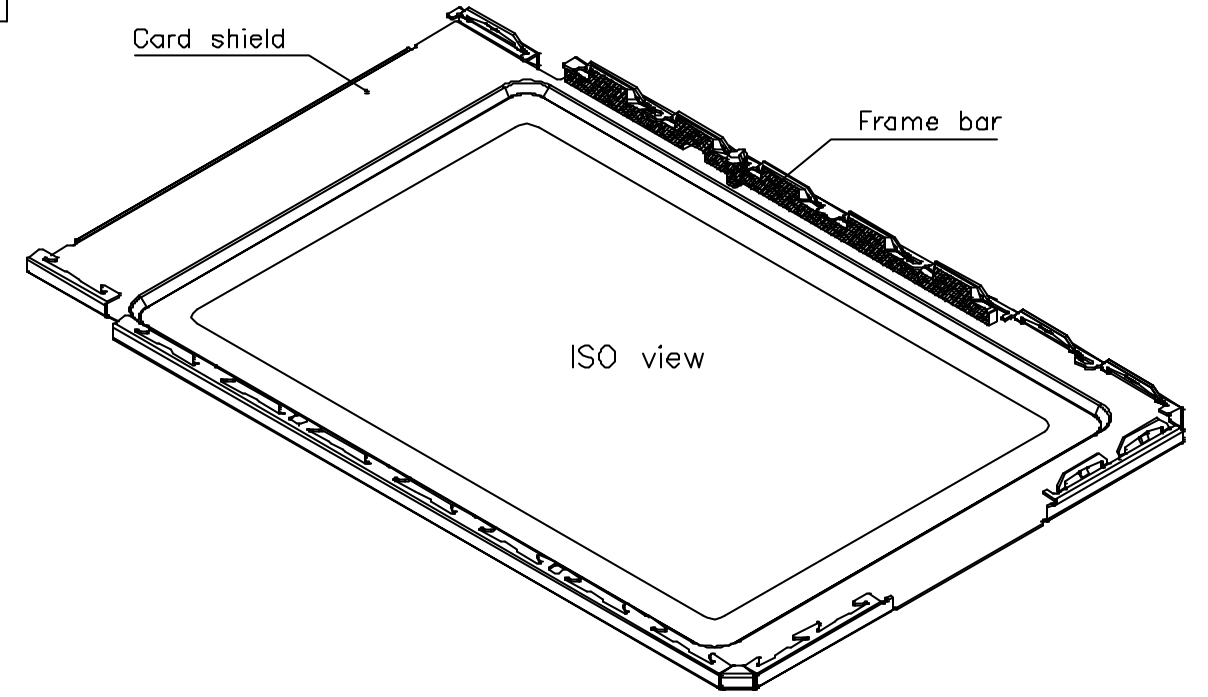
mat'l. code				surface <input checked="" type="checkbox"/> ISO 1302		tolerance <input checked="" type="checkbox"/> ISO 406 <input type="checkbox"/> ISO 1101				projection		product family PCMCIA					
Ltr	ecn no	dr	date	tolerances unless otherwise specified								title ROCARD SHIELD					
H	F10514	DLE	01.09.07	angles		linear						mm					
J	F05-0254	DLE	05.09.26	scale 1:1										dwg no 83808			
K	F06-0138	DLE	06.02.27	dr		D LEGRAND		01.09.07				sheet 1 of 10		size A4			
L	F06-0138	DLE	06.02.27	enr		F HAUTIER		99.04.29				type CUSTOMER Drawing					
M	F06-0248	DLE	06.07.28	chr		D LEGRAND		99.04.29									
G	F00439	DLE	00.06.19	app		F HAUTIER		99.04.29									
sheet index		revision sheet		M	G	G	G	G	F	F	F	F					
				1	2	3	4	5	6	7	8	9	10				

Product number	Insulator	Label recess
83808-21000LF	no	no
83808-21010LF	yes	no
83808-21100LF	no	yes
83808-21110LF	yes	yes

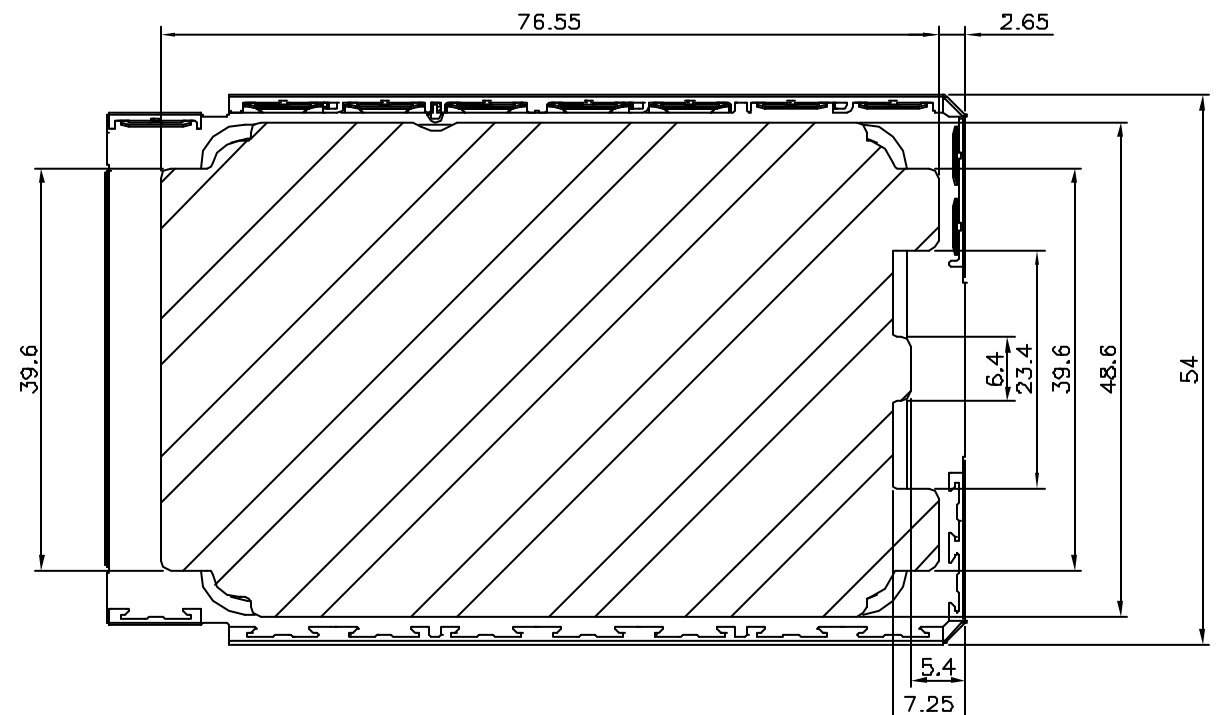
Product number	Packaging
83808-xxxxxLF	1000 Rocard Shield/Box
83808-xxxxxSLF	200 Rocard Shield/Box



Section C-C
Scale 10:1



Version: Label recess
(maximum label thickness 0.07 mm)

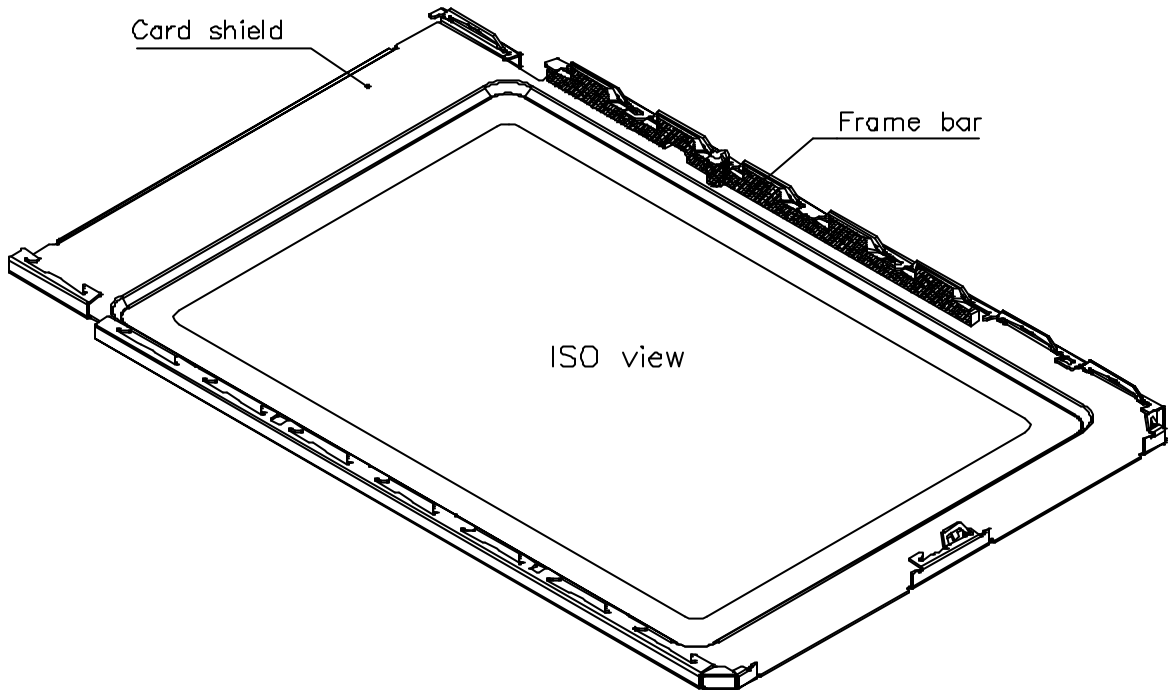
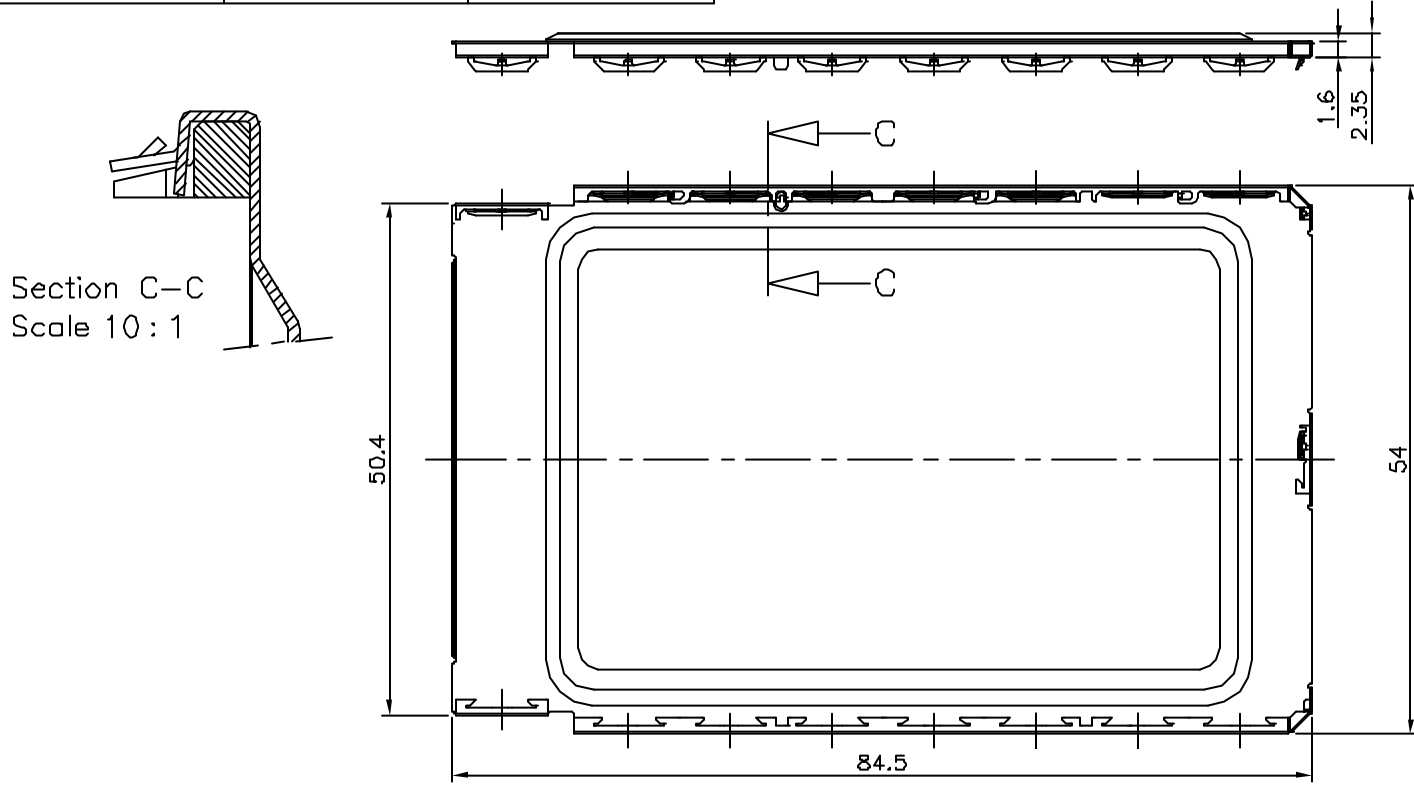


Version: Insulator
(thickness 0.07 mm)

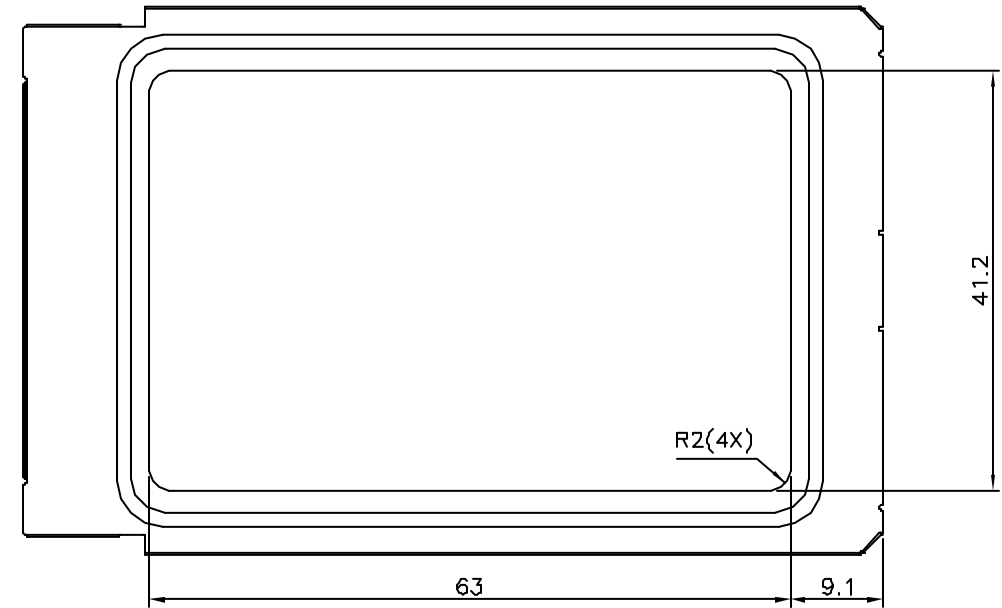
lfr	ecm	no	dr	date	surface	tolerance	projection	product family
A	H80049	GCA	98.02.12		ISO 1302	ISO 416 ISO 1101	mm	PCMCIA
B	F80195	GCA	98.04.08		tolerances unless otherwise specified			title
C	F80323	DLE	99.05.04		angles	linear	scale 2:1	ROCARD SHIELD TYPE II, 1x1/0
D	F10514	DLE	01.08.07	dr	H VEREUKEN	98.02.12		sheet 2 of -
E	F05-0254	DLE	05.09.26	enfr	F HAUTIER	99.05.04		size
F	F08-0138	DLE	06.02.27	chr	D LEGRAND	99.05.04		83808
G	F06-0248	DLE	06.07.28	app	F HAUTIER	99.05.04		Az
sheet	revision							type
index	sheet							CUSTOMER Drawing

Product number	Insulator	Label recess
83808-22000LF	no	no
83808-22010LF	yes	no
83808-22100LF	no	yes
83808-22110LF	yes	yes

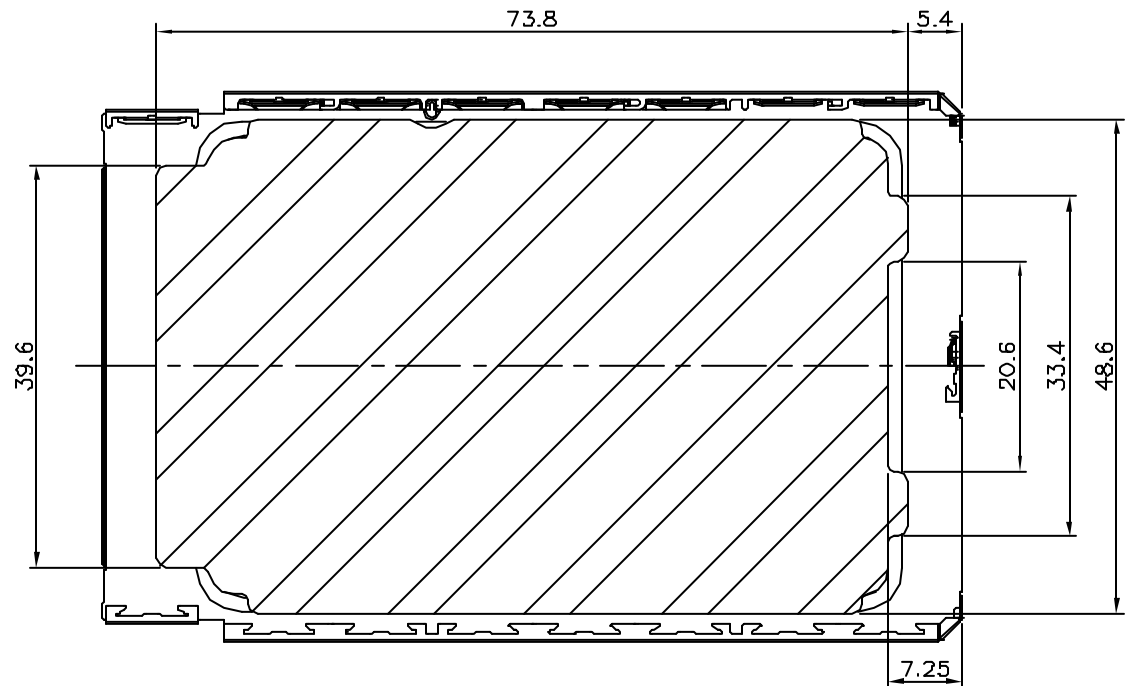
Product number	Packaging
83808-xxxxxLF	1000 Rocard Shield/Box
83808-xxxxxSLF	200 Rocard Shield/Box



Section C-C
Scale 10:1



Version: Label recess
(maximum label thickness 0.07 mm)



Version: Insulator
(thickness 0.07 mm)

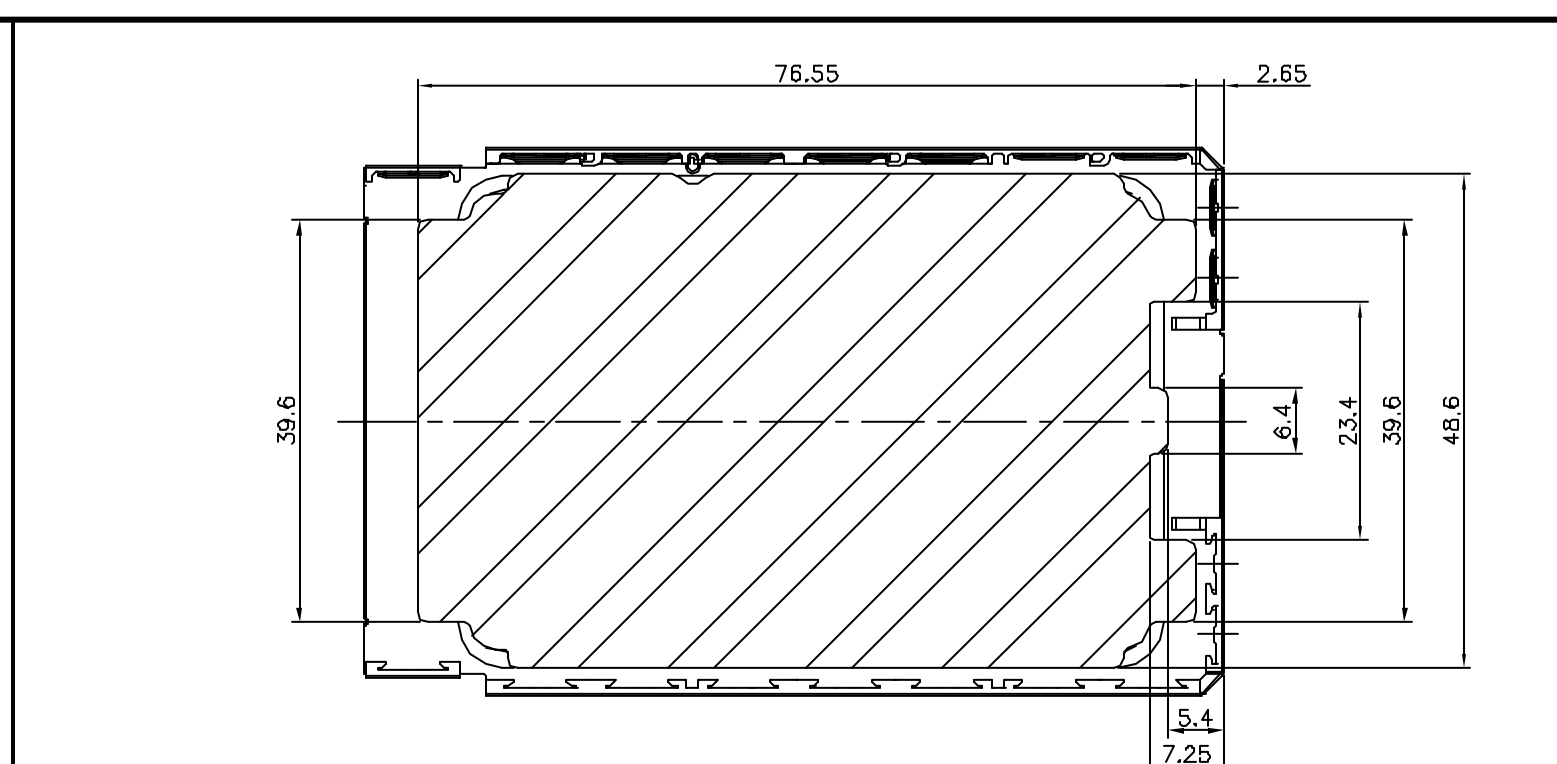
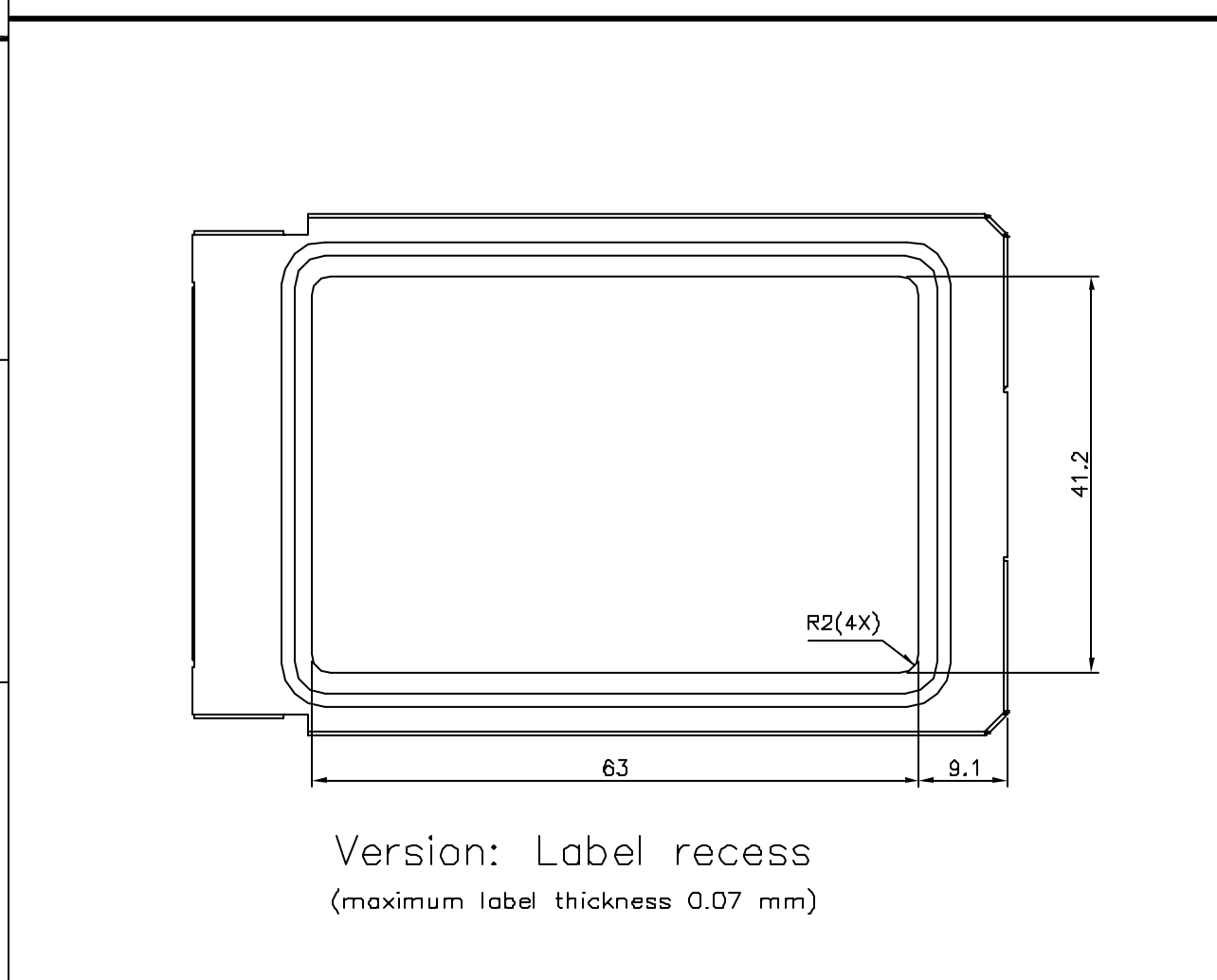
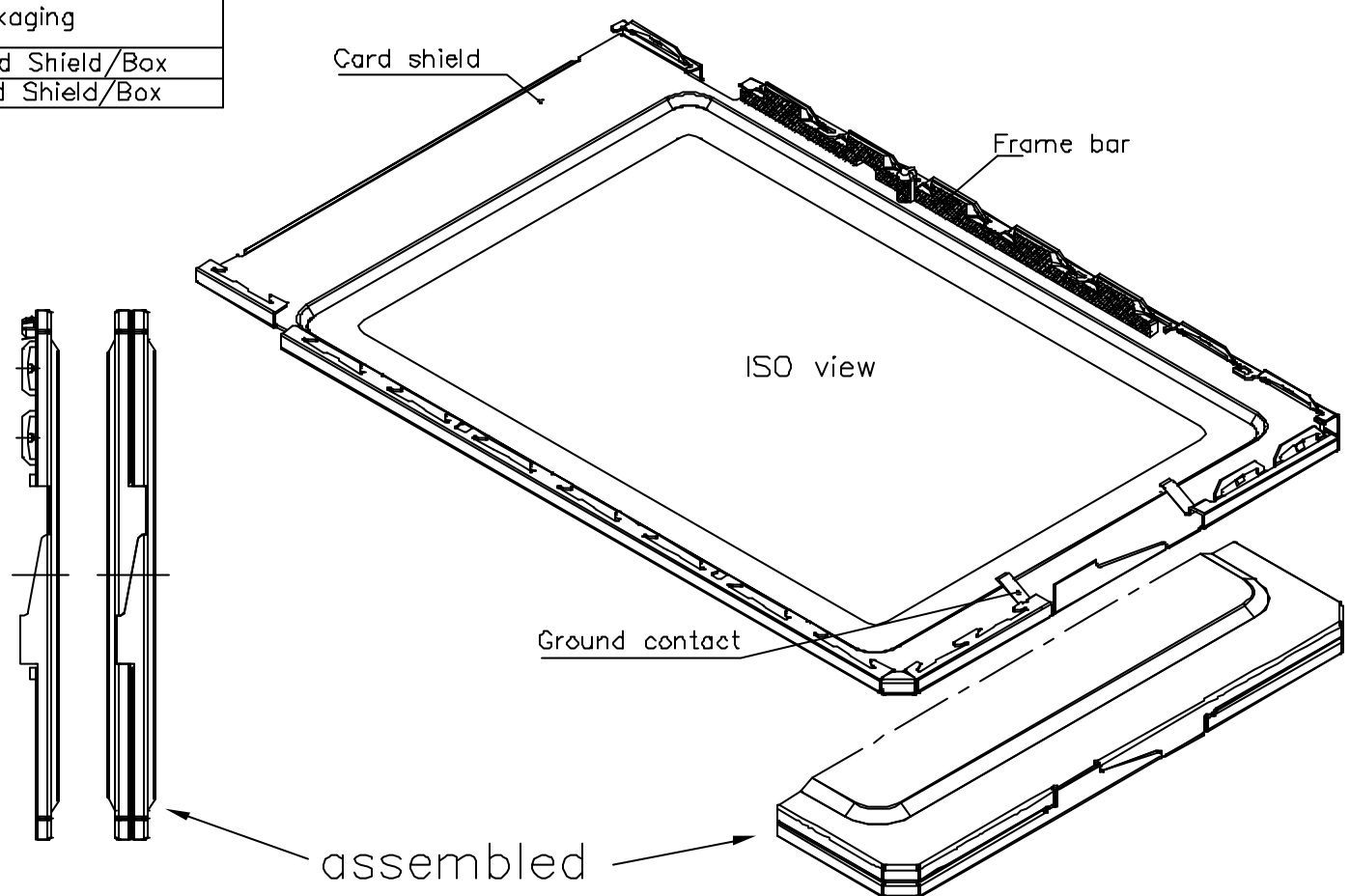
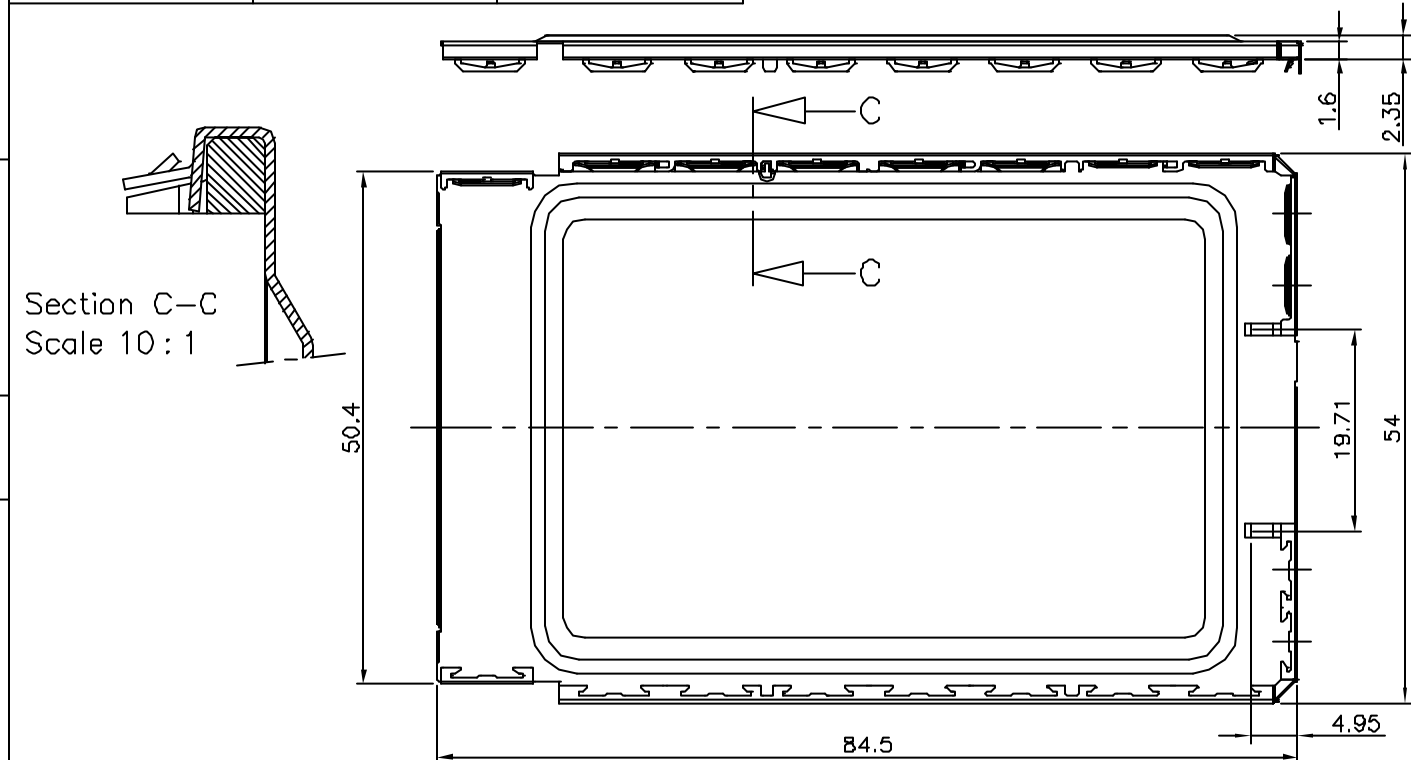
lfr	ecn	no	dr	date	surface	tolerance	projection	product family
A	H80049	GCA		98.02.12	ISO 1302	ISO 416 ISO 1101	mm	PCMCIA
B	F80195	GCA		98.04.08	tolerance unless otherwise specified			title
C	F80323	DLE		99.05.04	angles	linear	scale 2:1	ROCARD SHIELD TYPE II, 2x1/0
D	F10514	DLE	01.08.07	dr	H VEREUKEN	98.02.12		sheet 3 of -
E	F05-0254	DLE	05.09.26	enfr	F HAUTIER	99.05.04		83808
F	F08-0138	DLE	06.02.27	chr	D LEGRAND	99.05.04		Az
G	F06-0248	DLE	06.07.28	app	F HAUTIER	99.05.04		type
sheet index	revision	sheet						CUSTOMER Drawing



Copyright FCI

Product number	Insulator	Label recess
83808-2000OLF	no	no
83808-2001OLF	yes	no
83808-2010OLF	no	yes
83808-2011OLF	yes	yes

Product number	Packaging
83808-xxxxxLF	1000 Rocard Shield/Box
83808-xxxxxSLF	200 Rocard Shield/Box



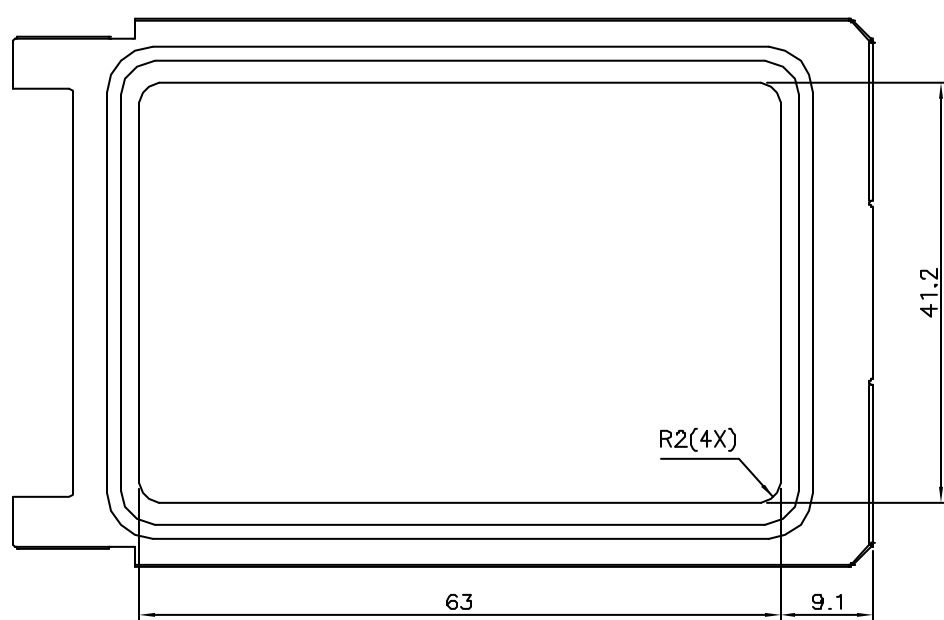
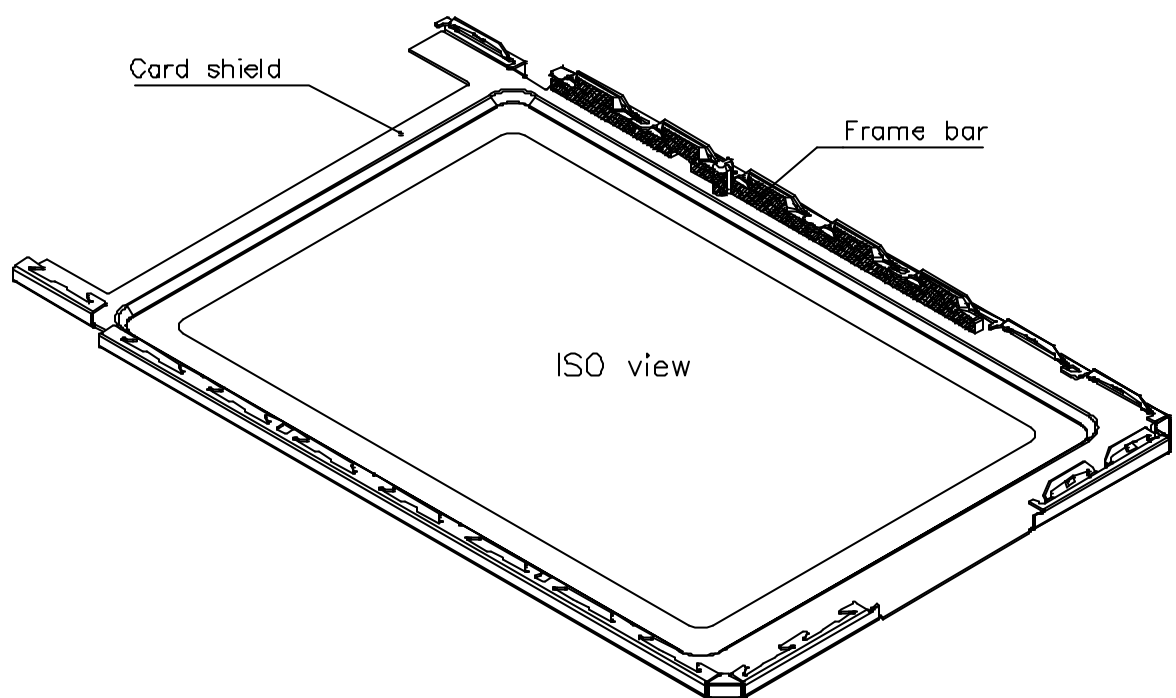
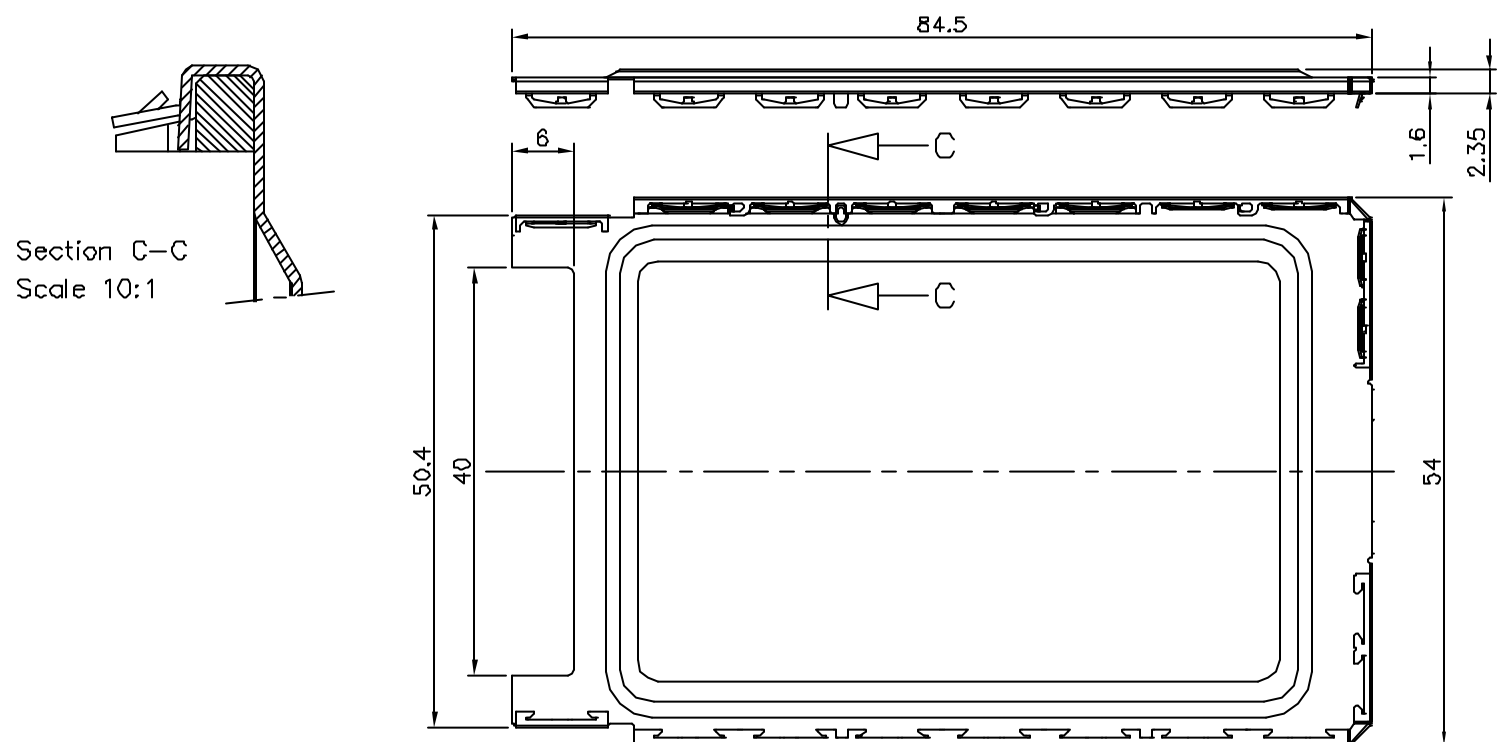
Version: Insulator
(thickness 0.07 mm)

Version: Label recess
(maximum label thickness 0.07 mm)

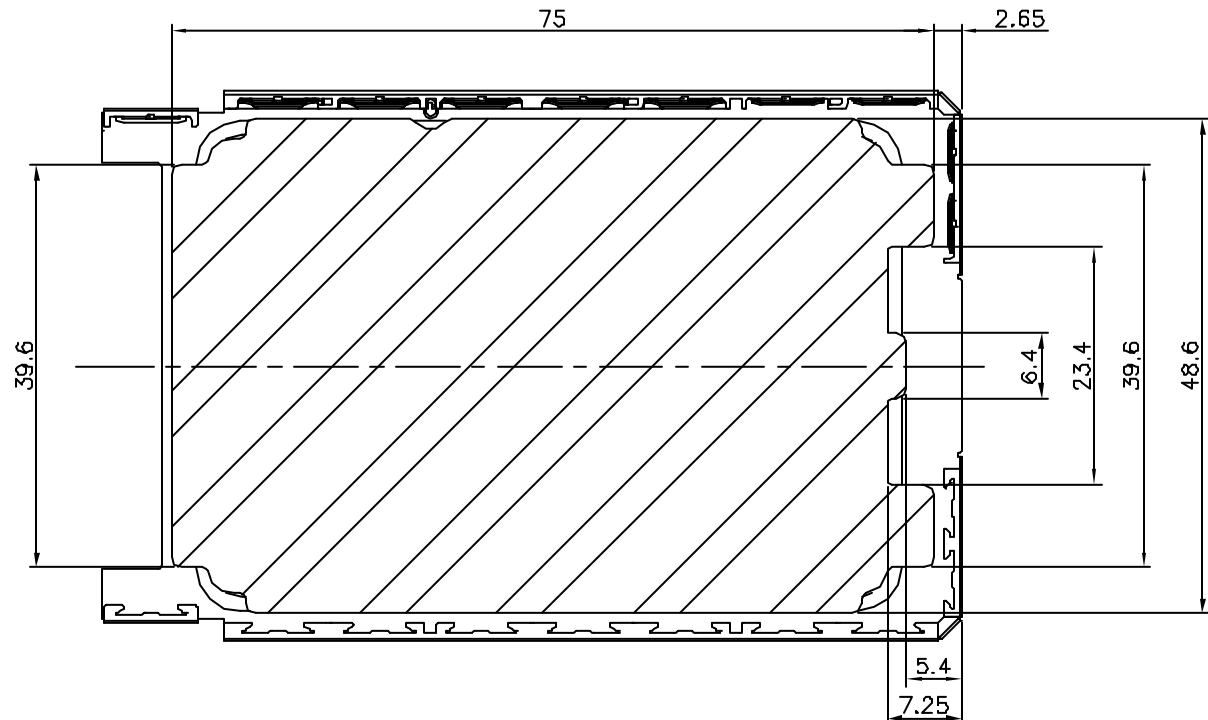
lfr	ecm	no	dr	date	surface	tolerance	projection	product family
A	H80049	GCA		98.02.12	ISO 1302	ISO 416 ISO 1101	mm	PCMCIA
B	F80195	GCA		98.04.08	tolerance unless otherwise specified			title
C	F80323	DLE		99.05.04	angles	linear	scale 2:1	ROCARD SHIELD TYPE II, CLOSED END
D	F10514	DLE	01.08.07	dr	H VEREUKEN	98.02.12		sheet 4 of -
E	F05-0254	DLE	05.09.26	engr	F HAUTIER	99.05.04		83808
F	F08-0138	DLE	06.02.27	chr	D LEGRAND	99.05.04		Az
G	F06-0248	DLE	06.07.28	app	F HAUTIER	99.05.04		type
sheet	revision							CUSTOMER Drawing
index	sheet							

Product number	Insulator	Label recess
83808-21001LF	no	no
83808-21011LF	yes	no
83808-21101LF	no	yes
83808-21111LF	yes	yes

Product number	Packaging
83808-xxxxxLF	1000 Rocard Shield/Box
83808-xxxxxSLF	200 Rocard Shield/Box



Version: Label recess
(maximum label thickness 0.07 mm)

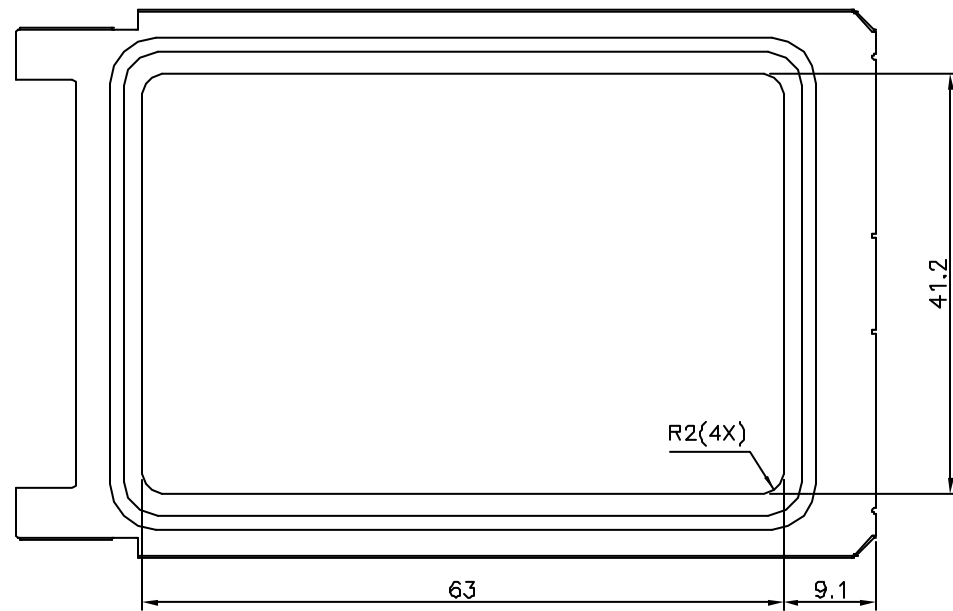
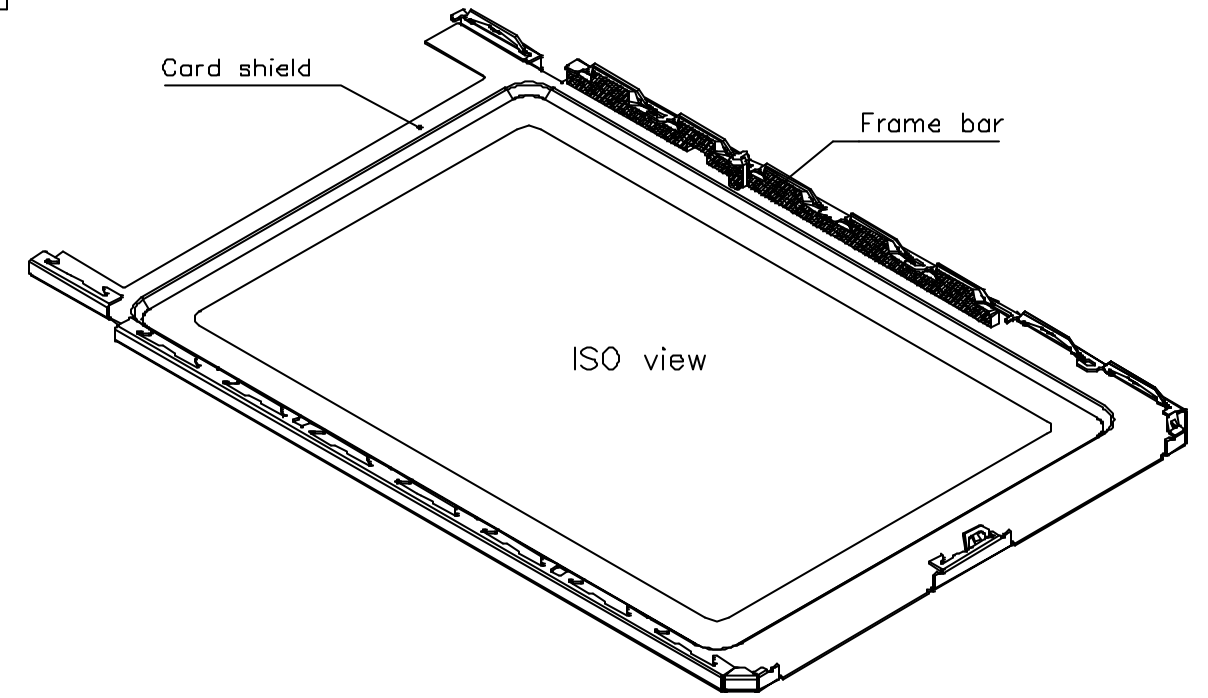
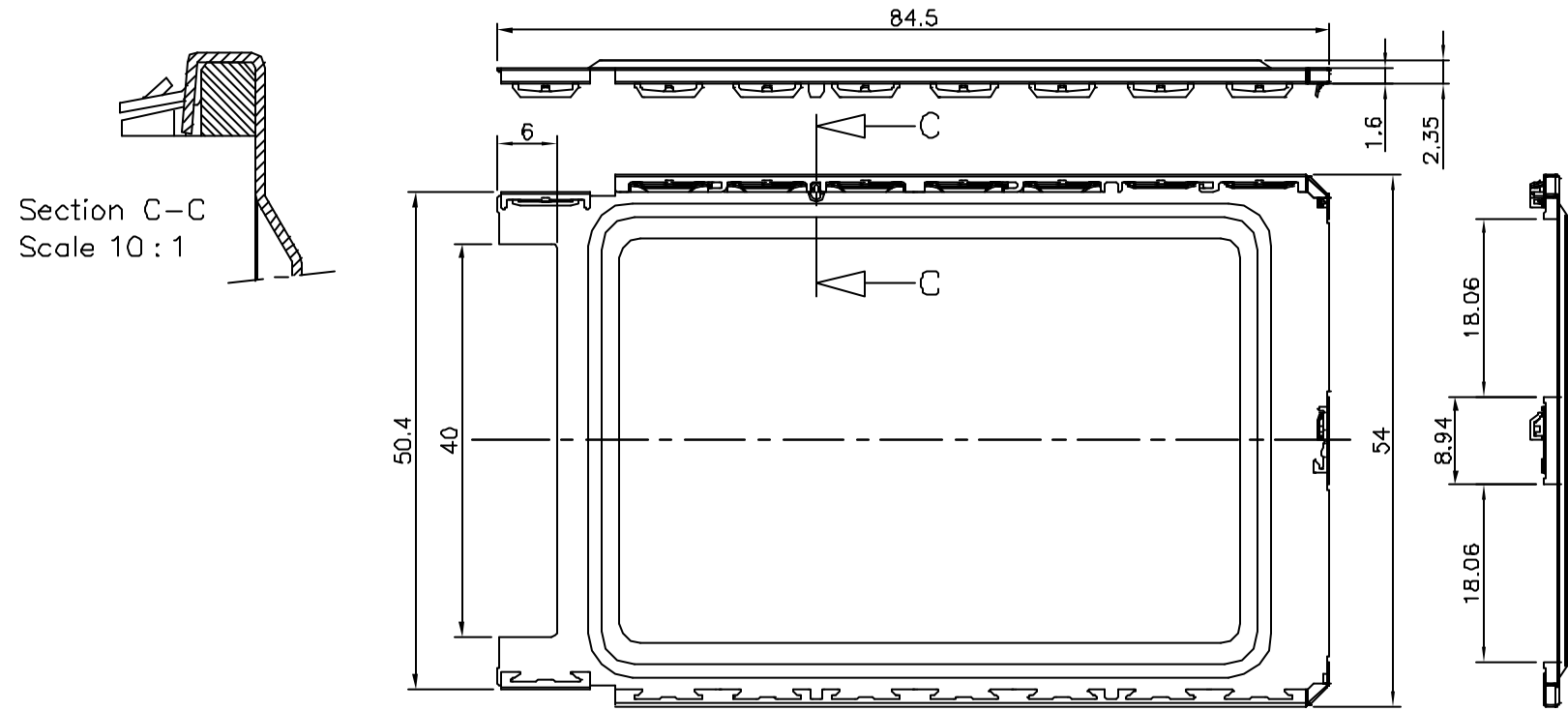


Version: Insulator
(thickness 0.07 mm)

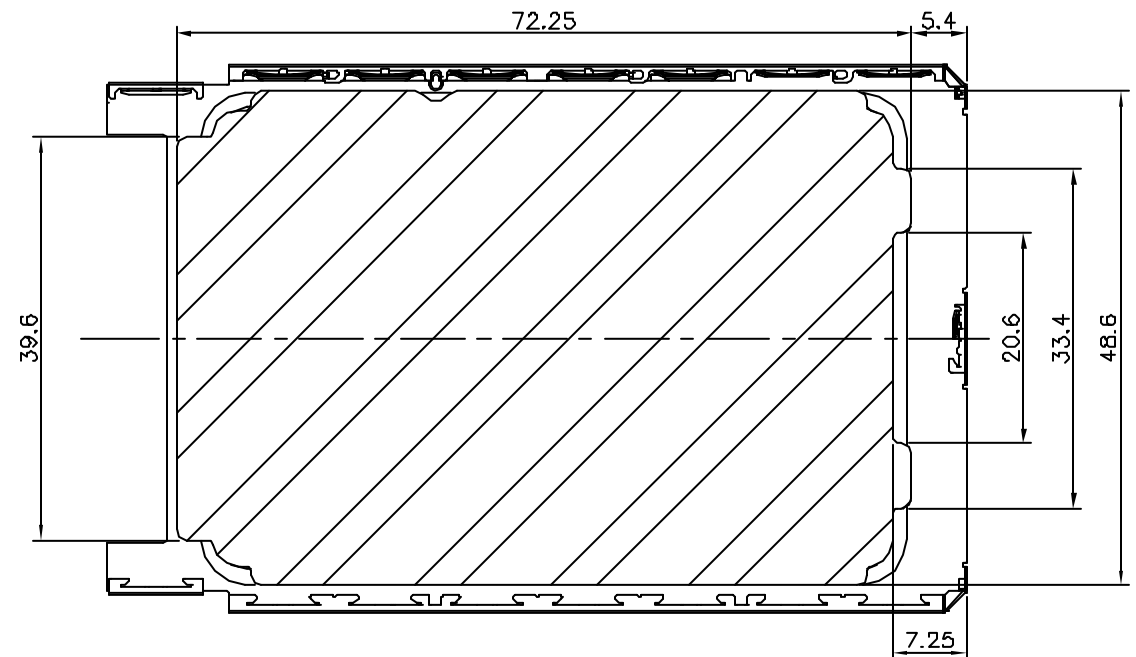
lfr	ecr	no	dr	date	surface	tolerance	projection	product family
A	H80048	GCA		98.02.12	ISO 1302	ISO 416 ISO 1101	ISO 10	PCMCIA
B	F80195	GCA		98.04.08	tolerances unless otherwise specified		mm	title
C	F90323	DLE		99.05.04	angles	linear	scale 2:1	ROCARD SHIELD TYPEII, 1x1/0, CARDBUS
D	F10514	DLE	01.08.07	dr	H VEREUKEN	98.02.12		sheet 5 of -
E	F05-0254	DLE	05.09.26	enfr	F HAUTIER	99.05.04		83808
F	F08-0138	DLE	06.02.27	chr	D LEGRAND	99.05.04		Az
G	F06-0248	DLE	06.07.28	appd	F HAUTIER	99.05.04		type
sheet index	revision	sheet						CUSTOMER Drawing

Product number	Insulator	Label recess
83808-22001LF	no	no
83808-22011LF	yes	no
83808-22101LF	no	yes
83808-22111LF	yes	yes

Product number	Packaging
83808-xxxxxLF	1000 Rocard Shield/Box
83808-xxxxxSLF	200 Rocard Shield/Box



Version: Label recess
(maximum label thickness 0.07 mm)

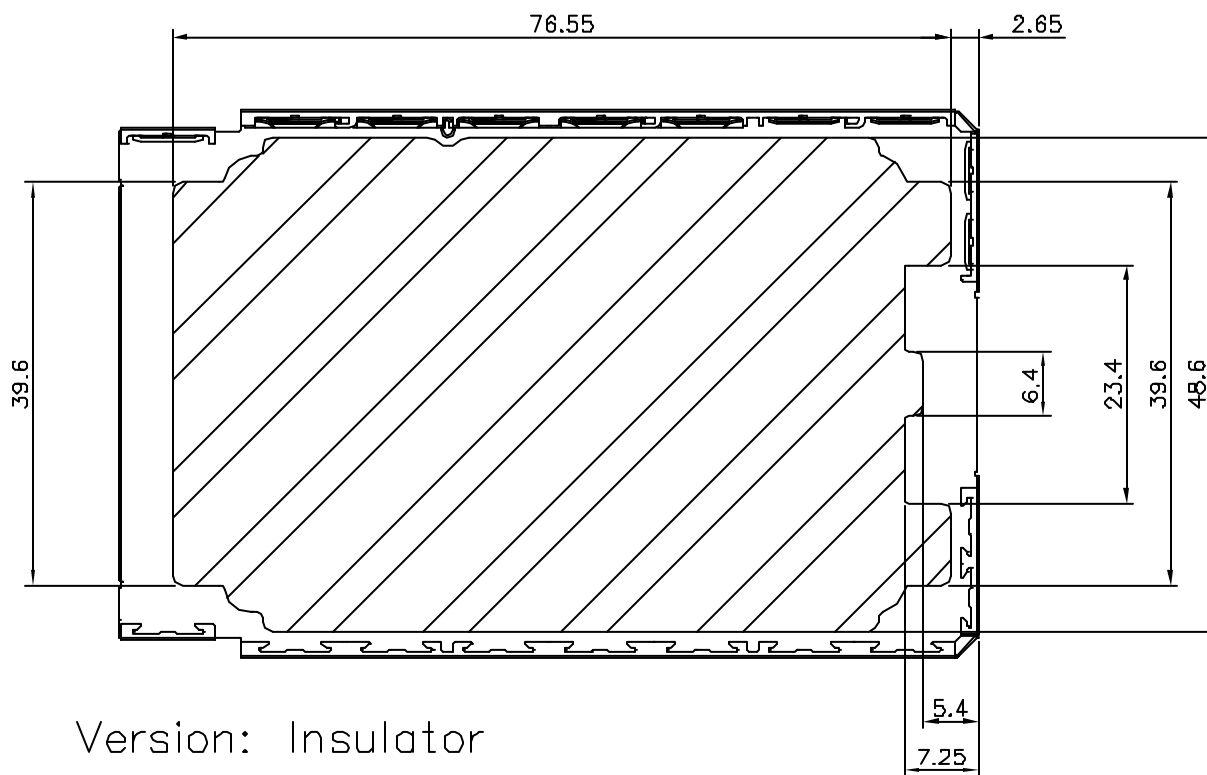
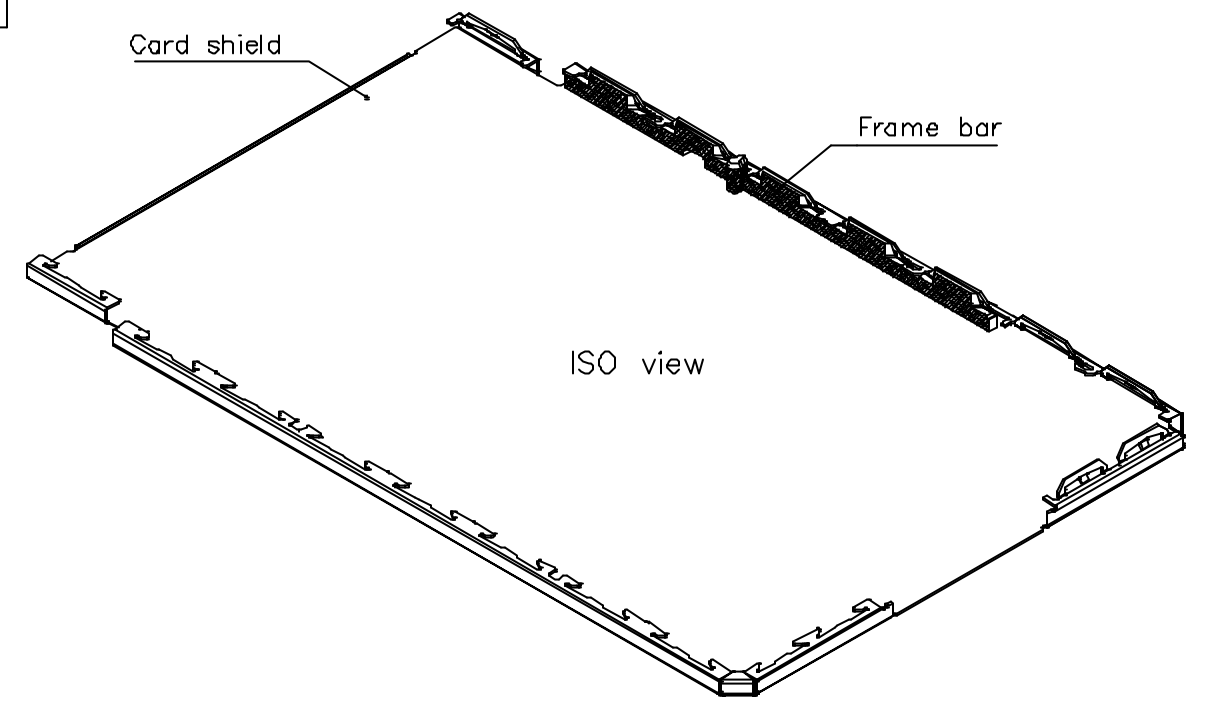
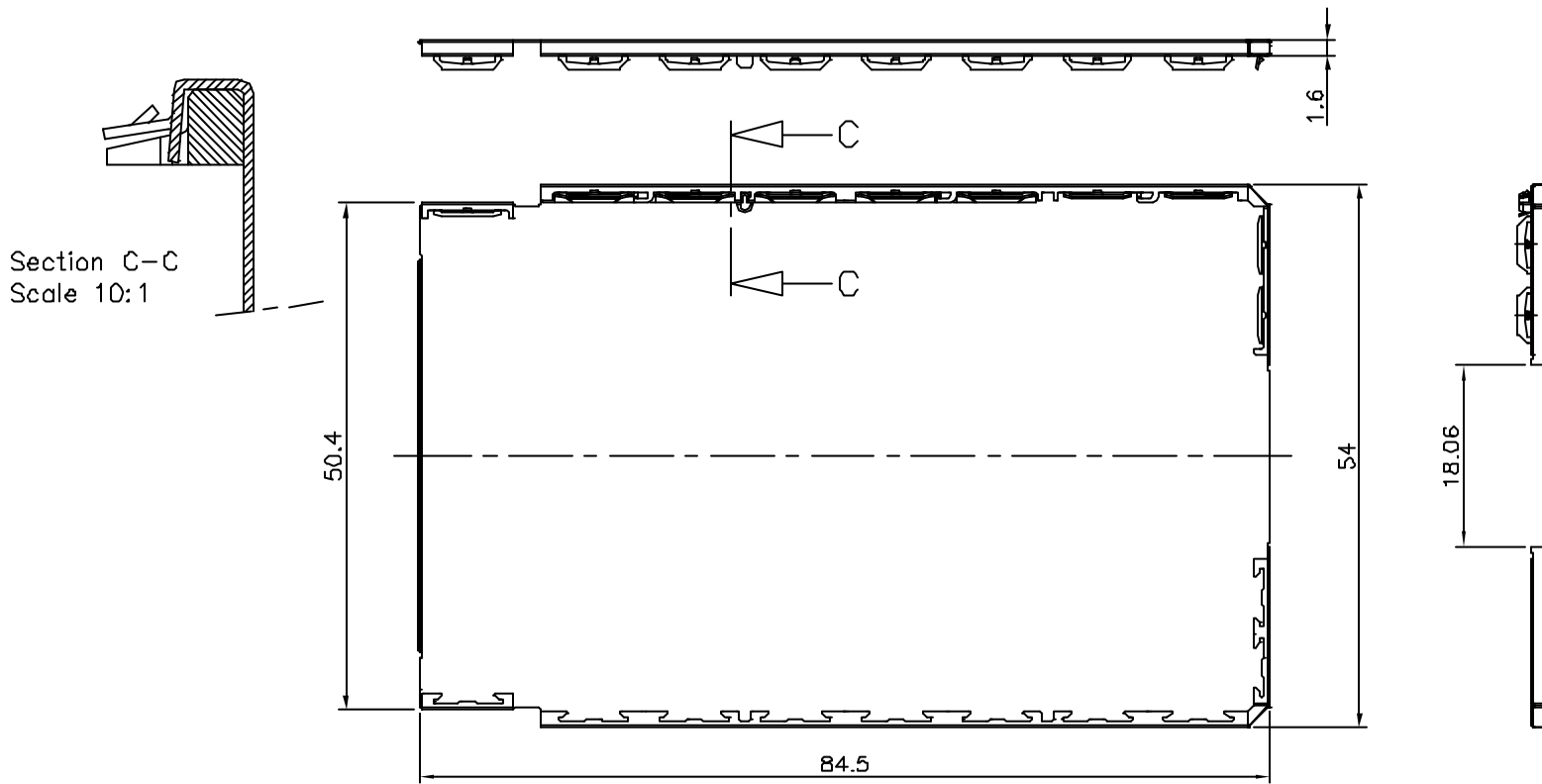


Version: Insulator
(thickness 0.07 mm)

lfr	ecr	no	dr	date	surface	tolerance	projection	product family
A	H80049	GCA	98.02.12		ISO 1302	ISO 416 ISO 1101	mm	PCMCIA
B	F80195	GCA	98.04.08		tolerances unless otherwise specified		mm	title
C	F80323	DLE	99.05.04		angles	linear	scale 2:1	ROCARD SHIELD
D	F10514	DLE	01.08.07	dr	H VEREUKEN	98.02.12		TYPE II,2xI/O,CARBUS
E	F05-0254	DLE	05.09.26	enfr	F HAUTIER	99.05.04		dwg no
F	F08-0138	DLE	06.02.27	chr	D LEGRAND	99.05.04		83808
G	F06-0248	DLE	06.07.28	app	F HAUTIER	99.05.04		sheet B of -
sheet	revision	index	sheet					type
								CUSTOMER Drawing

Product number	Insulator
83808-11000LF	no
83808-11010LF	yes

Product number	Packaging
83808-xxxxxLF	1000 Rocard Shield/Box
83808-xxxxxSLF	200 Rocard Shield/Box

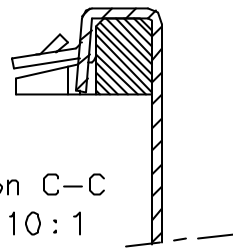


Version: Insulator
(thickness 0.07 mm)

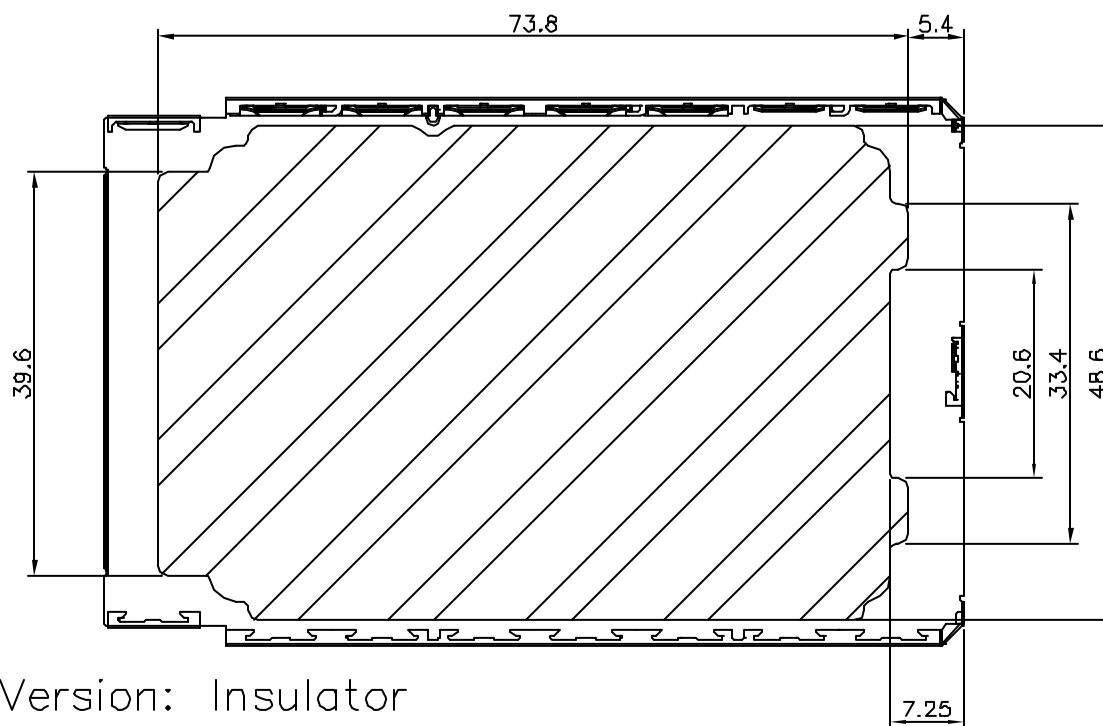
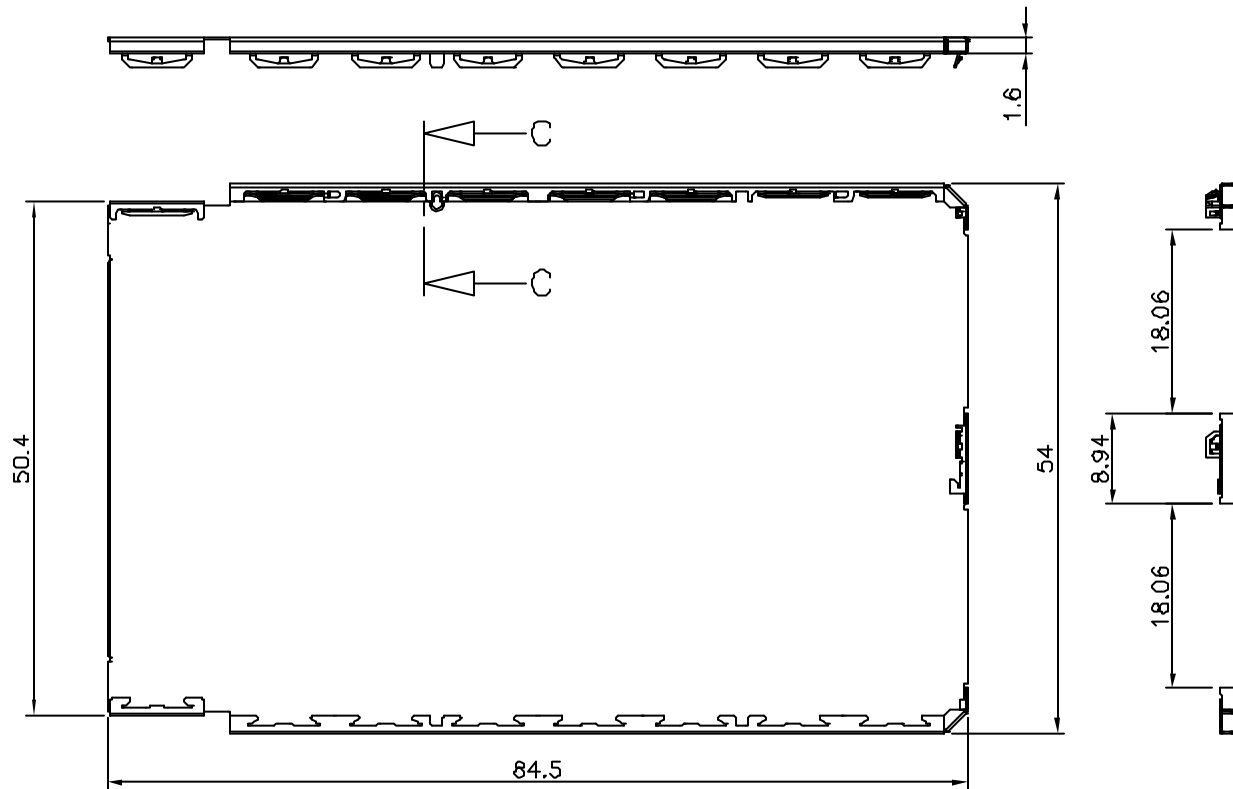
mat'l. code		surface	tolerance	projection	product family
		ISO 1302	ISO 416 ISO 1101		PCMCIA
lfr	ecn no	dr	date	title	
A	F80195	GCA	98.04.08	ROCARD SHIELD	
B	F90323	DLE	99.05.04	TYPE I, 1x1/0	
C	F10514	DLE	01.09.07	scale 2:1	sheet 7 of -
D	F05-0254	DLE	05.08.28	dr	H VEREUKEN 98.02.12
E	F08-0138	DLE	06.02.27	enfr	F HAUTIER 99.05.04
F	F08-0248	DLE	06.07.28	chr	D LEGRAND 99.05.04
sheet index		revision sheet			type CUSTOMER Drawing

Product number	Insulator
83808-12000LF	no
83808-12010LF	yes

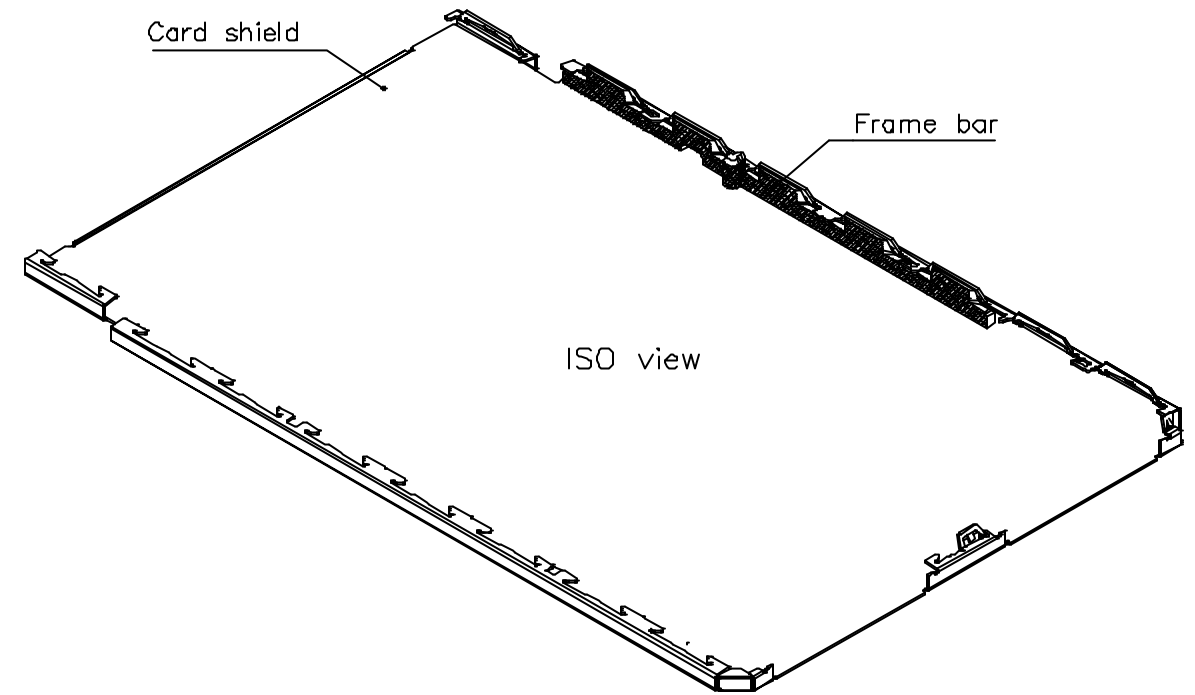
Product number	Packaging
83808-xxxxxLF	1000 Rocard Shield/Box
83808-xxxxxLFS	200 Rocard Shield/Box



Section C-C
Scale 10:1



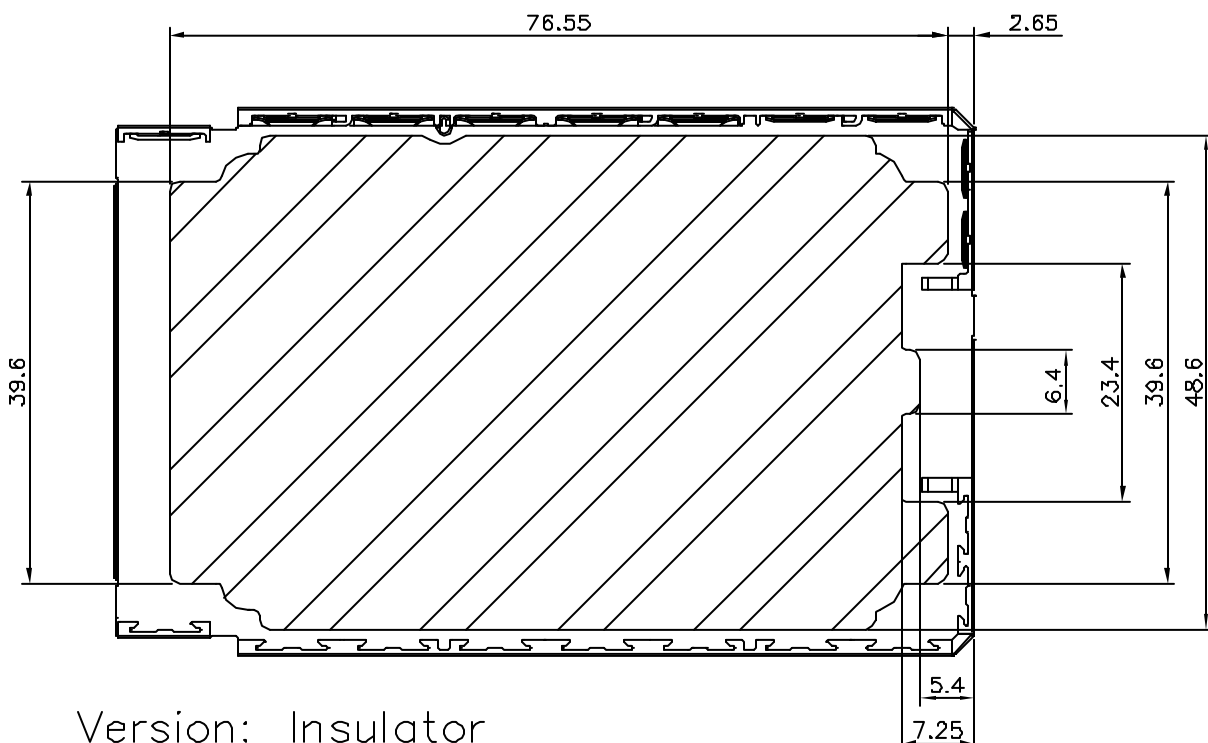
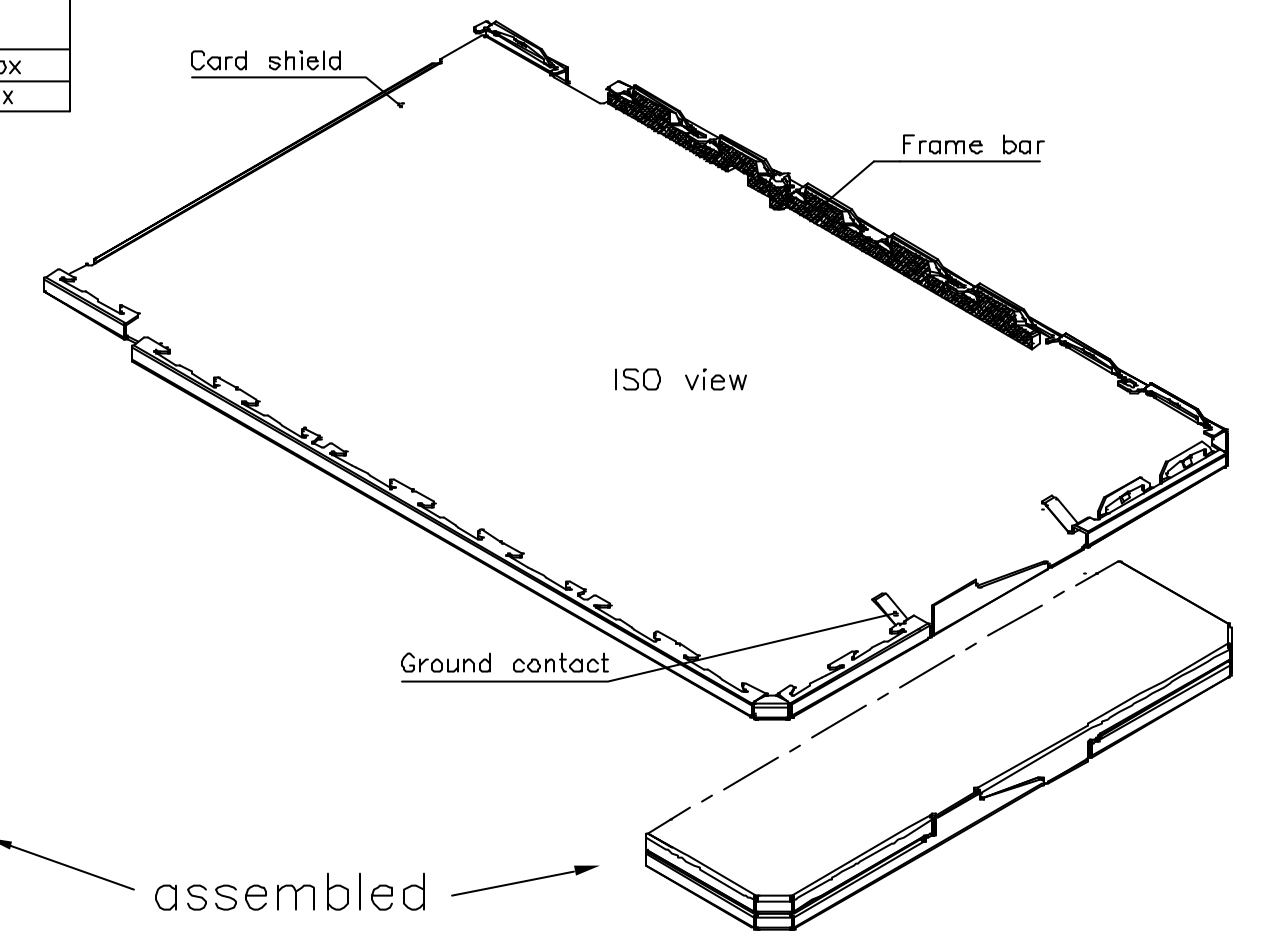
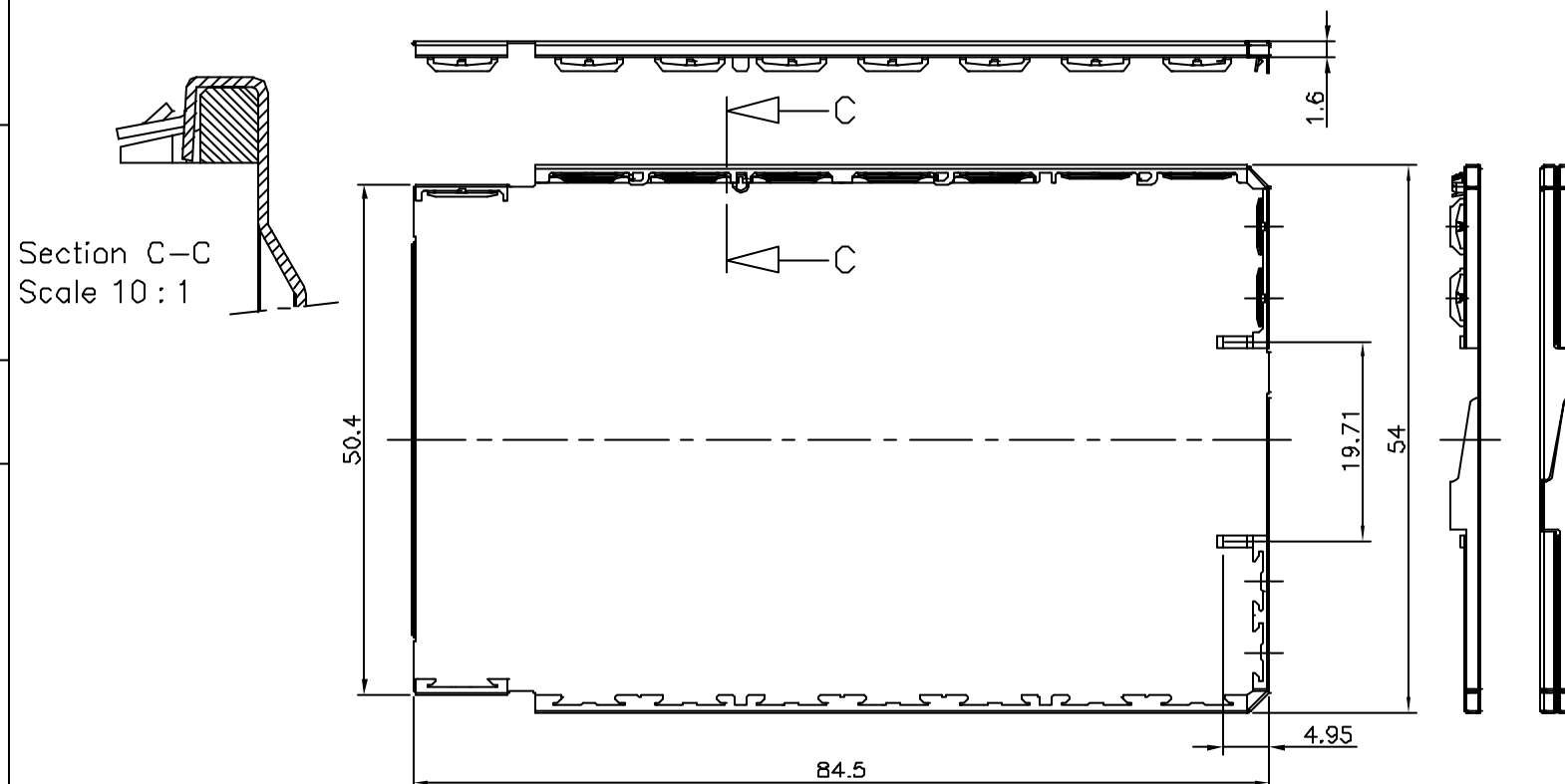
Version: Insulator
(thickness 0.07 mm)



mat'l. code	surface	tolerance	projection	product family
	ISO 1302	ISO 416 ISO 1101		PCMCIA
lfr ecn no dr date	tolerance unless otherwise specified		mm	title
A F80195 GCA 98.04.08	angles	linear	scale 2:1	ROCARD SHIELD TYPE I, 2x1/0
B F90323 DLE 99.05.04				dwg no
C F10514 DLE 01.09.07				83808
D F05-0254 DLE 05.08.28 dr H VEREUKEN 98.02.12				sheet 8 of - size
E F08-0138 DLE 06.02.27 engr F HAUTIER 99.05.04				A2
F F08-0248 DLE 06.07.28 chr D LEGRAND 99.05.04				type
				CUSTOMER Drawing
sheet index	revision sheet			

Product number	Insulator
83808-1000OLF	no
83808-1001OLF	yes

Product number	Packaging
83808-xxxxxLF	1000 Rocard Shield/Box
83808-xxxxxSLF	200 Rocard Shield/Box

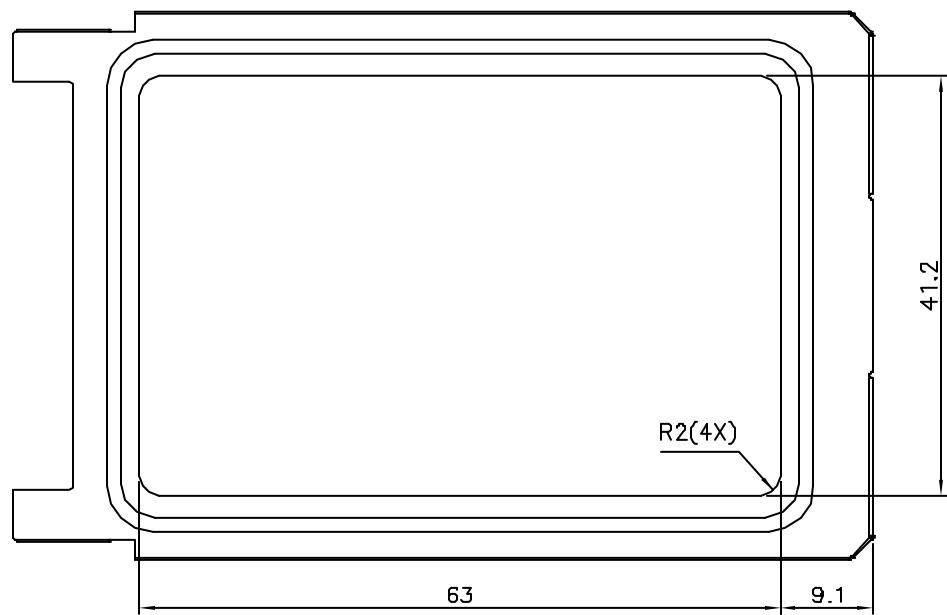
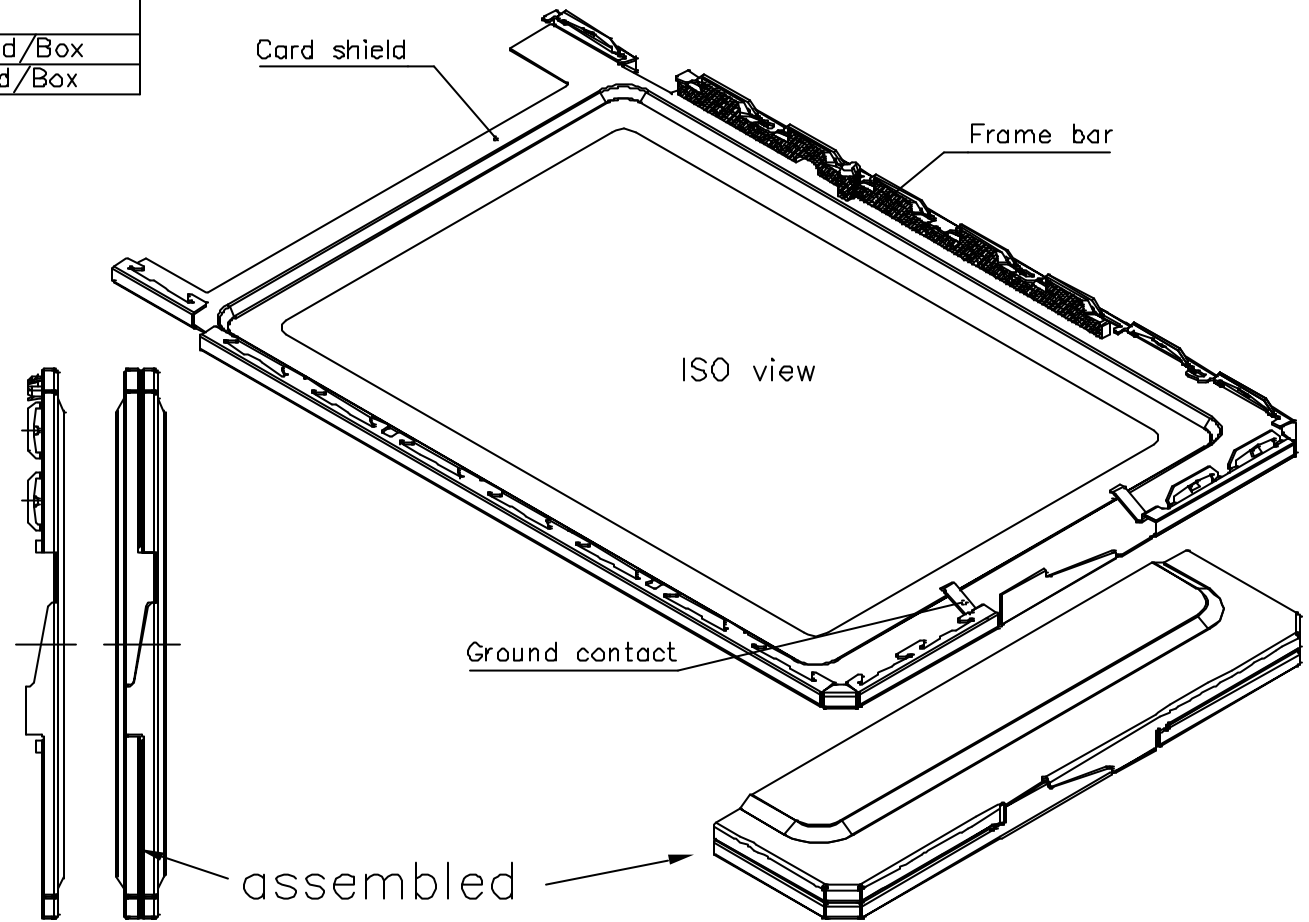
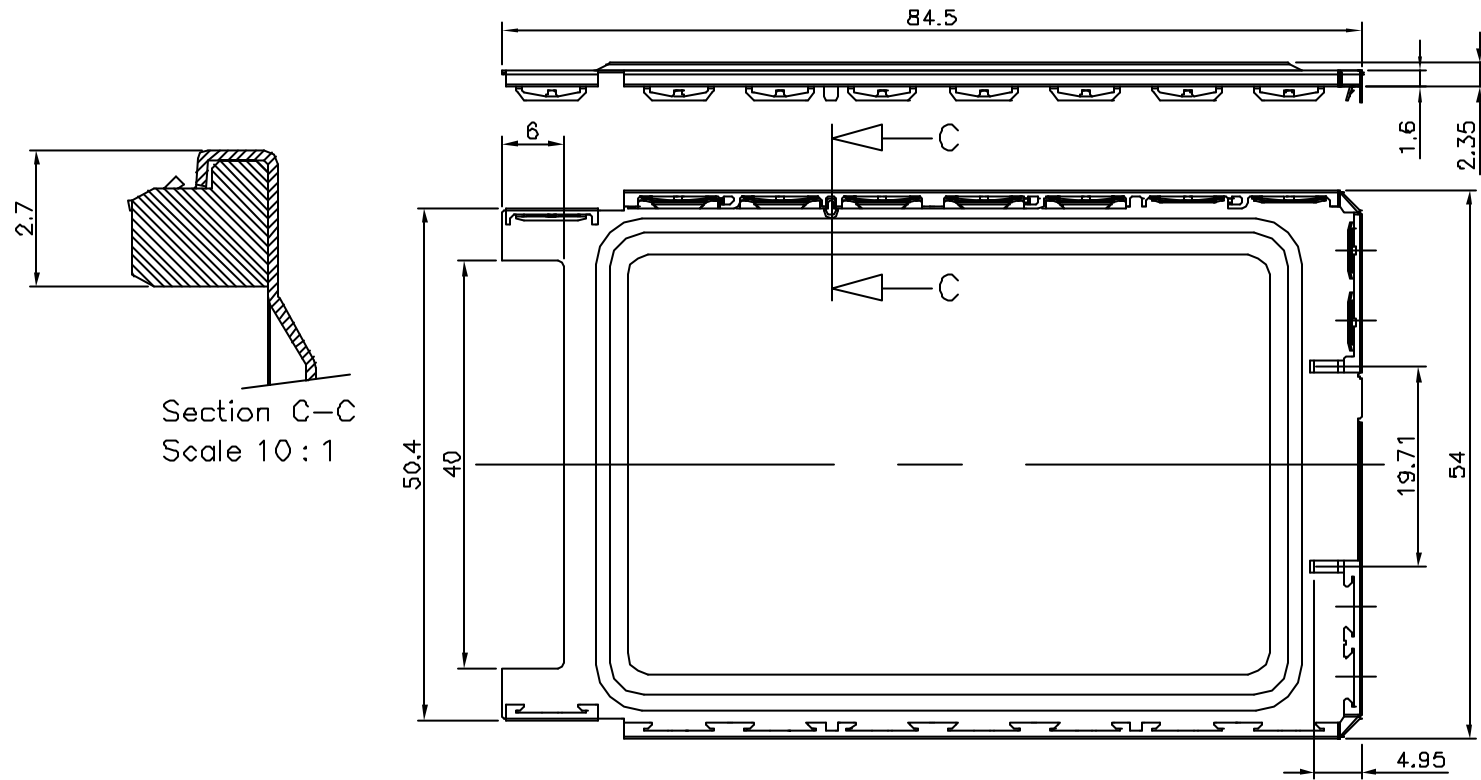


Version: Insulator
(thickness 0.07 mm)

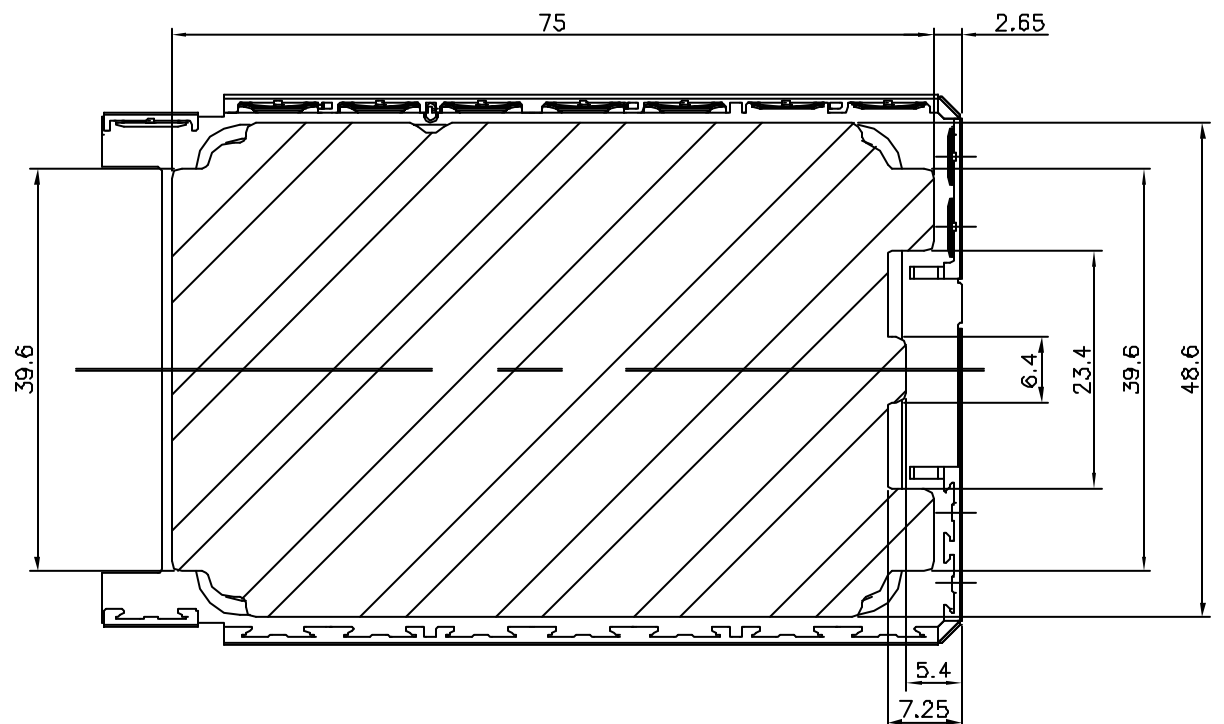
mat'l. code	surface	tolerance	projection	product family
ISO 1302	ISO 416 ISO 1101	tolerance unless otherwise specified	mm	PCMCIA
title	ROCARD SHIELD TYPE I, CLOSED END			
sheet index	revision	sheet	sheet 9 of -	size
			83808	A2
type			CUSTOMER Drawing	

Product number	Insulator	Label recess
83808-20001LF	no	no
83808-20011LF	yes	no
83808-20101LF	no	yes
83808-20111LF	yes	yes

Product number	Packaging
83808-xxxxxLF	1000 Rocard Shield/Box
83808-xxxxxSLF	200 Rocard Shield/Box



Version: Label recess
(maximum label thickness 0.07 mm)



Version: Insulator
(thickness 0.07 mm)

lfr	ecr	no	dr	date	surface	tolerance	projection	product family
A	F90655	DLE	99.10.25		ISO 1302	ISO 416 ISO 1101	mm	PCMCIA
B	F00106	LMU	00.01.19		tolerances unless otherwise specified			title
C	F10514	DLE	01.09.07		angles	linear	scale 2:1	ROCARD SHIELD TYPE II, CLOSED, CARDBUS
D	F05-0254	DLE	05.08.28	dr				sheet 10 of - size
E	F08-0138	DLE	06.02.27	engr	D LEGRAND	99.10.25		83808
F	F08-0248	DLE	06.07.28	chr	F HAUTIER	99.10.25		A2
				app	AESCHBACHER	99.10.25		type
					F HAUTIER	99.10.25		CUSTOMER Drawing
sheet index	revision sheet							