

REFERENCE SPECIFICATIONS

-NFC 93425 (in compliance with HE 507)

PHYSICAL CHARACTERISTICS

-INSULATOR MATERIAL: THERMOPLASTIC .UL94V0

-ACCESSORIES: BRASS

-SHELLS: STEEL

ELECTRICAL CHARACTERISTICS

-CONTACT/CONTACT : >=1000 V

-CONTACT/GROUND : >=1200 V

-INSULATION RESISTANCE: >=5000 MOhms

ENVIRONMENTAL CHARACTERISTICS

- CLIMATIC CATEGORY: 55/125/21

TEMPERATURE RANGE -55°C TO +125°C

DAMP HEAT STEADY STATE 21 DAYS

SALT SPRAY 24 HOURS

MECHANICAL CHARACTERISTICS

- RETENTION AGAINST TORQUE: - Threaded insert: 0.7 N.m minimum

- Female screw : 0.5 N.m minimum

NOTE RoHS INFORMATION

- The "LF" products meet european union Directives and other country regulations as described in GS-22-008.

- Shell plating :2 to 4 µm Cu+ Ni + 3 to 10µm Sn(pure bright)

- Accessories: Sn pure bright + nickel

- Packaging spec: See GS-14-920

Series ← DBL5W5SA00LF

Shell size: E A B C
see sheet 2

Front accessory definition
see sheet 2

Blank :without accessory

L : Threaded insert M3

O : Threaded insert UNC 4-40

V : Female screw UNC 4-40

See note RoHS

Layout of contacts (see sheet 3)

Contacts ←

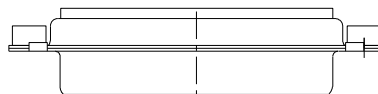
S :Socket

PCB accessory definition

A without accessory on PCB

Power contacts ←

00 without power contact



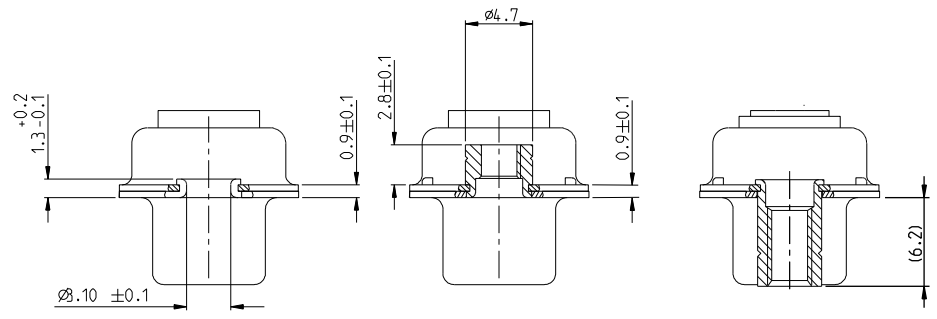
www.fciconnect.com		Surface ISO 1302	-	Tolerance std ISO 406	ISO 1101	projection ASME	mm	
TOLERANCES UNLESS OTHERWISE SPECIFIED								
Dr	M PESSON	2005-10-11	ANGULAR	0.X	±0.3	size	A2	
Eng	P LEGARE	2005-10-11	LINEAR	0.XX	±0.1	Scale	2:1	
Chr			0°	±2°	0.XXX	±0.05	ECN F09-0074	
Appr			Product family				Spec ref	
Rev	ecn no	dr	date	Title				Rev.
A	LS05-0113	HPE	2005-11-28	SUB FEMALE DW				D
B	LS06-0208	LGO	2006-12-13	full power without contact				
C	LS07-0273	HPE	2007/11/05	catalogue				
D	F09-0074	LSA	2009-08-18					

PDM: Rev:D

STATUS: Released

Printed: Aug 26, 2009

Copyright FCI



FRONT ACCESSORY	Blank without	L	insert M3	V	Female screw UNC 4-40
PCB ACCESSORIES	A without	A	without	A	without

PART NUMBER	FRONT ACCESSORY	PCB ACCESSORY
D*xW xSA00LF	WITHOUT	WITHOUT
D*VxW xSA00LF	Female screw UNC 4-40	WITHOUT
D*LxW xSA00LF	Insert M3	WITHOUT
D*0xW xSA00LF	Insert UNC 4-40	WITHOUT

shell size	LAYOUTS
E	2V2
A	3V3
A	3W3
B	5W5
C	8W8

Copyright FCI. FCI

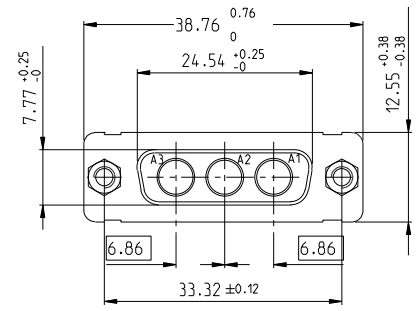
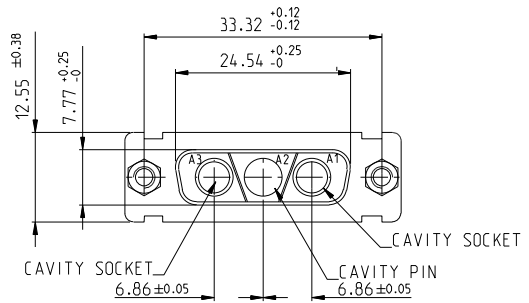
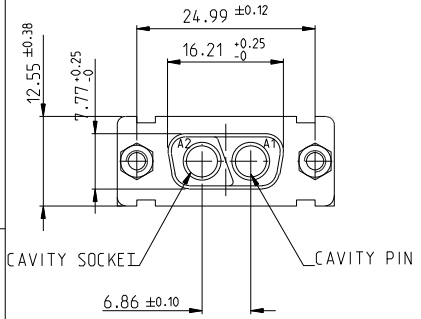
www.fciconnect.com		surface ISO 1302	tolerance std ISO 406 ISO 1101	projection	mm
TOLERANCES UNLESS OTHERWISE SPECIFIED					
Dr	M PESSON	2005-10-11	ANGULAR	0.X ±0.3	size A2
Eng	P LEGARE	2005-10-11	LINEAR	0.XX ±0.1	Scale 2:1
Chr			0° ±2°	0.XXX ±0.05	ECN F09-0074
Appr			Product family	-	Spec ref
title SUB FEMALE DW			Rev. D		Rev.
full power without contact			C01-8639-2311		sheet 2 of 4
catalog no			CUSTOMER		Printed: Aug 26, 2009

SCALE:4

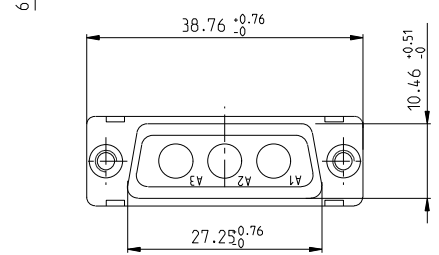
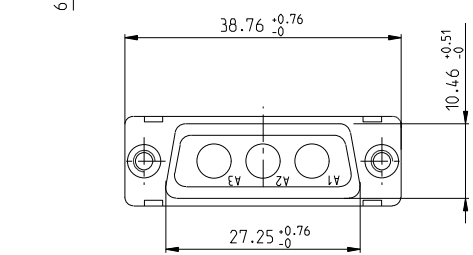
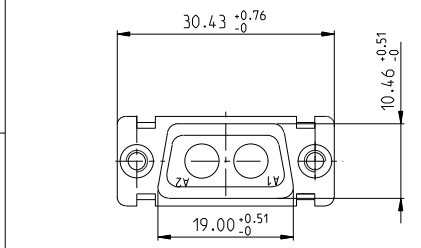
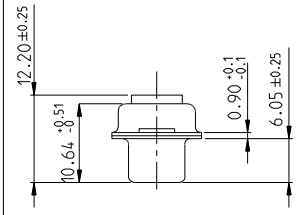
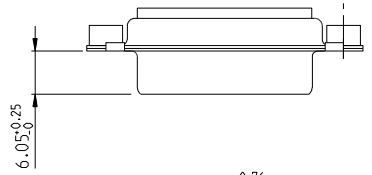
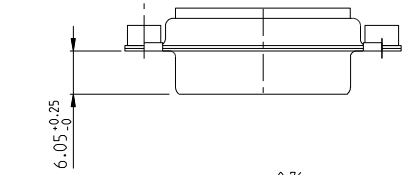
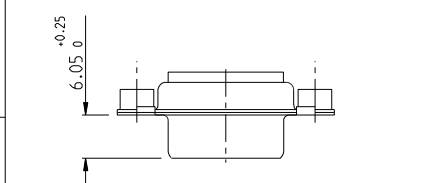
2V2

3V3

3W3



SIDE VIEW FOR LAYOUTS: E A B C

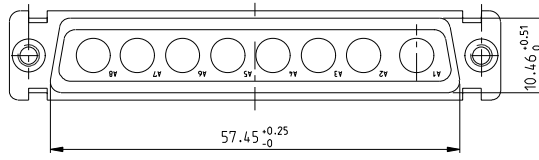
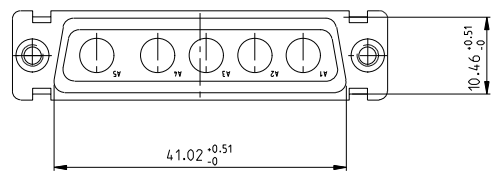
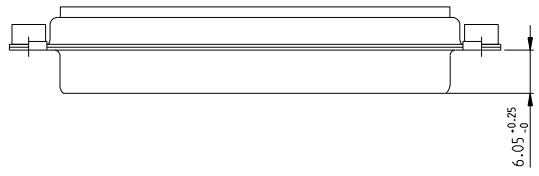
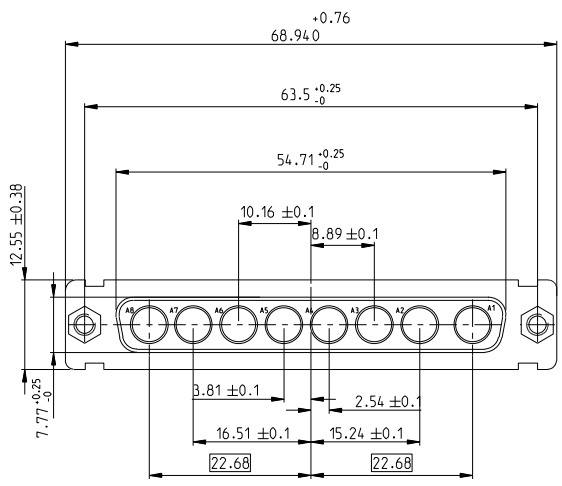
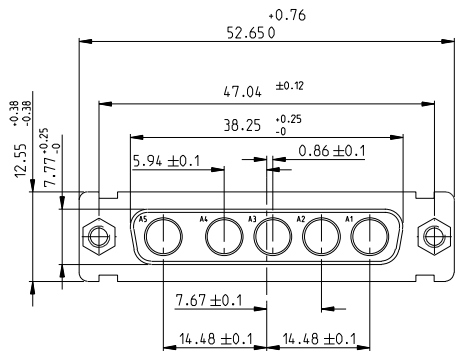


Copyright FCI. FCI

www.fciconnect.com		Surface ISO 1302	tolerance std ISO 406 ISO 1101	projection	mm
TOLERANCES UNLESS OTHERWISE SPECIFIED					
Dr	M PESSON	2005-10-11	ANGULAR	0.X ±0.3	size A2 Scale 2:1
Eng	P LEGARE	2005-10-11	LINEAR	0.XXX ±0.1	ECN F09-0074
Chr			0° ±2°	±0.05	Spec ref
Appr			Product family	-	
title SUB FEMALE DW full power without contact			part no C01-8639-2311		Rev. D

5W5

8W8



Copyright FCJ

www.fciconnect.com		Surface ISO 1302	tolerance std ISO 406 ISO 1101	projection	mm
TOLERANCES UNLESS OTHERWISE SPECIFIED					
Dr	M PESSON	2005-10-11	ANGULAR	0.X ±0.3	size A2 Scale 2:1
Eng	P LEGARE	2005-10-11	LINEAR	0.XXX ±0.1	
Chr			0° ±2°	0.XXX ±0.05	ECN F09-0074
Appr			Product family	-	Spec ref

FCJ	title SUB FEMALE DW full power without contact	Rev. D
catalog no	01-8639-2311	CUSTOMER sheet 4 of 4