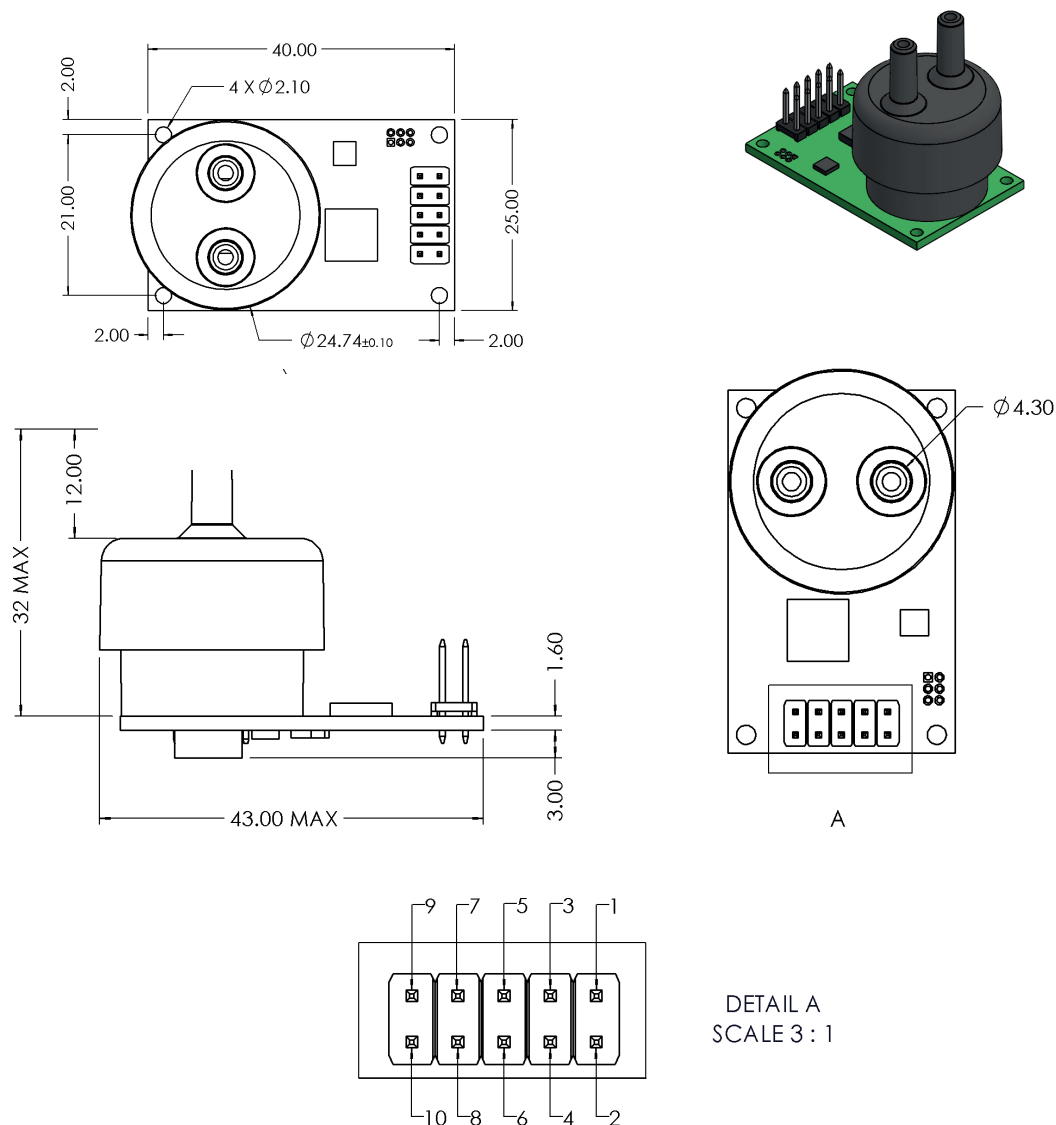


## SprintIR®-W

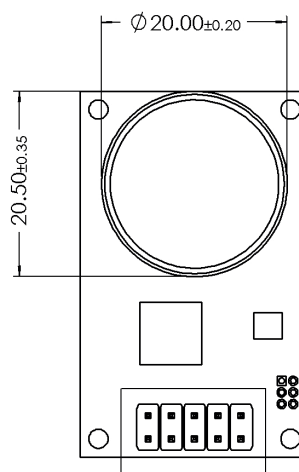
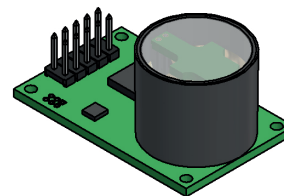
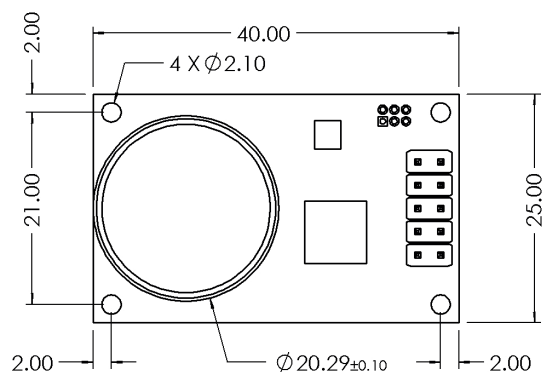


FUNCTION	PIN #	PIN #	FUNCTION
FRESH AIR ZERO	10	9	N/C
NITROGEN ZERO	8	7	SENSOR Tx (OUT)
GND	6	5	SENSOR Rx (IN)
GND	4	3	+3.3V
N/C	2	1	GND

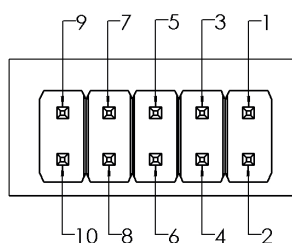
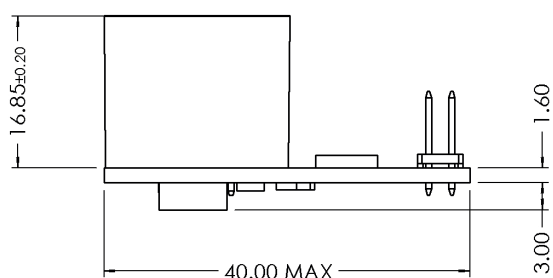
THIS INFORMATION SUPPLIED BY GSS IS BELIEVED TO BE ACCURATE AND RELIABLE.  
HOWEVER NO RESPONSIBILITY IS ASSUMED BY GSS LTD FOR ITS USE.

Document version no: **24/07/18-001**

# Technical drawings



A



DETAIL A  
SCALE 3 : 1

FUNCTION	PIN #	PIN #	FUNCTION
FRESH AIR ZERO	10	9	N/C
NITROGEN ZERO	8	7	SENSOR Tx (OUT)
GND	6	5	SENSOR Rx (IN)
GND	4	3	+3.3V
N/C	2	1	GND

THIS INFORMATION SUPPLIED BY GSS IS BELIEVED TO BE ACCURATE AND RELIABLE.  
HOWEVER NO RESPONSIBILITY IS ASSUMED BY GSS LTD FOR ITS USE.

Document version no: **24/07/18-001**

60-62 Grayhill Road  
Westfield North Courtyard  
Cumbernauld G68 9HQ

Tel: +44 (0) 1236 781 900  
info@gassensing.co.uk  
www.gassensing.co.uk

**GSS**  
Gas Sensing Solutions