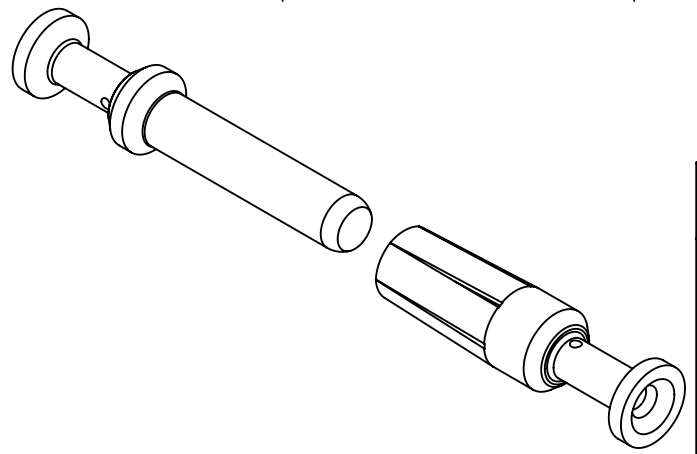
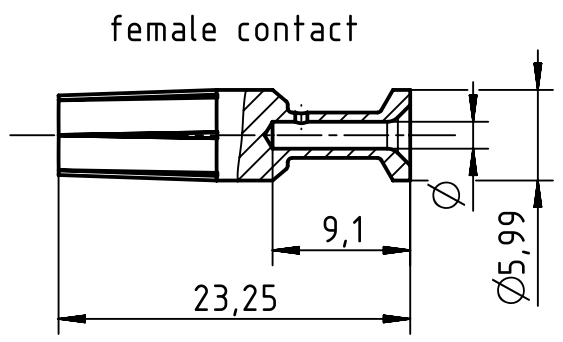
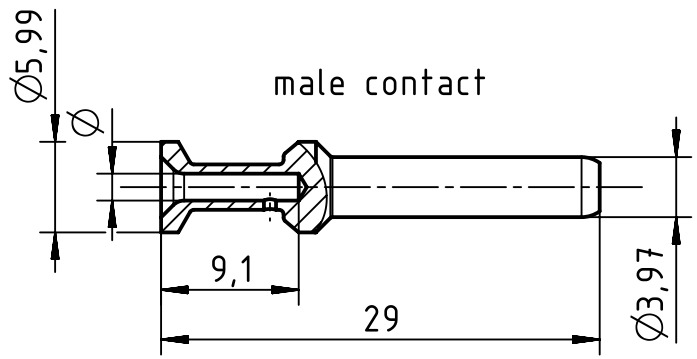


1 2 3 4 5 6

A  
B  
C  
D



part no. 09 32 000...		Ø	wire gauge		stripping length	recommend crimping tools			
male contact	female contact		mm <sup>2</sup>	AWG		09 99 000 0888	09 99 000 0110	09 99 000 0001	09 99 000 0377
6109	6209	4,3	10,0	8	depending on isolation body				X
6108	6208	3,53	6,0	10	9,5				X
6107	6207	2,88	4,0	12		X	X	X	X
6106	6206	2,58	3,0	12		X	X	X	
6105	6205	2,28	2,5	14		X	X	X	
6104	6204	1,78	1,5	16		X	X	X	

	All Dimensions in mm Original Size DIN A4	Scale 2:1	Free size tol.		Ref.		
	All rights reserved Department EL PD	Created by WULF	Inspected by SPILKERN	Standardisation GARSKE	Date 2019-05-27	State Final Release	
Title Han C-SMC-male/female contacts-crimp-Ag					Doc-Key / ECM-Nr. 100821744/UGD/009/E 500000152761		
HARTING Electric GmbH & Co. KG D-32339 Espelkamp		Type TB	Number 09 32 000 6X0X			Rev. E	Page 1/1