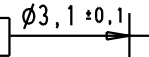
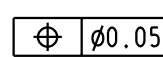
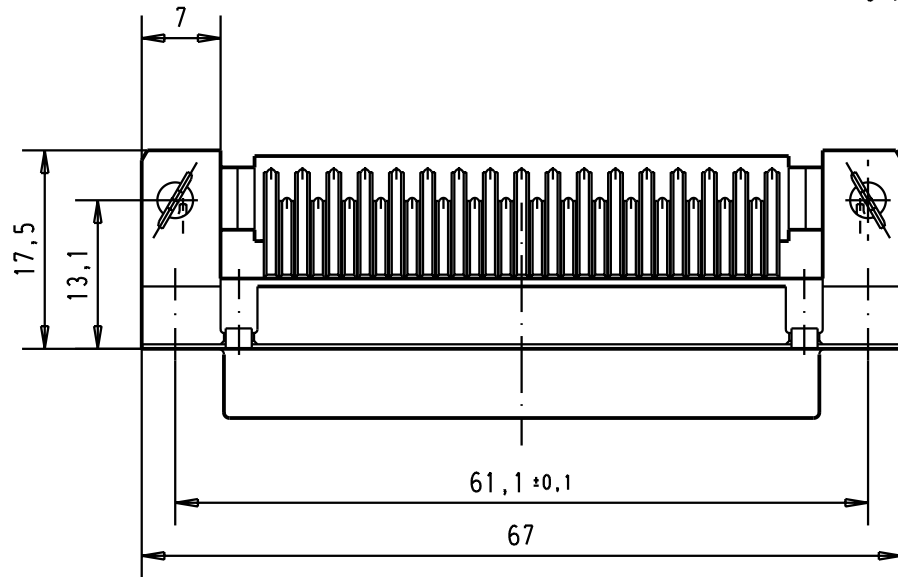
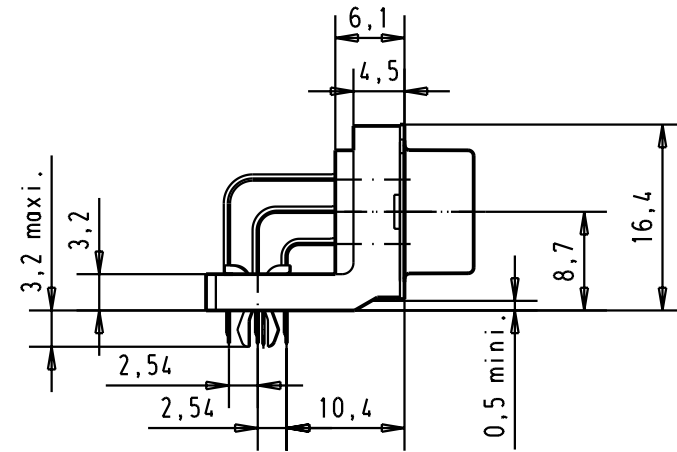
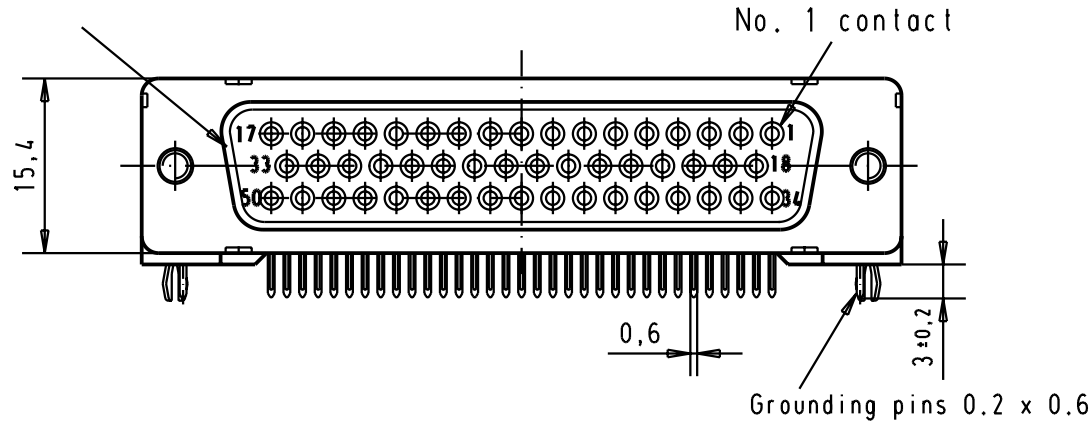
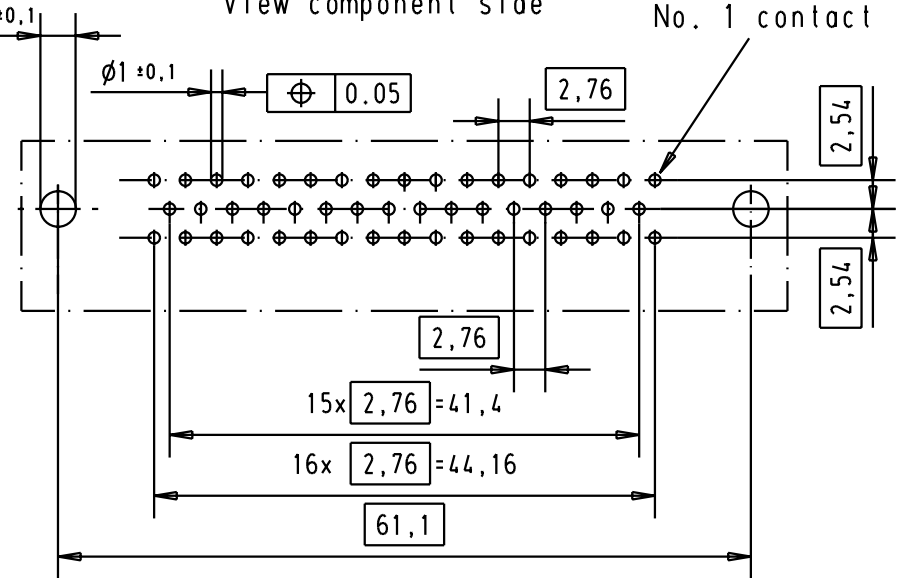


Mating face according to MIL-C-24308 / DIN 41 652 / CECC 75301-802



Printed board layout (1,6±0,2 thick)
View component side



Mounting force on Printed board : 25 - 80 N

A	09 66 552 6611	M3	2							 All Dim. in mm Orig. Size DIN A 4	D-Sub female angled 50 poles with solder pins, nuts, board lock and grounding pins	Maßstab/ Scale 1,5:1	
	09 66 552 7611	M3	3					Detail.	17-OCT-01				JB
	09 66 552 5611	M3	0,76 µm Au					Insp.					
	09 66 552 6612	4-40 UNC	2	31084	04/09/02	YT		Stand.					
	09 66 552 7612	4-40 UNC	3	29743	10/01/02	S.H.							
	09 66 552 5612	4-40 UNC	0,76 µm Au	29722	17-OCT-01	JB	HARTING EURL F-95972 Paris				TB 09 66 552 X61X	Blatt/ Page 1 / 1	
	Part number	nut thread	Performance level	Mod.	Dat.	Name	Sub.						