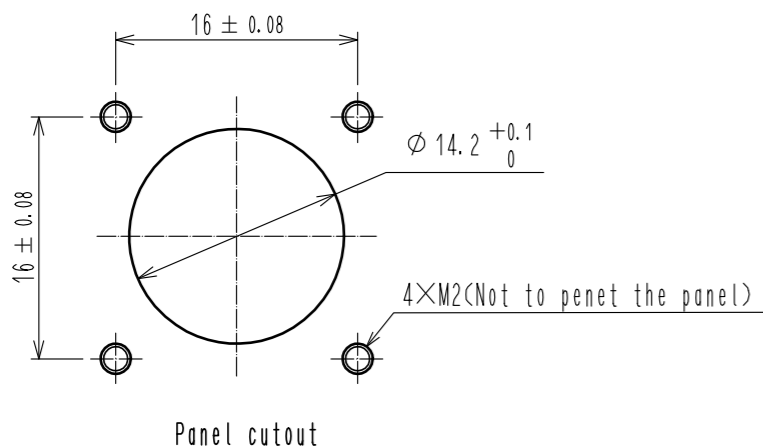
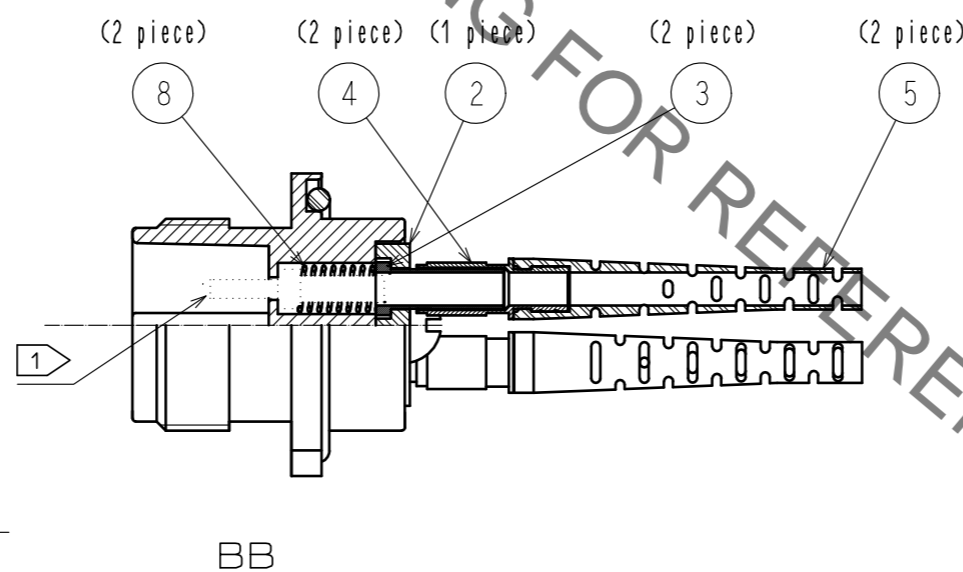
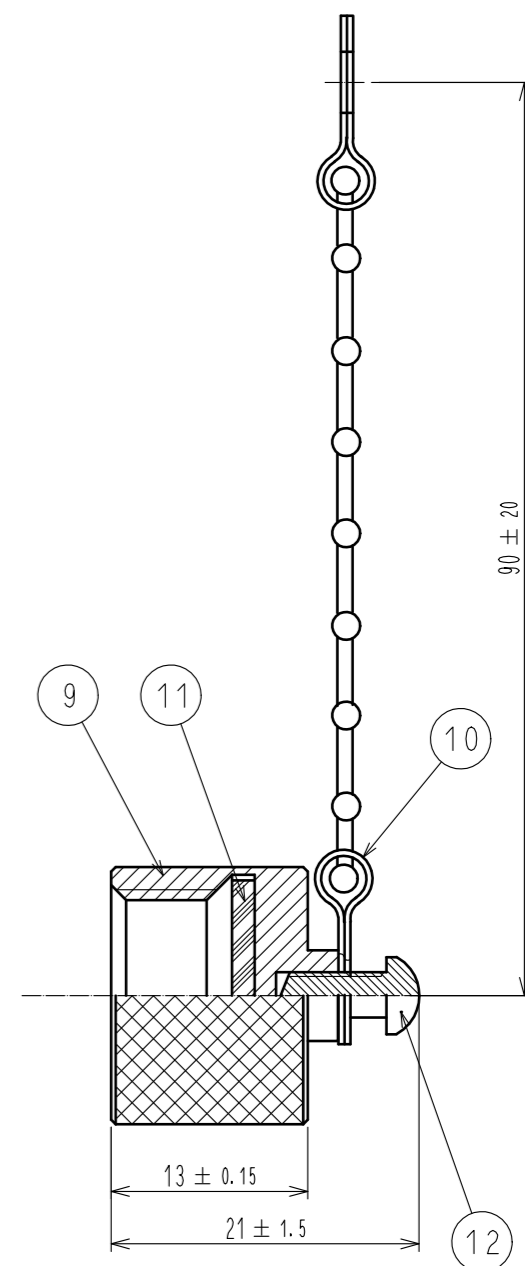
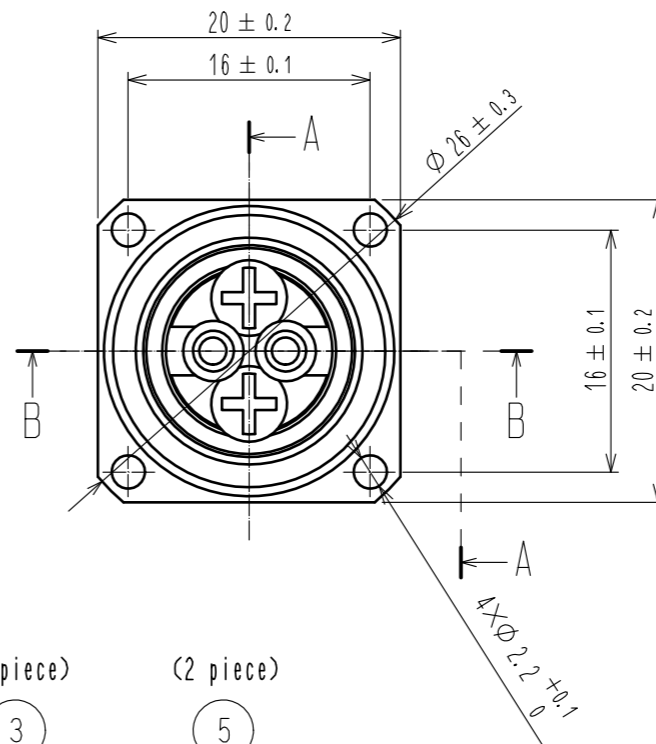
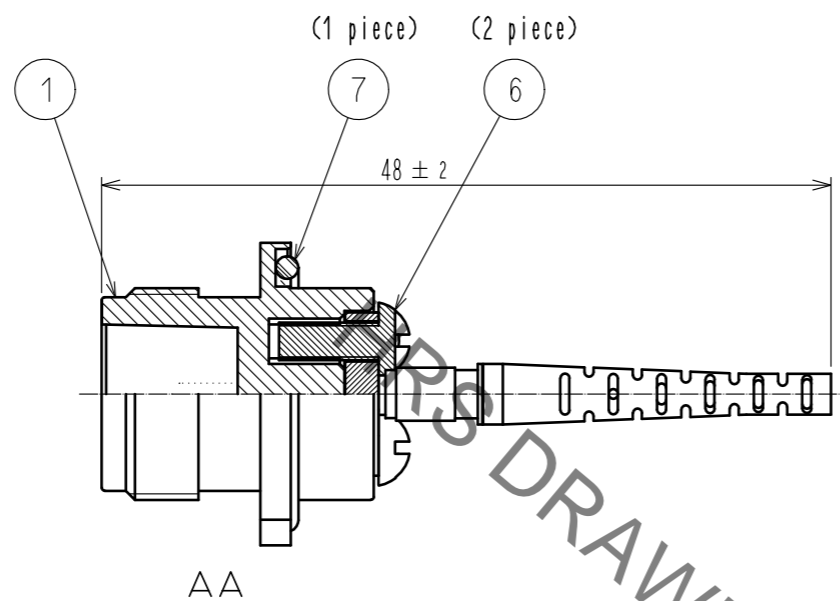
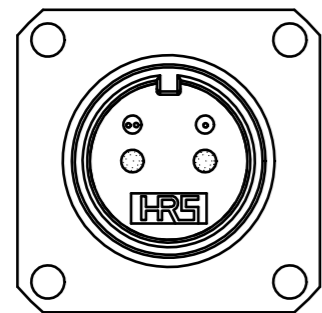


Jun.1.2020 Copyright 2020 HIROSE ELECTRIC CO., LTD. All Rights Reserved.
 In case of consideration for using Automotive equipment / device which demand high reliability, kindly contact our sales window correspondents.



Note 1 Ferrules are not included in this product. Please use an optional MU ferrule.
 2. The assembled cap is inserted into this product and delivered.

6	Stainless steel		12	Stainless steel	Nyrock
5	TEPP	Color: Mauve	11	SIR	Color: Transparent
4	Brass	Nickel plating	10	Stainless steel	
3	Brass	Nickel plating	9	Aluminum alloy	Anodic oxide coating(Black)
2	Brass	Nickel plating	8	Piano wire	Zinc plating
1	Zinc die casting	Chrome plating (Black)	7	EPR	Color: Black
NO.	MATERIAL	FINISH . REMARKS	NO.	MATERIAL	FINISH . REMARKS

UNITS mm		SCALE 2 : 1	COUNT 	DESCRIPTION OF REVISIONS	DESIGNED	CHECKED	DATE
APPROVED : MT. SHIBUTANI 18.03.30				DRAWING NO. EDC-176272-33-00			
CHECKED : MT. SHIBUTANI 18.03.30				PART NO. MF10S-WDRFC01-0200(33)			
DESIGNED : SI. MATSUMOTO 18.03.30				CODE NO. CL709-0526-1-33			
DRAWN : SR. TOYOKAWA 18.03.30							