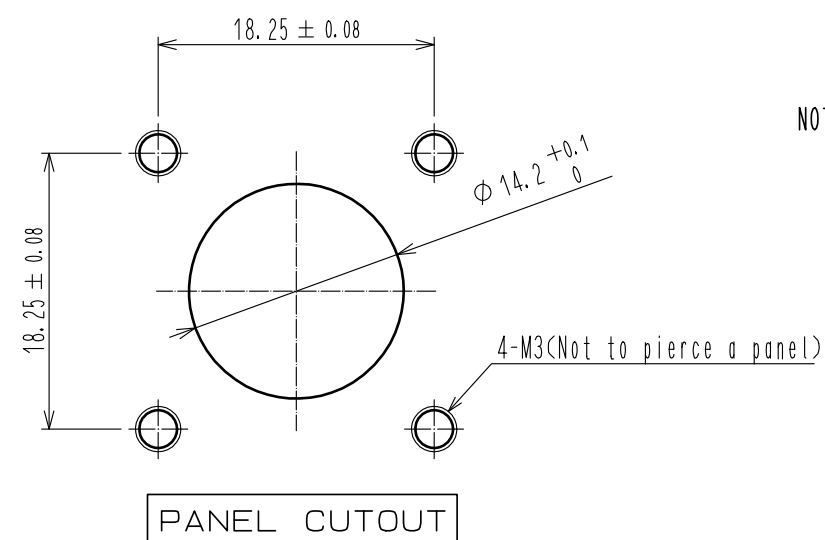
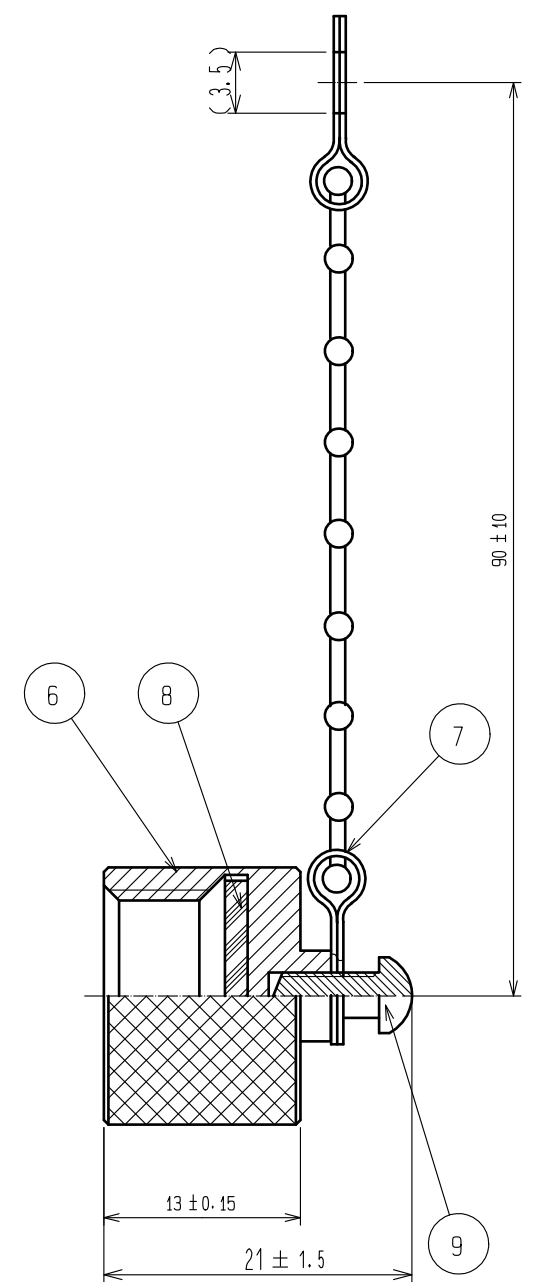
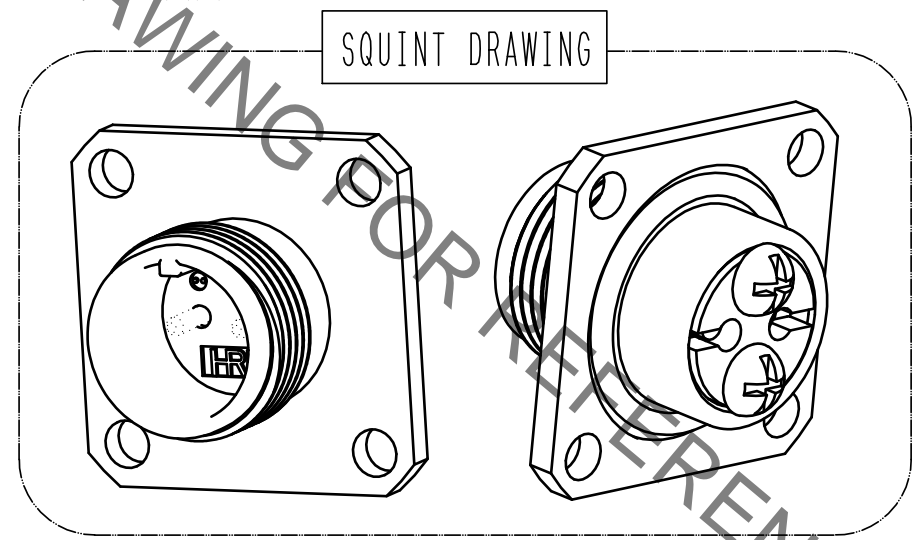
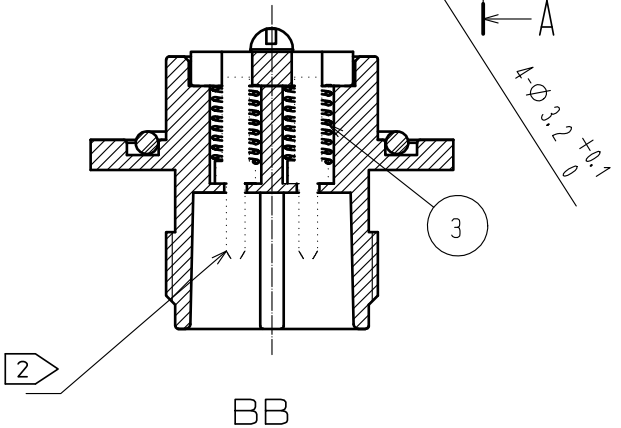
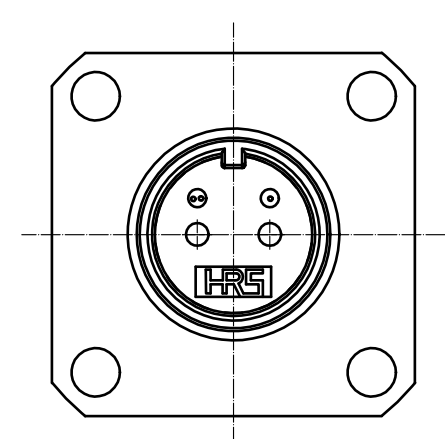
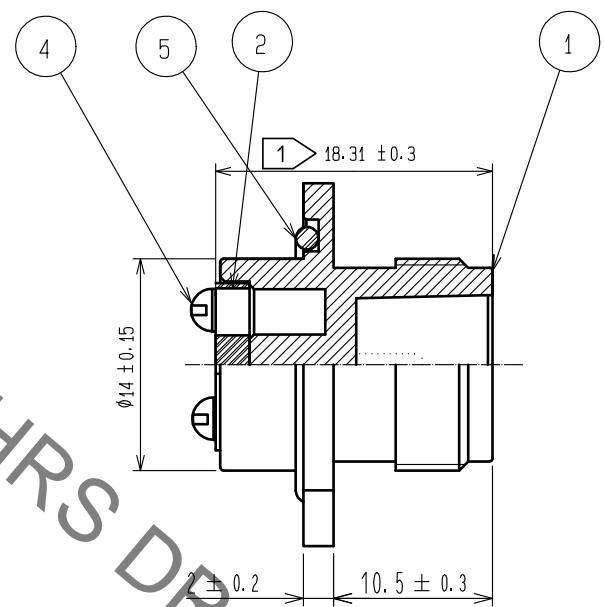
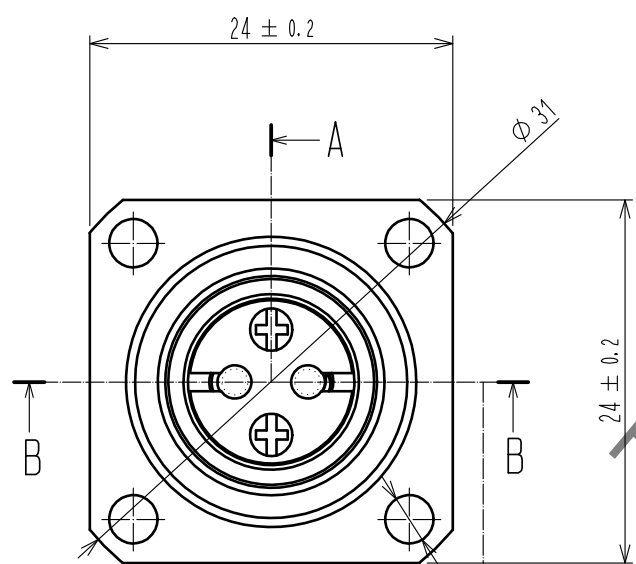


Jun.1.2020 Copyright 2020 HIROSE ELECTRIC CO., LTD. All Rights Reserved.
 In case of consideration for using Automotive equipment / device which demand high reliability, kindly contact our sales window correspondents.



NOTE 1 THIS DIMENSION SHOWS AFTER ASSEMBLING.
 2 THIS PART IS NOT CONTAINED. PLEASE USE AN OPTIONAL MU FERRULE.

Depnd on system

| NO. | MATERIAL | FINISH . REMARKS | NO. | MATERIAL | FINISH . REMARKS |
|-----|------------------|------------------|-----|------------------|----------------------|
| 5 | SYNTHETIC RUBBER | | 9 | STAINLESS STEEL | NYELOCK |
| 4 | STAINLESS STEEL | | 8 | SYNTHETIC RUBBER | |
| 3 | PIANO WIRE | ZINC PLATING | 7 | STAINLESS STEEL | |
| 2 | SYNTHETIC RESIN | | 6 | ALUMINIUM ALLOY | ANODIC OXIDE COATING |
| 1 | ZINC DIECAST | NICKEL PLATING | | | |

| UNITS | SCALE | COUNT | DESCRIPTION OF REVISIONS | DESIGNED | CHECKED | DATE |
|-------|-------|-------|--------------------------|----------|-------------|------------|
| mm | 2 : 1 | 1 | DIS-K-00001425 | TY. SATO | FS. YOSHIDA | 18. 03. 26 |

| APPROVED | DATE | DRAWING NO. |
|---------------|------------|-------------------------|
| MT. SHIBUTANI | 18. 03. 16 | EDC-176610-34-00 |
| CHECED | DATE | PART NO. |
| FS. YOSHIDA | 18. 03. 16 | MF10S-WDRFNG01-0200(34) |
| DESIGNED | DATE | CODE NO. |
| SI. MATSUMOTO | 18. 03. 16 | CL709-0549-7-34 |
| DRAWN | DATE | |
| SR. TOYOKAWA | 18. 03. 16 | |