

APPLICABLE STANDARD		USB3.0 SPECIFICATION AND MICRO-USB CABLE AND CONNECTORS SPECIFICATION.				
RATING	OPERATING TEMPERATURE RANGE	-30°C TO +85°C		STORAGE TEMPERATURE RANGE	-30°C TO +60°C	
	VOLTAGE	30V AC		OPERATING HUMIDITY RANGE	- % TO - %	
	CURRENT	SIGNAL ONLY	1 A / pin		APPLICABLE CABLE	OUTER DIAMETER OF CABLE : φ 3.3
POWER APPLY		1.8 A / pin(PIN No.1, No.5)				
		0.5 A / pin(PIN No.2-No.4)				
<b>SPECIFICATIONS</b>						
ITEM		TEST METHOD		REQUIREMENTS	QT	AT
<b>CONSTRUCTION</b>						
GENERAL EXAMINATION		VISUALLY AND BY MEASURING INSTRUMENT.		ACCORDING TO DRAWING.	X	X
MARKING		CONFIRMED VISUALLY.			X	X
<b>ELECTRICAL CHARACTERISTICS</b>						
CONTACT RESISTANCE		100 mA (DC OR 1000 Hz).		30 mΩ MAX.	X	X
INSULATION RESISTANCE		500 V DC.		1000 MΩ MIN.	X	X
VOLTAGE PROOF		100 V AC FOR 1 min.		NO FLASHOVER OR BREAKDOWN.	X	X
CAPACITANCE		MEASURE ADJACENT TWO CONTACTS AT 1000 ± 10 Hz AC VOLTAGE.		2 pF MAX.	X	-
<b>MECHANICAL CHARACTERISTICS</b>						
INSERTION AND WITHDRAWAL FORCES		A MAXIMUM RATE OF 12.5 mm/min MEASURED BY APPLICABLE CONNECTOR.		INSERTION FORCE 35 N MAX. WITHDRAWAL FORCE 8 N MIN.	X	-
MECHANICAL OPERATION		10000 TIMES INSERTIONS AND EXTRACTIONS. MATING SPEED - MECHANICALLY OPERATED : 500 CYCLES / h. or - MANUALLY OPERATED : 200 CYCLES / h.		1) CONTACT RESISTANCE: NO INCREASE OF MORE THAN 10 mΩ FROM INITIAL VALUE. 2) INSERTION FORCE 35 N MAX. WITHDRAWAL FORCE 8 N MIN 3) NO DAMAGE, CRACK AND LOOSENESS OF PARTS.	X	-
VIBRATION		FREQUENCY 10 TO 55 Hz SINGLE AMPLITUDE 0.75 mm, AT 2h FOR 3 AXIAL DIRECTIONS, TOTAL 6h.		1) NO ELECTRICAL DISCONTINUITY OF 1μs. 2) NO DAMAGE, CRACK AND LOOSENESS OF PARTS.	X	-
RANDOM VIBRATION		FREQUENCY 50 TO 2000 Hz AT 15 min FOR 3 AXIAL DIRECTIONS.			X	-
SHOCK		490 m/s <sup>2</sup> DIRECTIONS OF PULSE 11 ms AT 3 TIMES FOR 6 DIRECTIONS, TOTAL 18 TIMES.			X	-
<b>ENVIRONMENTAL CHARACTERISTICS</b>						
THERMAL SHOCK		TEMP -55 → +15 TO +35 → +85 → +15 TO + 35 °C TIME 30 → 2 TO 3 → 30 → 2 TO 3 min. UNDER 10 CYCLES. (MATING APPLICABLE CONNECTOR)		1) CONTACT RESISTANCE: 70 mΩ MAX. 2) INSULATION RESISTANCE: 100 MΩ MIN. 3) NO DAMAGE, CRACK AND LOOSENESS OF PARTS.	X	-
HUMIDITY LIFE		TEMPERATURE -10~65 °C, HUMIDITY 90 TO 98 %, UNDER 7 CYCLES (168 h) (MATING APPLICABLE CONNECTOR)		NO DAMAGE, CRACK AND LOOSENESS OF PARTS.	X	-
DRY HEAT		EXPOSED AT 85 ± 2 °C, 96 h. (MATING APPLICABLE CONNECTOR)		NO DAMAGE, CRACK AND LOOSENESS OF PARTS.	X	-
COLD		EXPOSED AT -40 ± 2 °C, 96 h. (MATING APPLICABLE CONNECTOR)		NO DAMAGE, CRACK AND LOOSENESS OF PARTS.	X	-
CORROSION SALT MIST		EXPOSED IN 5 % SALT WATER, 35 °C, FOR 48h. (LEFT UNDER UNMATED CONDITION)		NO HEAVY CORROSION.	X	-
	COUNT	DESCRIPTION OF REVISIONS	DESIGNED	CHECKED	DATE	
△						
REMARK				APPROVED	A0. SUZUKI	09. 06. 16
HIROSE will not guarantee the performance on these specifications In case this product will be mated with the others which is not HIROSE's.				CHECKED	KN. ICHIKAWA	09. 06. 16
Unless otherwise specified, refer to USB3.0 or EIA 364 .				DESIGNED	TS. SAKAIZAWA	09. 06. 15
				DRAWN	TS. SAKAIZAWA	09. 06. 15
Note QT:Qualification Test AT:Assurance Test X:Applicable Test			DRAWING NO.		ELC4-127029-00	
<b>HRS</b>	SPECIFICATION SHEET		PART NO.	ZX360-B-10S-UNIT		
	HIROSE ELECTRIC CO., LTD.		CODE NO.	CL242-0501-4-00	△	1/2

# SPECIFICATIONS

ITEM	TEST METHOD	REQUIREMENTS	QT	AT
SOLDERABILITY	SOLDERING POINT IMMERSSED IN SOLDER BATH OF $255 \pm 5$ °C, 5 sec. (USING TYPE R FRAX)	SOLDER SHALL COVER MINIMUM OF 95 % OF THE SURFACE BEING IMMERSSED.	X	-
RESISTANCE TO SOLDERING HEAT	A PROFILE IS SHOWN IN FIG-1, UNDER 2 CYCLES.	NO DEFORMATION OR SIGNIFICANT LOOSENESS OF CONTACTS.	X	-

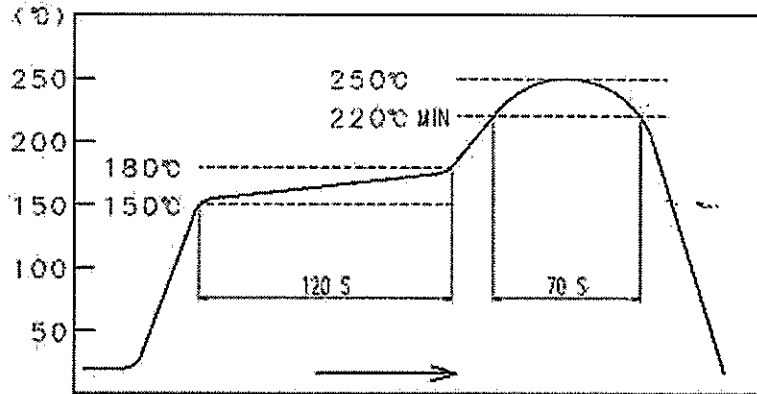


FIG - 1 RESISTANCE TO SOLDERING HEAT  
(TEMPERATURE AT TOP SURFACE OF CONNECTOR)

RECOMMENDED PROFILE REFERS TO FIG - 2.  
(TEMPERATURE AT SMT LEADS)

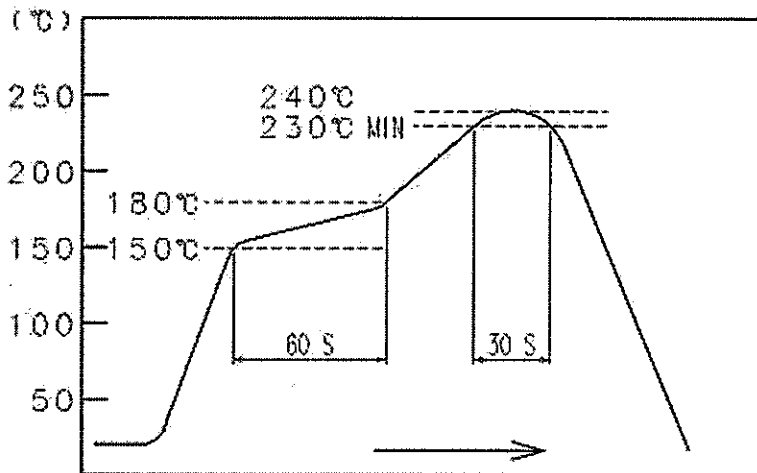
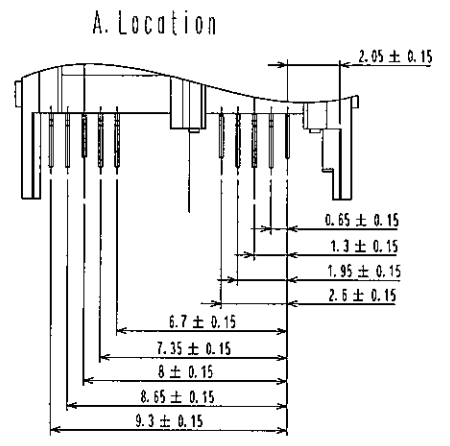
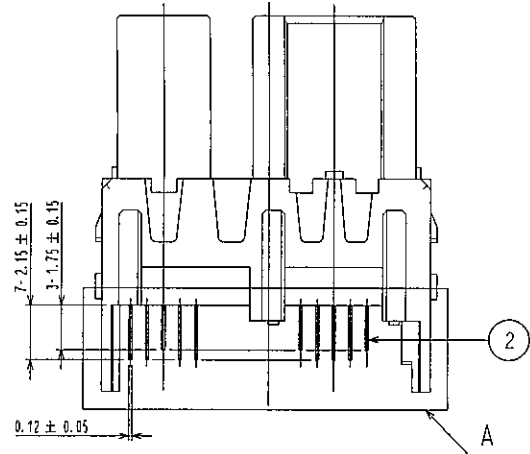
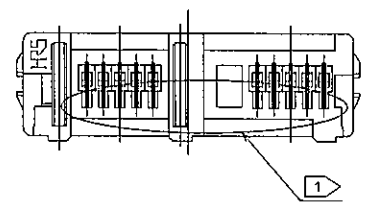
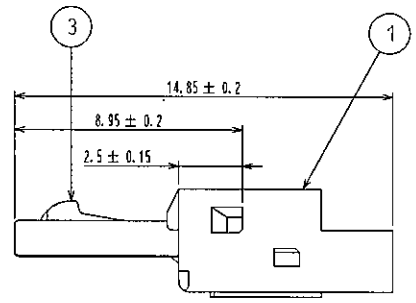
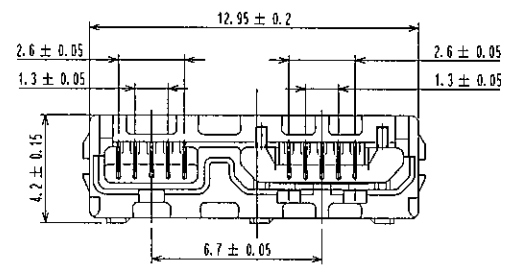
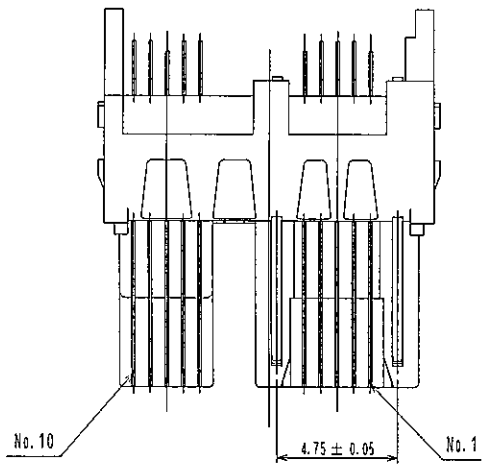
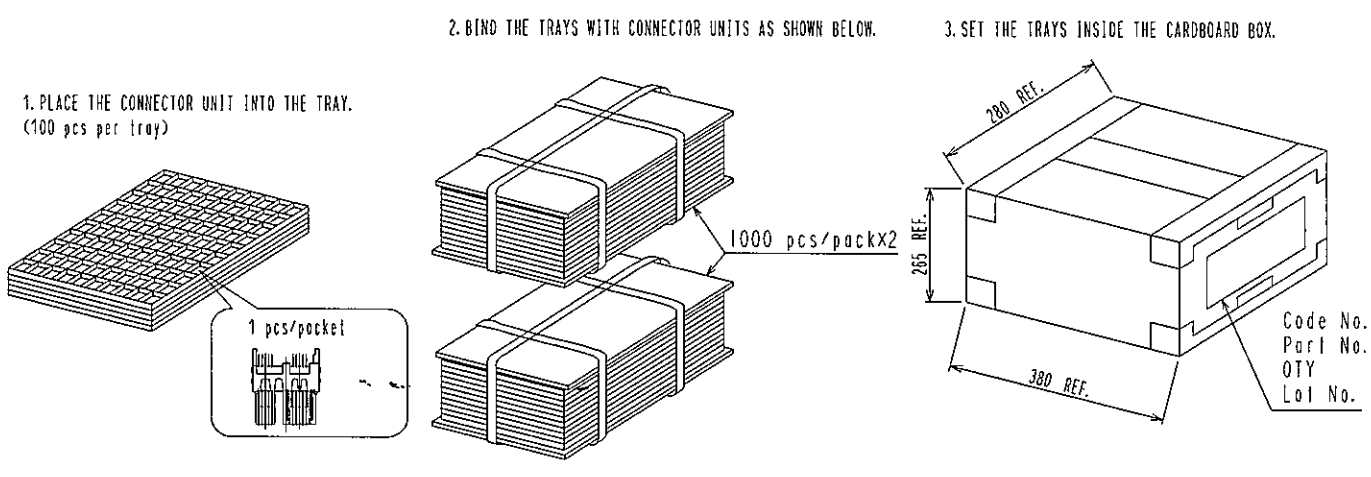


FIG - 2 RECOMMENDED REFLOW PROFILE TEMPERATURE

Note QT:Qualification Test AT:Assurance Test X:Applicable Test		DRAWING NO.	ELC4-127029-00	
<b>HRS</b>	SPECIFICATION SHEET	PART NO.	ZX360-B-10S-UNIT	
	HIROSE ELECTRIC CO., LTD.	CODE NO	CL242-0501-4-00	△ 2/2

# Fig-1 PACKING SPECIFICATION -IN THE CASE OF 2000 pcs-(FREE)



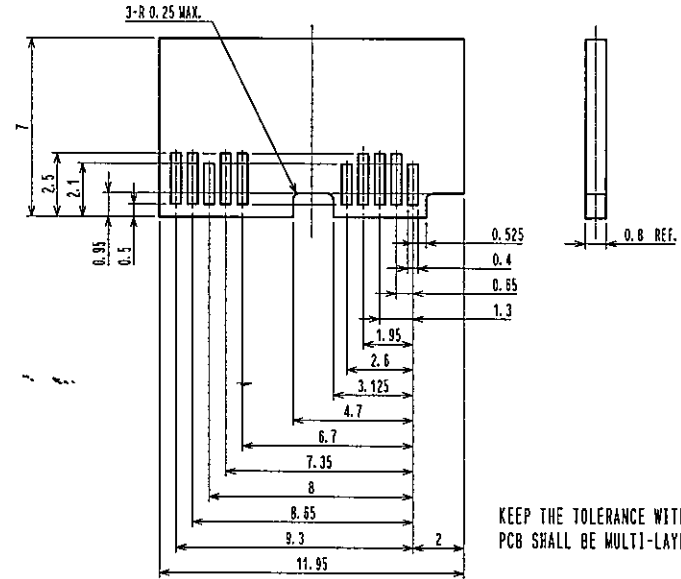
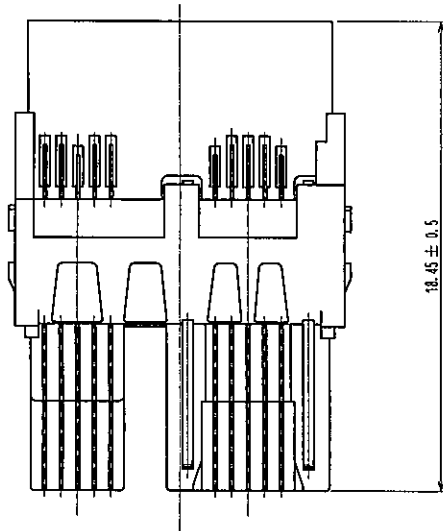
NOTES 1 CO-PLANARITY IS WITHIN 0.1mm

2. REFER TO ETAD-E2909 FOR CABLE ASSEMBLY PROCEDURES.

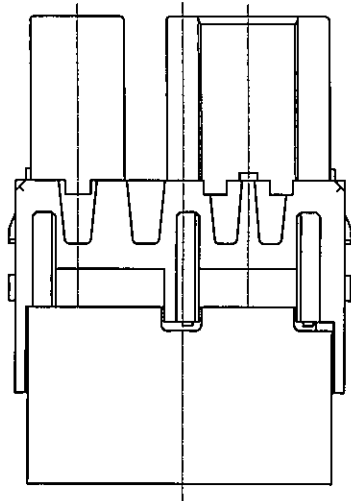
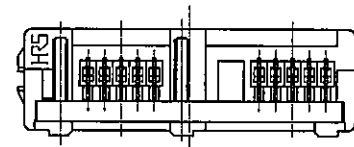
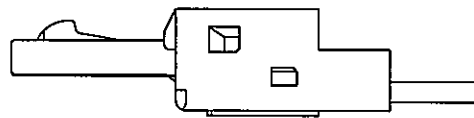
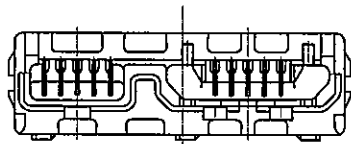
2	COPPER ALLOY	CONTACT AREA-GOLD PLATING 0.75µm min MOUNTING AREA-TIN PLATING 1µm min UNDER PLATING-NICKEL PLATING 2µm min			
1	LCP	UL94V-0, BLACK	3	STAINLESS STEEL	
NO.	MATERIAL	FINISH, REMARKS	NO.	MATERIAL	FINISH, REMARKS
UNITS	SCALE	COUNT	DESCRIPTION OF REVISIONS		
mm	5 : 1	△	DESIGNED	CHECKED	DATE
APPROVED -AO. SUZUKI		10.08.07	DRAWING NO. EDC3-127029-00		
CHECKED -KN. ICHIKAWA		10.08.07	PART NO. ZX360-B-10S-UNIT		
DESIGNED -TU. TANIGUCHI		10.08.07	CODE NO. CL242-0501-4-00		
DRAWN -TU. TANIGUCHI		10.08.07	△ 1/3		

Fig-2. CONNECTOR MOUNTED ON PCB

PCB LAYOUT FOR REFERENCE

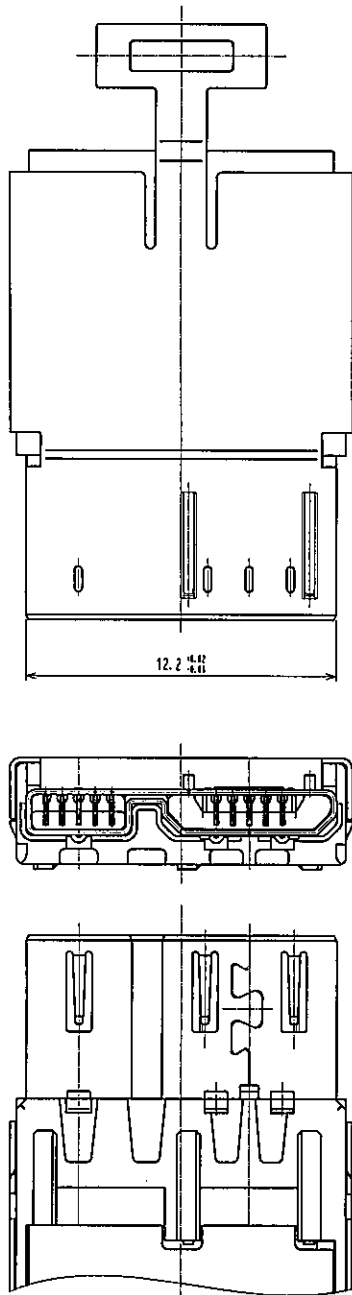


KEEP THE TOLERANCE WITHIN MAX ± 0.05  
PCB SHALL BE MULTI-LAYER PCB INCLUDING FULL GROUND LAYER.

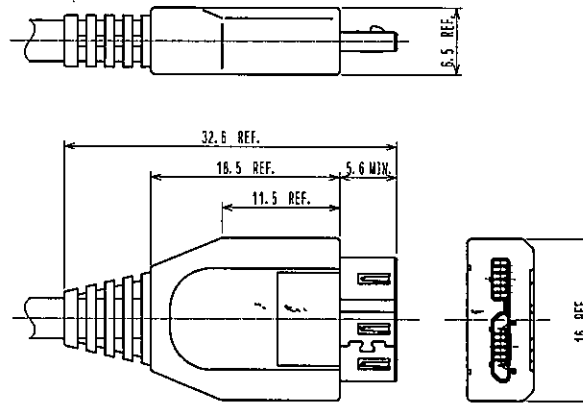


<b>HRS</b>	DRAWING NO.	EDC3-127029-00	△ 2/3
	PART NO.	ZX360-B-10S-UNIT	
	CODE NO.	CL242-0501-4-00	

Fig-3 SHIELDING-PLATE ASSEMBLY



OVER-MOLDING (REFERENCE) (FREE)



ZX360-B-SLDA(SOLD SEPARATELY)

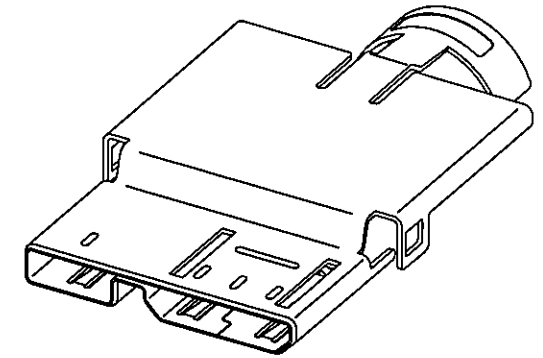
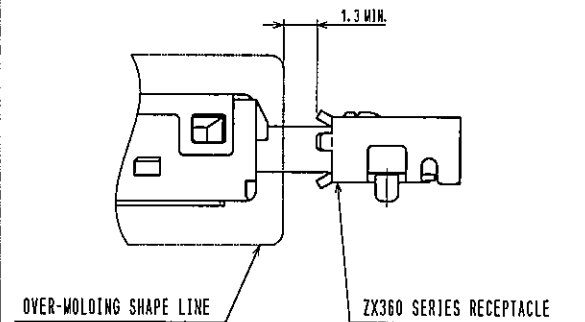
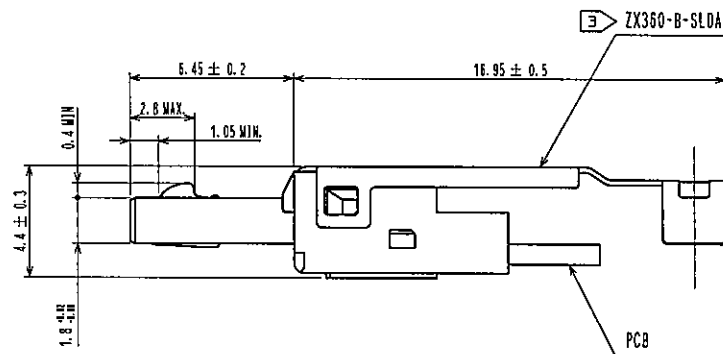


Fig-4 MATED WITH CORRESPONDING PLUG



NOTES: THIS COMPONENT IS ALWAYS USED WITH SEPARATELY AVAILABLE ZX360-B-SLDA

<b>HRS</b>	DRAWING NO.	EDC3-127029-00
	PART NO.	ZX360-B-10S-UNIT
	CODE NO.	CL242-0501-4-00
		△ 3/3