

SERIES 2450/2450R/2450HR/2450K/2455R

PHENOLIC AUTOMATIC RESET THERMOSTATS

Standard Temperature Characteristics

Temperature Set Point Ranges If unit falls in overlapping range use higher range	Tolerance Allowable ^o ± at temperature set points		Mean Differential Number of degrees between opening and closing nominal temperatures		Price Group*
---	---	--	---	--	--------------

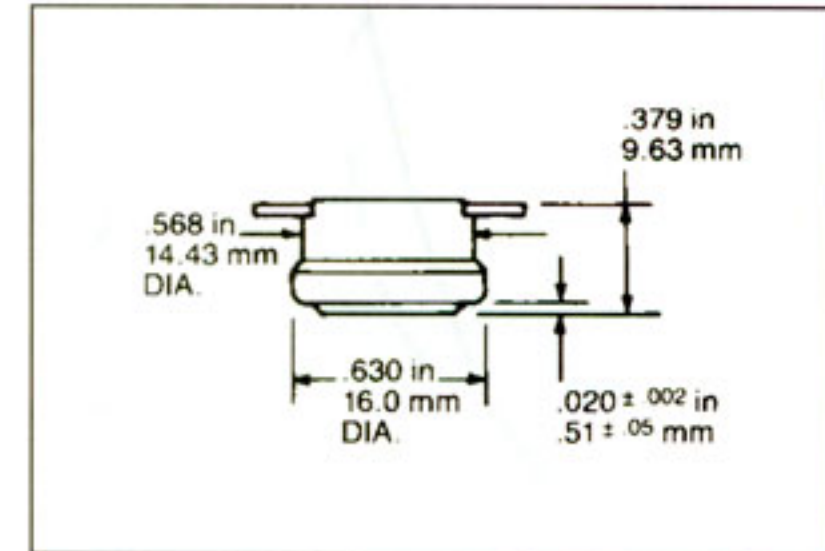
	Open		Close		°F	°C	Price Group*
	±°F	±°C	±°F	±°C			
32 to 79°F 0 to 26°C	7	4	10	6	50 to 60	28 to 34	II
	6	4	10	6	40 to 49	22 to 27	II
	6	4	9	5	30 to 39	17 to 22	III
	6	4	8	5	25 to 29	14 to 16	IV
	5	3	8	5	20 to 24	11 to 14	V
	5	3	8	5	15 to 19	8 to 11	VI
80 to 180°F 27 to 82°C	9	5	15	8	81 to 100	45 to 56	I
	7	4	11	6	61 to 80	34 to 45	I
	6	4	10	6	50 to 60	28 to 34	I
	5	3	10	6	40 to 49	22 to 27	I
	5	3	9	5	30 to 39	17 to 22	II
	5	3	8	5	25 to 29	14 to 16	III
	5	3	8	5	20 to 24	11 to 14	IV
	5	3	8	5	15 to 19	8 to 11	V
181 to 230°F 83 to 110°C	10	6	15	8	81 to 100	45 to 56	I
	8	5	15	8	61 to 80	34 to 45	I
	7	4	12	7	50 to 60	28 to 34	I
	6	4	10	6	40 to 49	22 to 27	I
	6	4	9	5	30 to 39	17 to 22	II
	6	4	8	5	25 to 29	14 to 16	III
	6	4	8	5	20 to 24	11 to 14	IV
	6	4	8	5	15 to 19	8 to 11	V
231 to 302°F 111 to 150°C	12	7	18	10	81 to 100	45 to 56	I
	9	5	15	8	61 to 80	34 to 45	I
	8	5	12	7	50 to 60	28 to 34	I
	7	4	12	7	40 to 49	22 to 27	I
	7	4	11	6	30 to 39	17 to 22	II
	7	4	10	6	25 to 29	14 to 16	III

*Grouped according to level of accuracy required. Group I with the greatest latitude is less expensive than Group II, etc. °C have been tabulated to the nearest degree Celsius compatible to the testing and manufacturing capability in °C. Consult factory for tolerances and temperatures not listed.

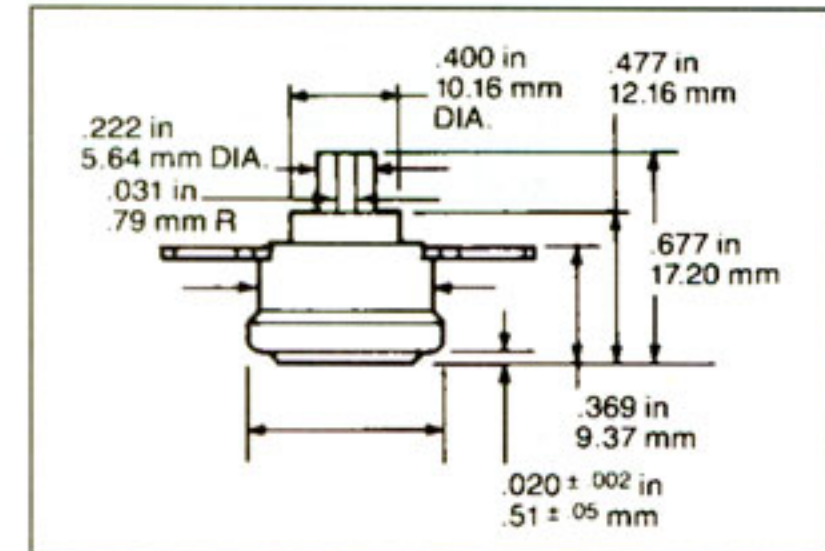
NOTE: Temperature checking methods may be slightly different, and allowance for a 1°C variance should be considered.

Dimensional Specifications

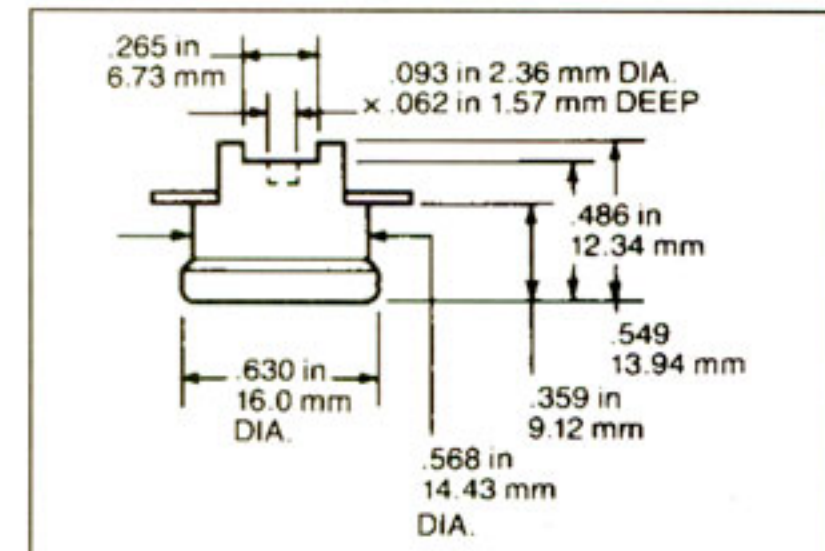
2450



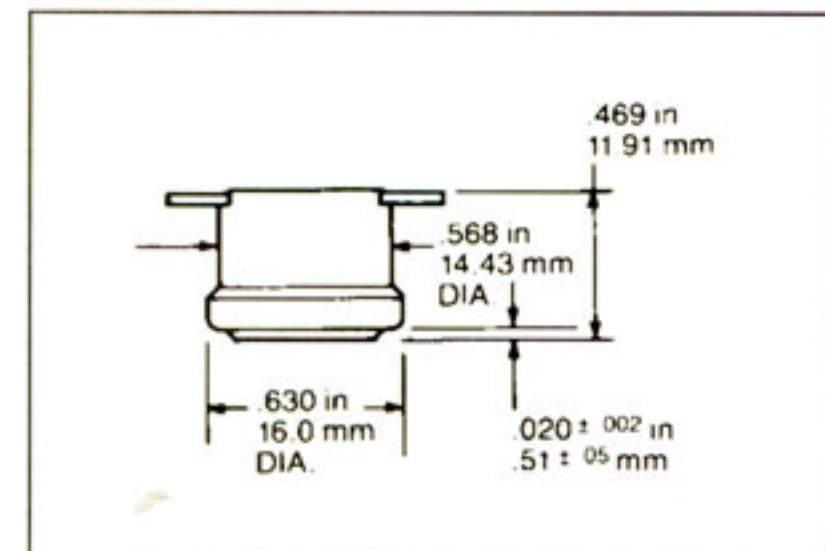
2450K



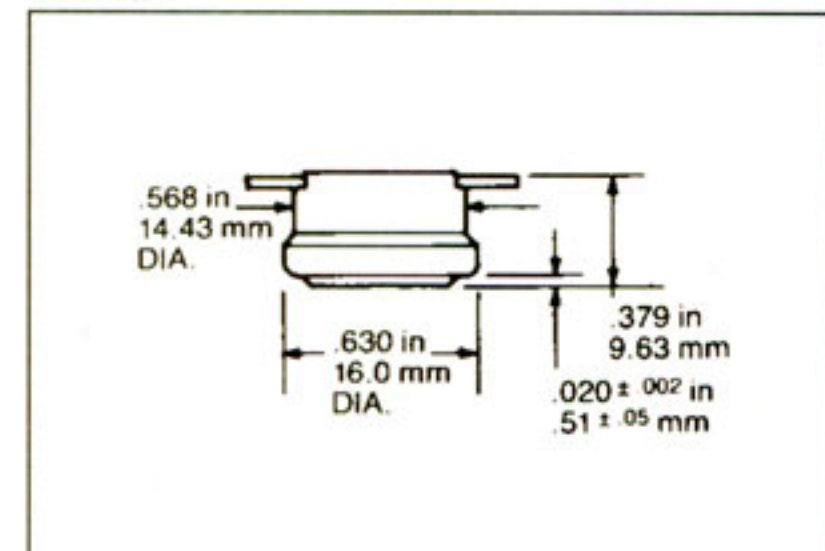
2450HR



2455R



2450R



See Terminal or Bracket Guides for other options.