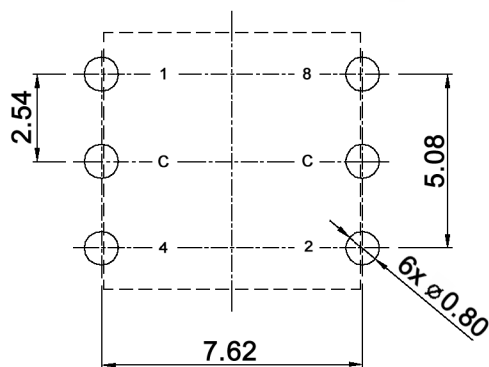


P.C.B. DIMENSION



BCD inverse

		Complement coded				
		C	1	2	4	8
10 P o s i t i o n s	0	●	●	●	●	●
	1	●		●	●	●
	2	●	●		●	●
	3	●			●	●
	4	●	●	●		●
	5	●		●		●
	6	●	●			●
	7	●				●
	8	●	●	●	●	
	9	●		●	●	



Tolerances:	Date	Name
	10/08	dr
Modifications	Date	Name

**DRS 16110**

**knitter-switch**

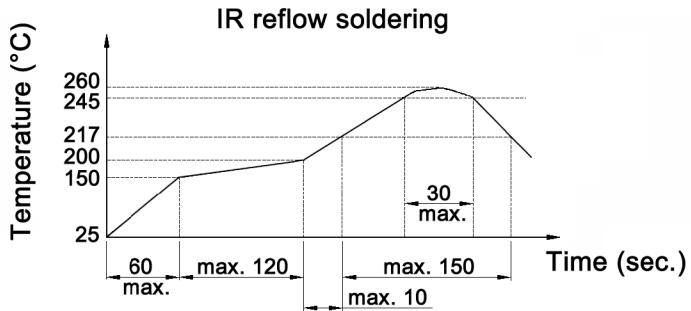
**30 16 29**

Page

1/2

**Specifications:**

**Contact rating:** non-switching: 400mA, 42  
switching: 100mA, 42V  
**Contact resistance:** 80mOhm max.  
**Insulation resistance:** 100MOhm min. at 250V DC for 1 minute +/-5sec.  
**Dielectric strength:** 250V DC (50Hz/60Hz) for 1 minute  
**Operating temperature:** -50°C to +125°C  
**Storage temperature:** -55°C to +135°C  
**Mechanical life:** 25 000 cycles  
**Operating force:** 120 +/-30gf/cm  
**Soldering conditions:** auto-soldering: max.: 260 +/-5°C, 5 +/-1sec.  
IR reflow soldering: see profile  
**Packaging unit:** 65 pcs / tube  
**Material:** Cover / spring plate / guide plate: stainless steel  
Contact / terminal: phosphor bronze, min. 0.07µm gold plated  
over min. 0.3µm nickel  
Rotor / base: PA66  
O-ring: silicone  
Actuator color: orange  
**Protection:** IP67  
**Soldering conditions:**



Tolerances:			Date	Name	<b>DRS 16110</b>
			10/08	dr	
			<b>knitter-switch</b>		<b>30 16 29</b>
Modifications			Date	Name	Page 2/2