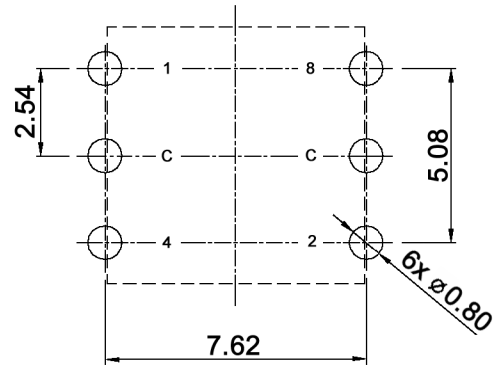


P.C.B. DIMENSION



Hexadecimal inverse

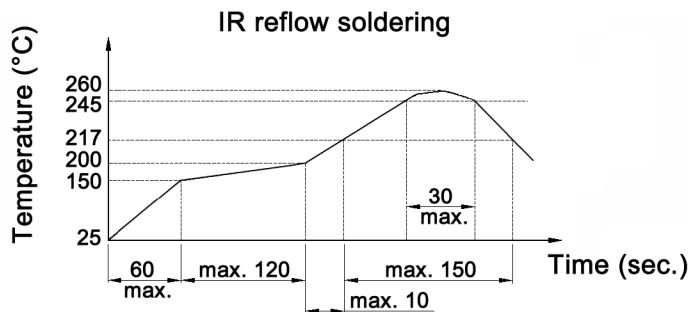
	Complement coded				
	C	1	2	4	8
0	•	•	•	•	•
1	•		•	•	•
2	•	•		•	•
3	•			•	•
4	•	•	•		•
5	•		•		•
6	•	•			•
7	•				•
8	•	•	•	•	
9	•		•	•	
A	•	•		•	
B	•			•	
C	•	•	•		
D	•		•		
E	•	•			
F	•				



Tolerances:	Date	Name	<h1>DRS 16116</h1>	<h2>30 16 31</h2>	Page	
	10/08	dr				1/2
Modifications	Date	Name	knitter-switch			

Specifications:

Contact rating: non-switching: 400mA, 42
switching: 100mA, 42V
Contact resistance: 80mOhm max.
Insulation resistance: 100MOhm min. at 250V DC for 1 minute +/-5sec.
Dielectric strength: 250V DC (50Hz/60Hz) for 1 minute
Operating temperature: -50°C to +125°C
Storage temperature: -55°C to +135°C
Mechanical life: 25 000 cycles
Operating force: 120 +/-30gf/cm
Soldering conditions: auto-soldering: max.: 260 +/-5°C, 5 +/-1sec.
IR reflow soldering: see profile
Packaging unit: 65 pcs / tube
Material: Cover / spring plate / guide plate: stainless steel
Contact / terminal: phosphor bronze, min. 0.07µm gold plated
over min. 0.3µm nickel
Rotor / base: PA66
O-ring: silicone
Actuator color: ivory
Protection: IP67
Soldering conditions:



Tolerances:			Date	Name	DRS 16116
			10/08	dr	
			knitter-switch		30 16 31
Modifications			Date	Name	Page 2/2