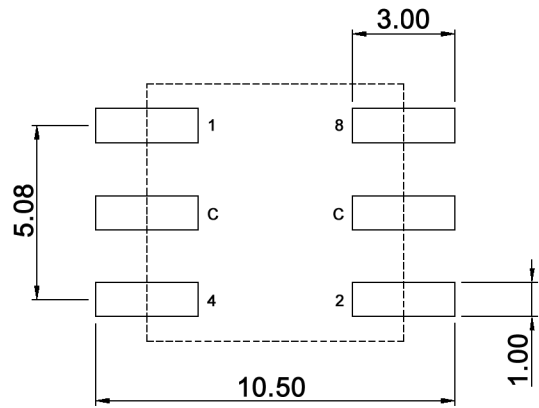


P.C.B. DIMENSION



BCD

		Real coded				
		C	1	2	4	8
10 P o s i t i o n s	0	●				
	1	●	●			
	2	●		●		
	3	●	●	●		
	4	●			●	
	5	●	●		●	
	6	●		●	●	
	7	●	●	●	●	
	8	●				●
	9	●	●			●



Tolerances:			Date	Name
			10/08	dr
Packaging	05/10	dr		
Soldering conditions	10/09	dr		
Material	05/09	dr		
Modifications	Date	Name		

SMR 16010 T

knitter-switch

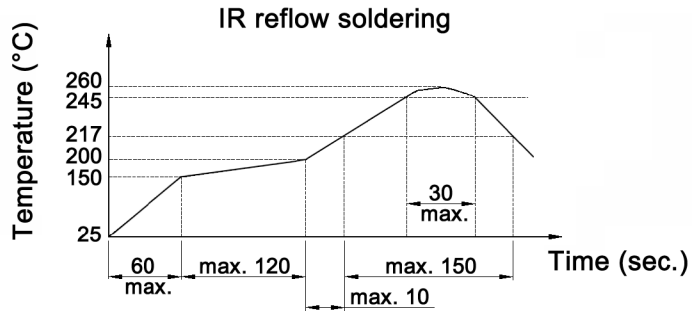
30 16 20

Page

1/3

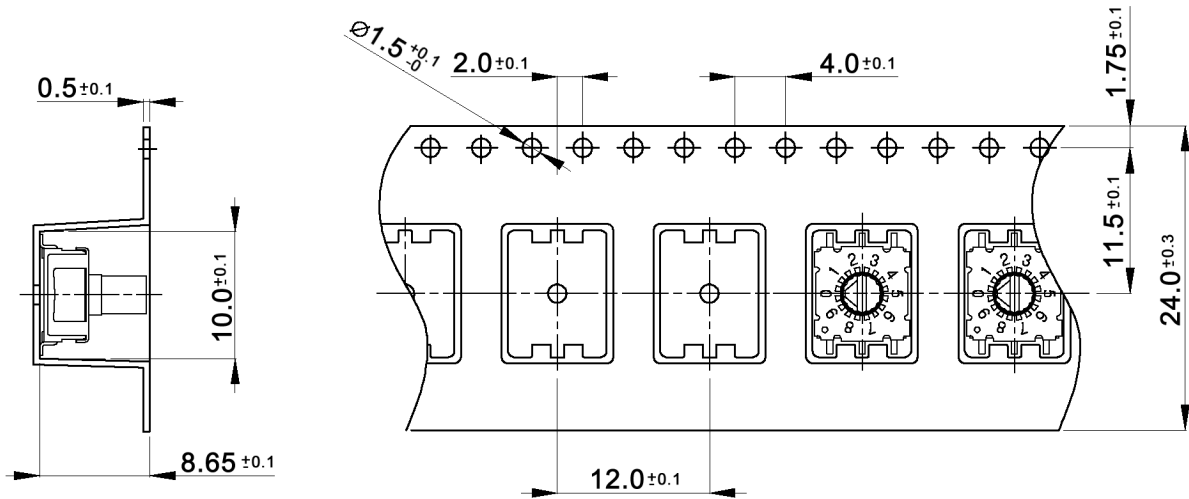
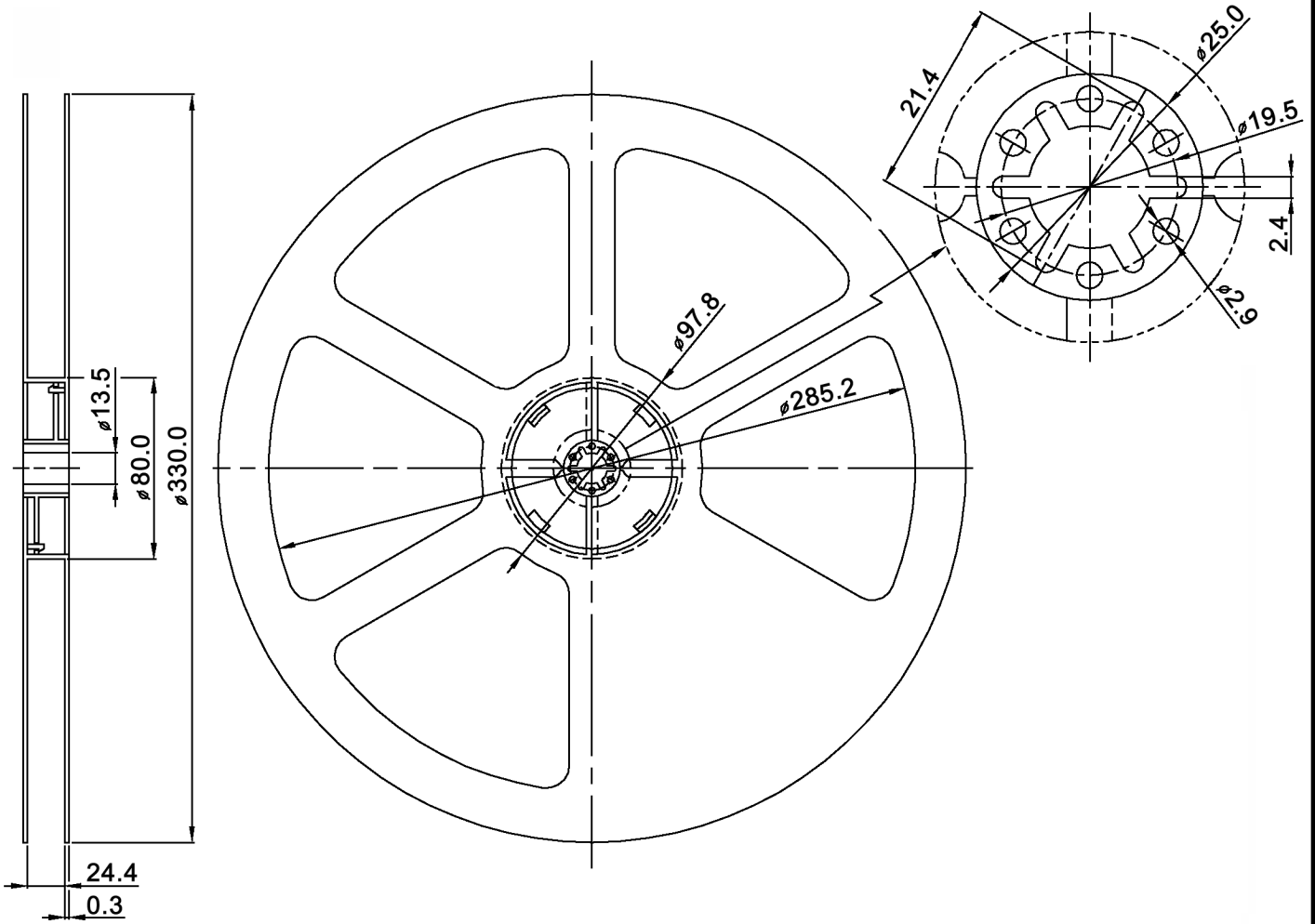
Specifications:

Contact rating: non-switching: 400mA, 42V
 switching: 100mA, 42V
Contact resistance: 80mOhm max.
Insulation resistance: 100MOhm min. at 250V DC for 1 minute +/-5sec.
Dielectric strength: 250V DC (50Hz/60Hz) for 1 minute
Operating temperature: -50°C to +125°C
Storage temperature: -55°C to +135°C
Mechanical life: 25 000 cycles
Operating force: 120 +/-30gf/cm
Packaging unit: 600 pcs / reel
Material: Cover / spring plate / guide plate: stainless steel
 Contact / terminal: phosphor bronze, min. 0.07µm gold plated
 over min. 0.3µm nickel
 Rotor / base: LCP, UL94V-0
 O-ring: silicone
 Actuator color: pink
Protection: IP67
Soldering conditions:



Tolerances:			Date	Name	SMR 16010 T
			10/08	dr	
			knitter-switch		30 16 20
Modifications			Date	Name	Page 2/3

Packaging:



Packaging unit: 600 pcs. / reel

Tolerances:			Date	Name	SMR 16010 T
			05/10	dr	
			knitter-switch		30 16 20
					Page
Modifications			Date	Name	3/3