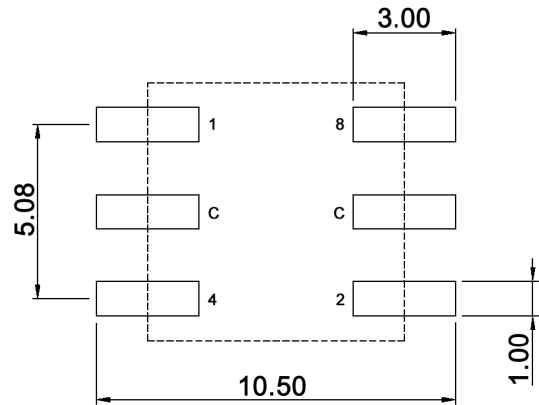


P.C.B. DIMENSION



Hexadecimal

	Real coded				
	C	1	2	4	8
0	●				
1	●	●			
2	●		●		
3	●	●	●		
4	●			●	
5	●	●			
6	●		●	●	
7	●	●	●	●	
8	●				●
9	●	●			●
A	●		●		●
B	●	●	●		●
C	●			●	●
D	●	●		●	●
E	●		●	●	●
F	●	●	●	●	●



Tolerances:	Date	Name
	10/08	dr
Packaging	05/10	dr
Soldering conditions	10/09	dr
Material	05/09	dr
Modifications	Date	Name

SMR 16016 T

knitter-switch

30 16 22

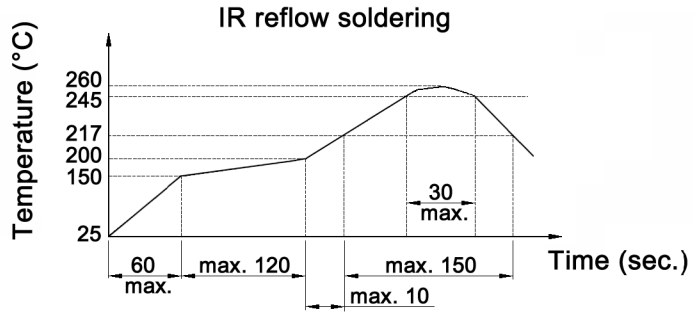
Page

1/3

**Specifications:**

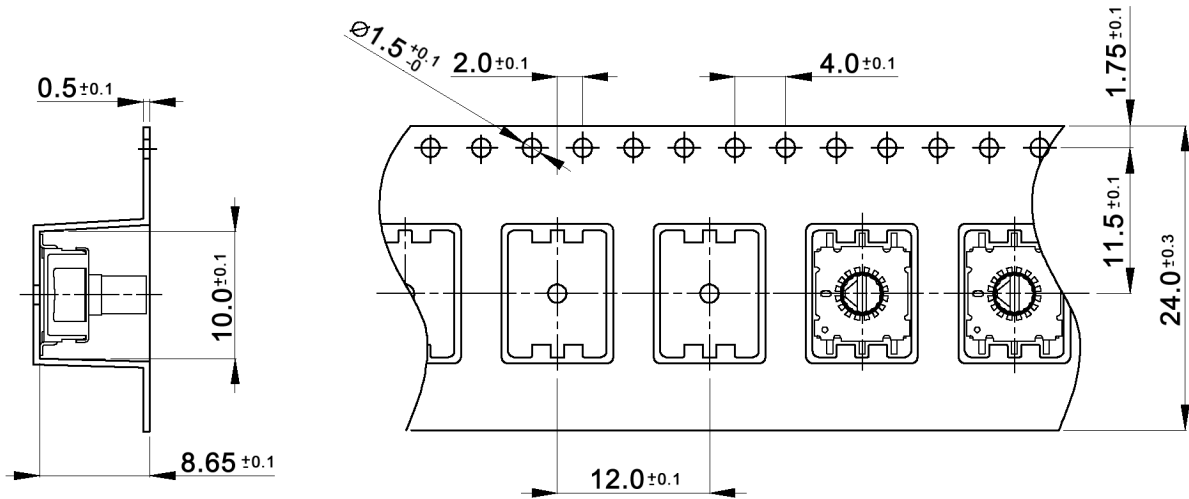
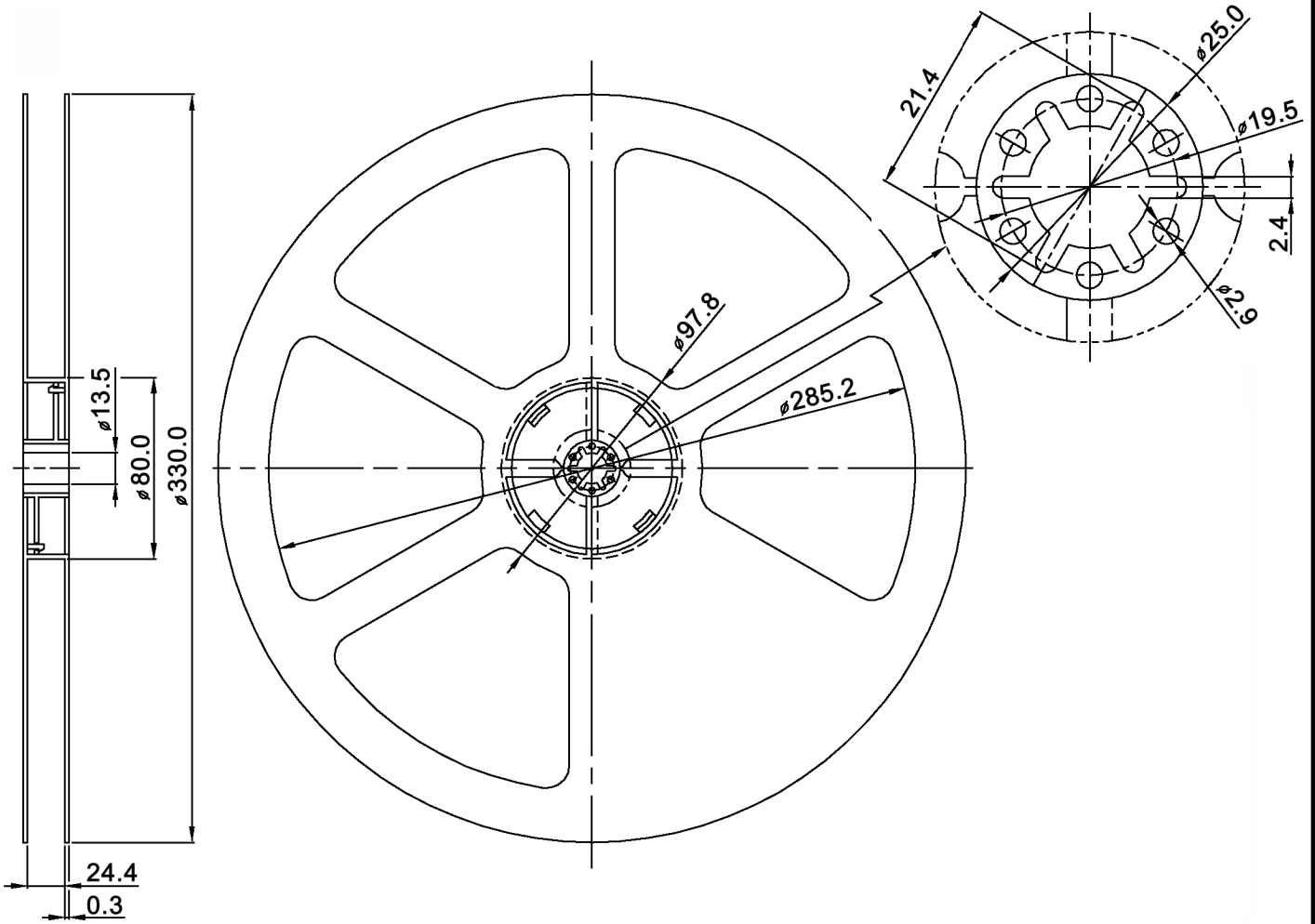
**Contact rating:** non-switching: 400mA, 42V  
 switching: 100mA, 42V  
**Contact resistance:** 80mOhm max.  
**Insulation resistance:** 100MOhm min. at 250V DC for 1 minute +/-5sec.  
**Dielectric strength:** 250V DC (50Hz/60Hz) for 1 minute  
**Operating temperature:** -50°C to +125°C  
**Storage temperature:** -55°C to +135°C  
**Mechanical life:** 25 000 cycles  
**Operating force:** 120 +/-30gf/cm  
**Packaging unit:** 600 pcs / reel  
**Material:** Cover / spring plate / guide plate: stainless steel  
 Contact / terminal: phosphor bronze, min. 0.07µm gold plated  
 over min. 0.3µm nickel  
 Rotor / base: LCP, UL94V-0  
 O-ring: silicone  
 Actuator color: gray

**Protection:** IP67  
**Soldering conditions:**



Tolerances:			Date	Name	<b>SMR 16016 T</b>
			10/08	dr	
			<b>knitter-switch</b>		<b>30 16 22</b>
					Page
					2/3
Modifications	Date	Name			

Packaging:



Packaging unit: 600 pcs. / reel

Tolerances:			Date	Name	<b>SMR 16016 T</b>
			05/10	dr	
					<b>30 16 22</b>
			<b>knitter-switch</b>		Page
Modifications			Date	Name	3/3