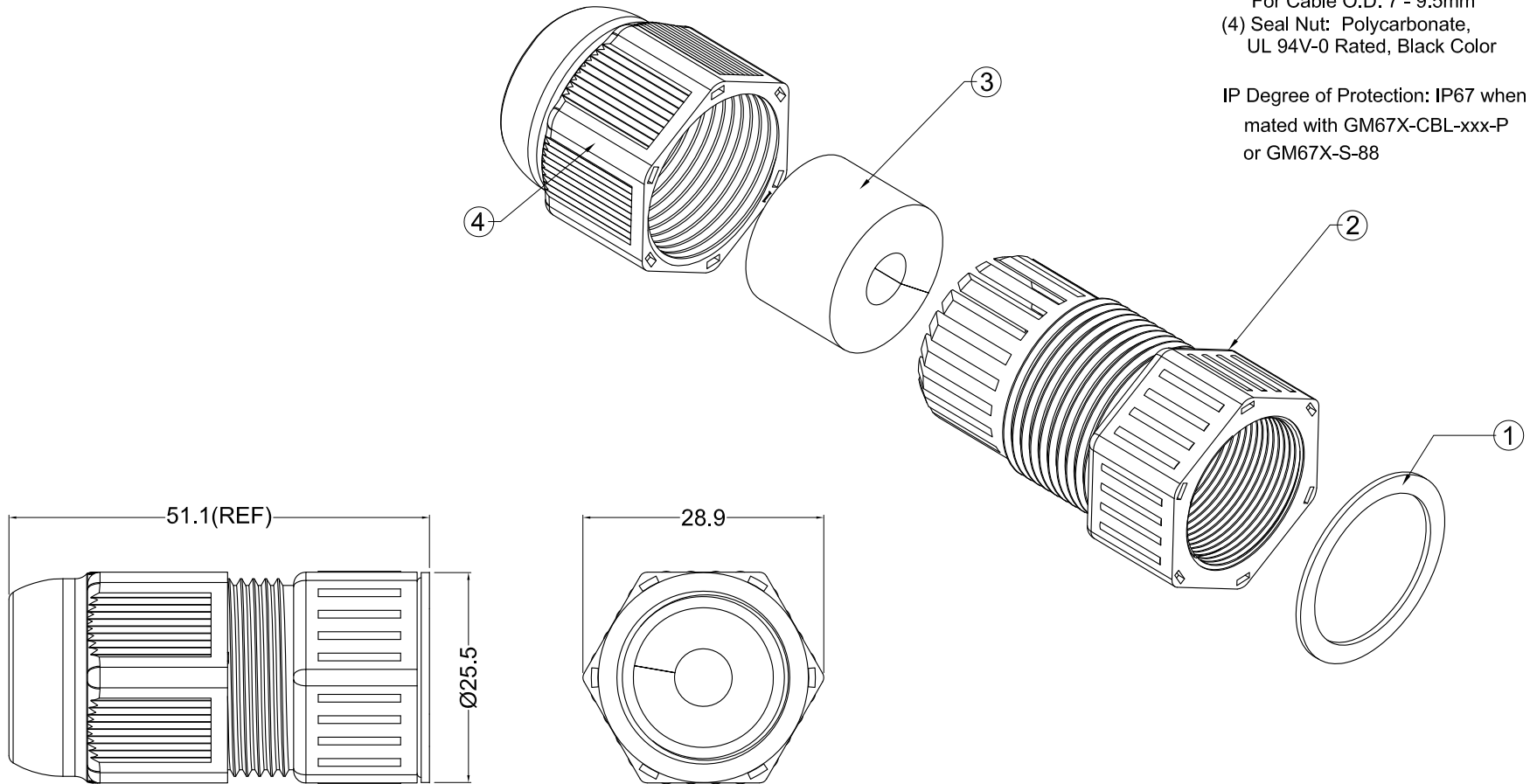


**Material and Finish**

- (1) Gasket: Silicone, Red Color  
UL 94HB Rated
- (2) Body: Polycarbonate, UL 94V-0 Rated,  
Black Color
- (3) Seal: Silicone, Blue Color, UL 94HB Rated,  
For Cable O.D. 7 - 9.5mm
- (4) Seal Nut: Polycarbonate,  
UL 94V-0 Rated, Black Color

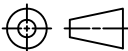
IP Degree of Protection: IP67 when  
mated with GM67X-CBL-xxx-P  
or GM67X-S-88



Recommended Cable O.D.: 7 - 9.5 mm  
\*To be used when assembling category 5 cable

Tolerances
X.X ± 0.38
X.XX ± 0.25
Unless Stated
Otherwise

**RoHS COMPLIANT**

REV.	DATE	DESCRIPTION	REV. BY	CHK. BY	DRAWN BY	DATE
A0	8/23/11	New Drawing	P. DalCanto	H. MA	P. DalCanto	5/5/11
A1	8/30/11	Release Drawing	P. DalCanto	N/A		
A2	12/10/12	ECO #12-062	S. Vien	P. DalCanto		UNITS
A3	08/27/13	ECO #13-021	W. Cook	P. DalCanto		
A4	09/11/15	Remove CSA	H. MA	W. Cook		

**GM67X-CS-B**

**IP67 Modular Jack**  
**Cable Side, Blue Insert**

