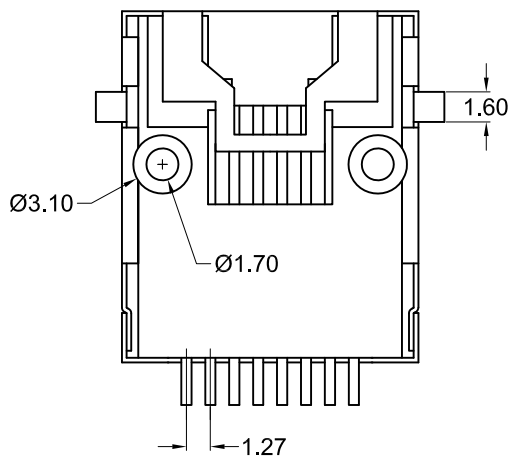
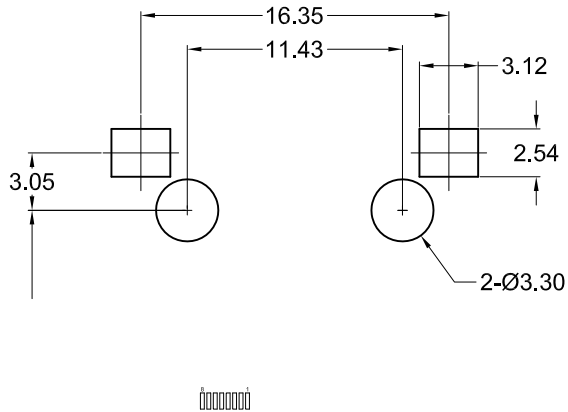


Recommended PCB Layout (Top View)



Materials and Finish

Housing Material:
high temp. thermoplastic,
(reflow process compatible)
UL 94V-0 rated, black color

Design meets UL 1863 Sec. 8
Electrical Probe and Sec. 20
Child Finger test requirements

Contact Material: phosphor bronze

Contact Plating Options:

Standard: 0.0001" Nickel
Plating, Selective Plating
Gold Flash on Contact
Area, Tin on Termination End

50: 0.0001" Nickel Plating,
Selective Plating 0.000050"
Gold on Contact Area to
Comply with FCC Requirements
Under No. 47 C.F.R. Part 68,
Subpart F, Tin on Termination End

Electrical Characteristics

Current Rating: 1.0 Amps

Current Voltage: 125V DC

Insulation Resistance:
500 Megohms min.

Dielectric Withstanding Voltage:
1000V rms, 60Hz

Contact Resistance:
20 milliohms max.

Durability Rating:
1000 mating cycles min.

Operating Temperature:
-40°C to +85°C

Electrical Performance

Category 5 100MHz Bandwidth Performance
Performance meets near end crosstalk (NEXT)
Requirements of -40dB @ 100MHz per
EIA/TIA 568A in applications where UL
Approved Category 5 cable (GA27-3773-1)s used

Shielded types offer 20dB shielding from
30MHz to 300MHz

| Part Number | Plating | Packaging |
|--------------------|---------|-------------|
| GMX-SMT2-S2-88 | Flash | Bulk |
| GMX-SMT2-S2-88-50 | 50u" | Bulk |
| GMX-SMT2-S2-88-TR | Flash | Tape & Reel |
| GMX-SMT2-S2-8850TR | 50u" | Tape & Reel |

| Tolerances |
|----------------------------|
| X.X ± 0.25 |
| X.XX ± 0.15 |
| Unless Stated Otherwise |



| REV. | DATE | DESCRIPTION | REV. BY | CHK. BY | DRAWN BY | DATE |
|------|----------|-------------|---------|-------------|------------|----------|
| A3 | 04/27/10 | ECO #10-020 | S. Vien | H. MA | R. Aguirre | 05/23/05 |
| A4 | 07/30/10 | ECO #10-054 | S. Vien | H. MA | | |
| A5 | 08/20/12 | ECO #12-027 | S. Vien | P. DalCanto | | |
| A6 | 05/13/13 | ECO #13-024 | D. Gih | P. DalCanto | | |
| A7 | 11/06/13 | ECO #13-084 | W. Cook | H. MA | | mm |
| A8 | 06/02/15 | ECO #15-001 | H. MA | C. Furumasu | | |

GMX-SMT2-S2-88

Right Angle Modular Jack, Shielded ,RoHS Compliant

8 position, 8 contacts, Surface Mount

