

1.27mm Pitch

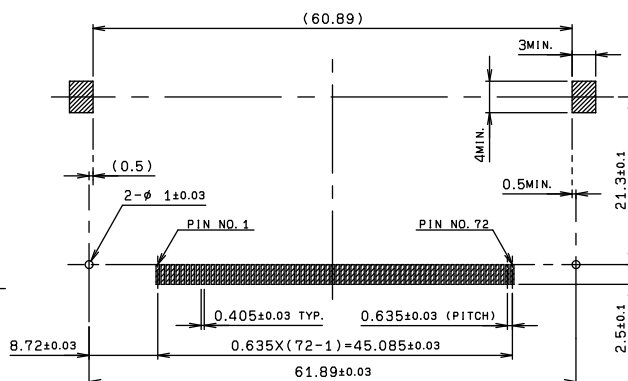
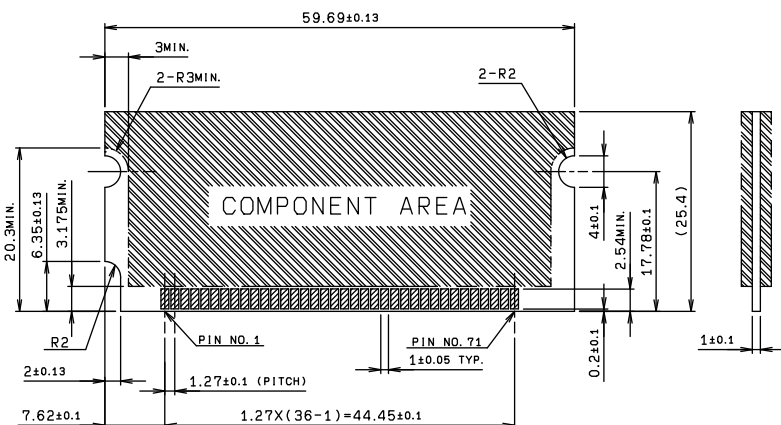
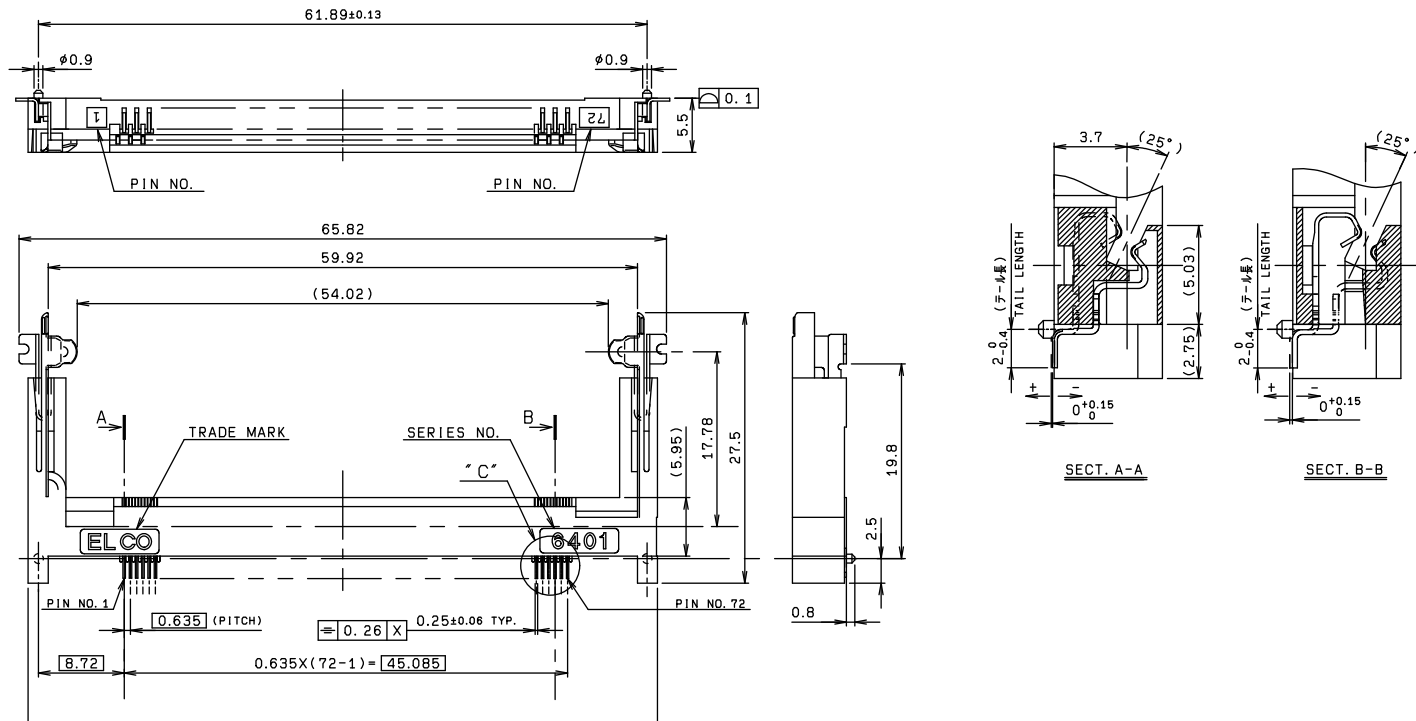
SERIES

6401

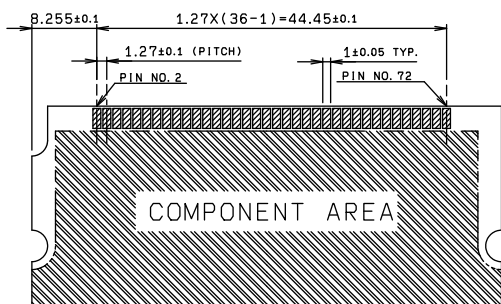
S.O.DIMM RA SMT 72極

S.O.DIMM RA SMT 72 Positions

●H=5.5 (5.0V)



推奨基板取付寸法 (コネクタ実装側)
RECOMMENDED P.C. BOARD LAYOUT
(CONNECTOR MOUNTING SIDE)



推奨メモリー基板寸法
RECOMMENDED MEMORY BOARD
LAYOUT

注文コード ORDERING CODE

29 6401 072 X03 856 / +

RoHS 対応品

RoHS Compliant Product

5.0V

0: NORMAL TRAY (30 / Tray)

1: WIDE TRAY (20 / Tray)

1.27mm Pitch

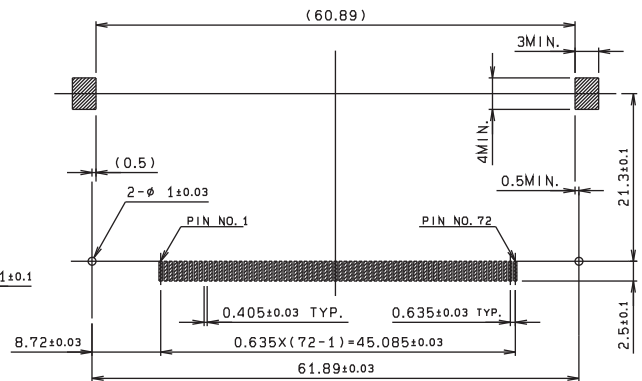
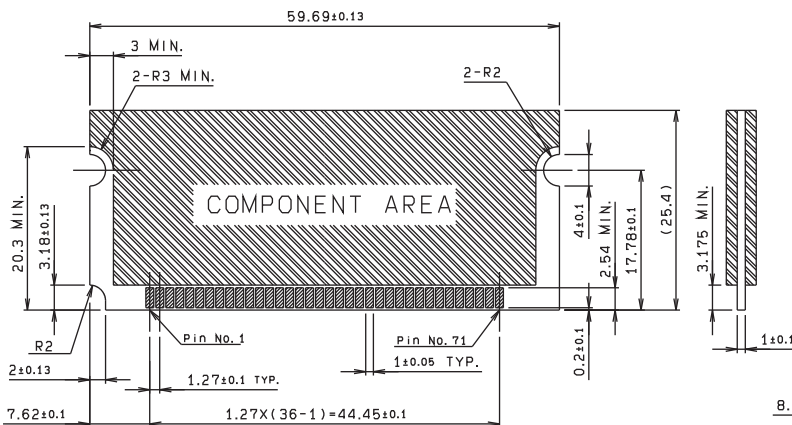
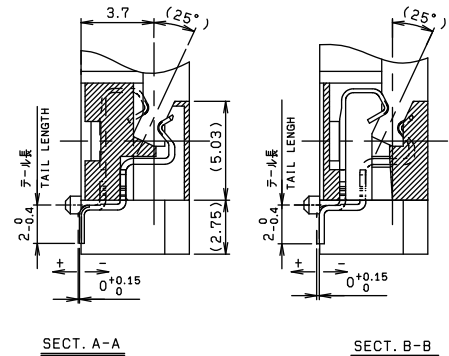
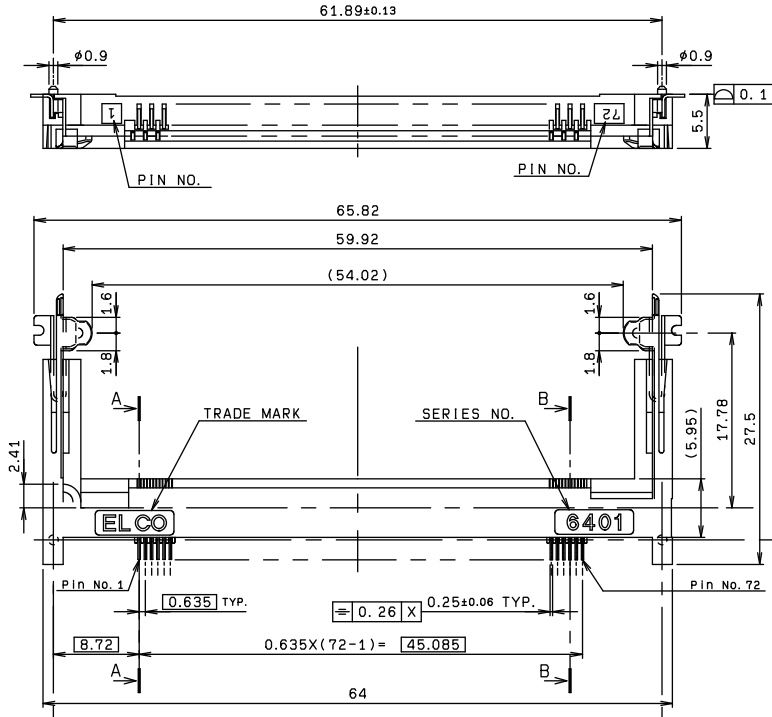
SERIES

6401

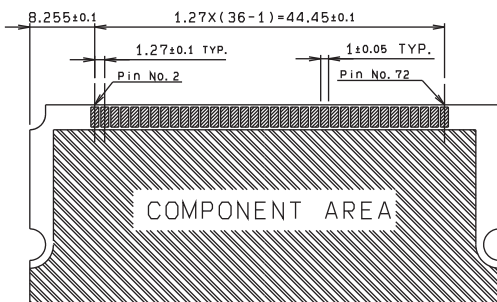
S.O.DIMM RA SMT 72極

S.O.DIMM RA SMT 72 Positions

●H=5.5 (3.3V)



推奨基板取付寸法 (コネクタ実装側)
RECOMMENDED P.C. BOARD LAYOUT
(CONNECTOR MOUNTING SIDE)



推奨メモリー基板寸法
RECOMMENDED MEMORY BOARD
LAYOUT

注文コード ORDERING CODE

29 6401 072 X13 856 / +

RoHS 対応品

RoHS Compliant Product

3.3V

0: NORMAL TRAY (30 / Tray)

1: WIDE TRAY (20 / Tray)

1.27mm Pitch

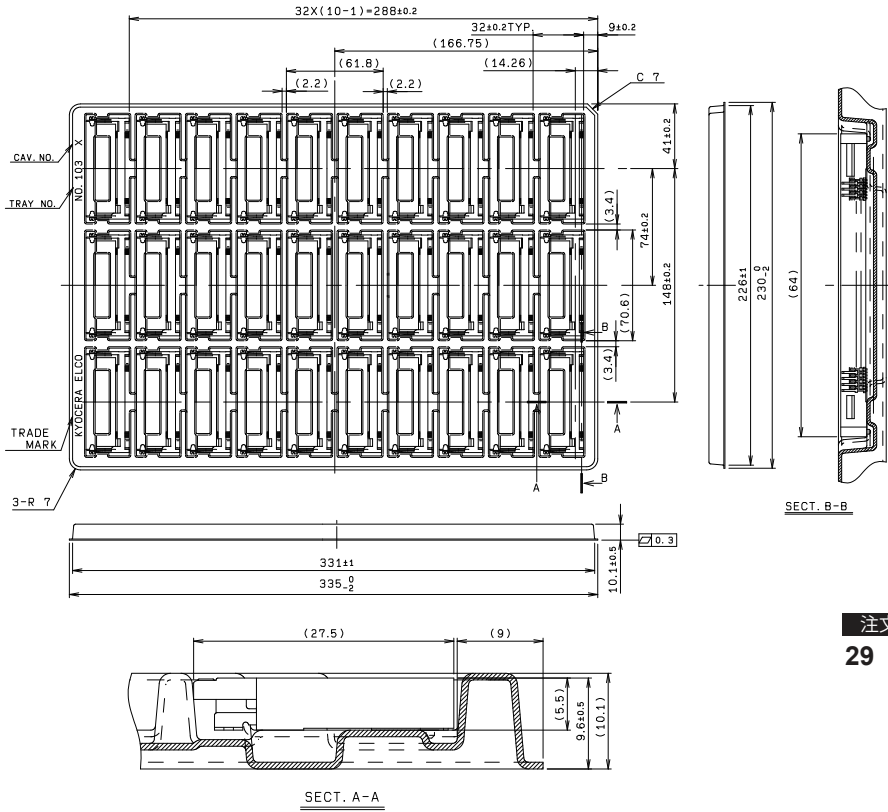
SERIES

6401

S.O.DIMM RA SMT 72極

S.O.DIMM RA SMT 72 Positions

●Normal Tray



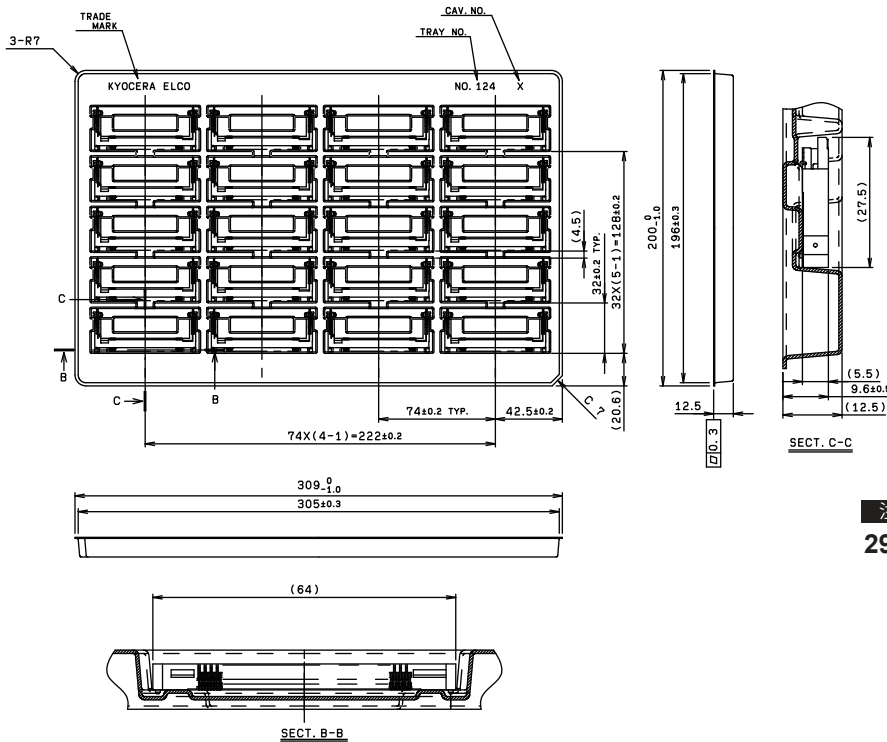
注文コード ORDERING CODE
29 6401 072 0x3 856 / +

RoHS 対応品
RoHS Compliant Product

- 0: 5.0V
- 1: 3.3V
- 0: NORMAL TRAY

梱包数量：30個／トレイ
PACKING QUANTITY : 30 / Tray

●Wide Tray



注文コード ORDERING CODE
29 6401 072 1x3 856 / +

RoHS 対応品
RoHS Compliant Product

- 0: 5.0V
- 1: 3.3V
- 1: WIDE TRAY

梱包数量：20個／トレイ
PACKING QUANTITY : 20 / Tray