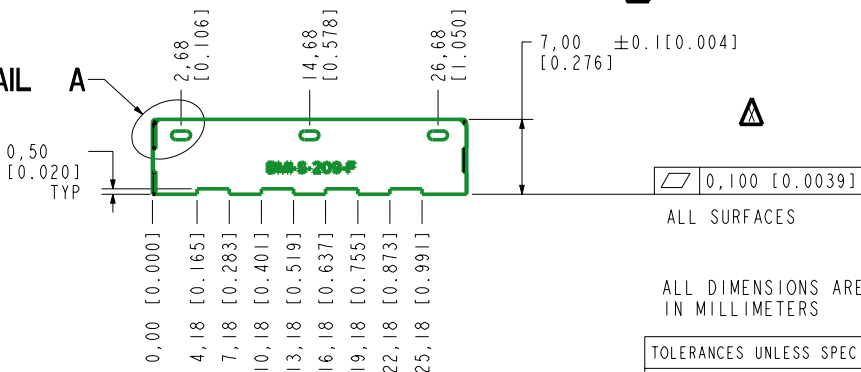


DETAIL SCALE A  
SCALE 10.000

NOTES:

- MATERIAL SPECIFICATIONS:
  - MATERIAL:  
THICKNESS = 0.20 [0.008] ± 0.02 [0.0008] mm  
TYPE: COLD ROLLED STEEL
  - SURFACE FINISH:  
1.25 - 5.00 MICRONS [0.000049 - 0.000197]  
100% MATTE TIN
- TOLERANCE/APPEARANCE:
  - NO CHANGE IN PRODUCTION MATERIAL SHALL BE ALLOWED WITHOUT EXPLICIT PRIOR WRITTEN APPROVAL FROM LAIRD TECHNOLOGIES ENGINEERING DEPARTMENT.
  - PARTS SHALL BE FREE OF SHARP EDGES. BURRS SHALL NOT EXCEED 10% OF MATERIAL THICKNESS OR 0.15mm WHICHEVER IS LESS.
  - REFERENCE DIMENSIONS, SHOWN IN PARANTHESES (DIM), ARE WITHOUT TOLERANCE AND ARE FOR INFORMATION PURPOSES ONLY.
  - CRITICAL DIMENSIONS ARE DESIGNATED BY
  - ALL RADII ARE TO BE R0.25 UNLESS OTHERWISE SPECIFIED.
- PACKAGING:
  - SEE SHEET 2 OF 2

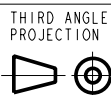
SEE DETAIL A



ALL DIMENSIONS ARE IN MILLIMETERS

TOLERANCES UNLESS SPECIFIED

0.50 - 6.00	± 0.10
6.00 - 30.00	± 0.20
30.00 - 120.00	± 0.30
120.00 - 400.00	± 0.50
Ø HOLE	± 0.10
ANGULAR TOL.	± 1°



1751 WILKENING COURT  
SCHAUMBURG, IL 60173

TITLE: SHIELD FRAME				
CUSTOMER:		CUST. ENGR.	PART NO. BMI-S-209-F	
PROJECT: CATALOG	DATE: 06-28-02			
DRAWN BY: ALP	SCALE: 1.000	SYSTEM: PRO/E	DWG SIZE	REV.
APP'D BY: BG	SHEET NO. 1 OF 2	FILE: BMI-S-209-F	C	P2

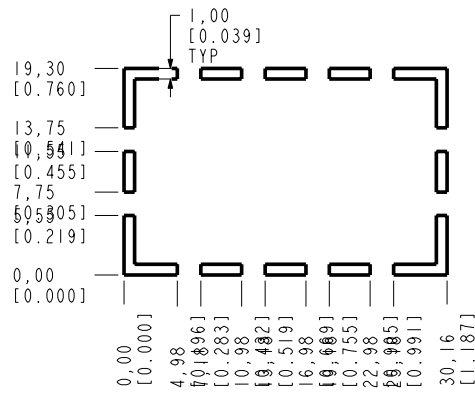
DO NOT SCALE PRINT

CONFIDENTIAL

This print is the property of Laird Tech. and is loaned in confidence subject to return upon request and with the understanding that no copies shall be made without the written consent of Laird Tech. All rights to design or invention are reserved.

REVISION CHANGES				
REV	DESCRIPTION	DATE	BY	APPROVED
P2	P/N WAS BMIS-209-F, ADDED LAIRD MARK	09/10/07	IV	JE

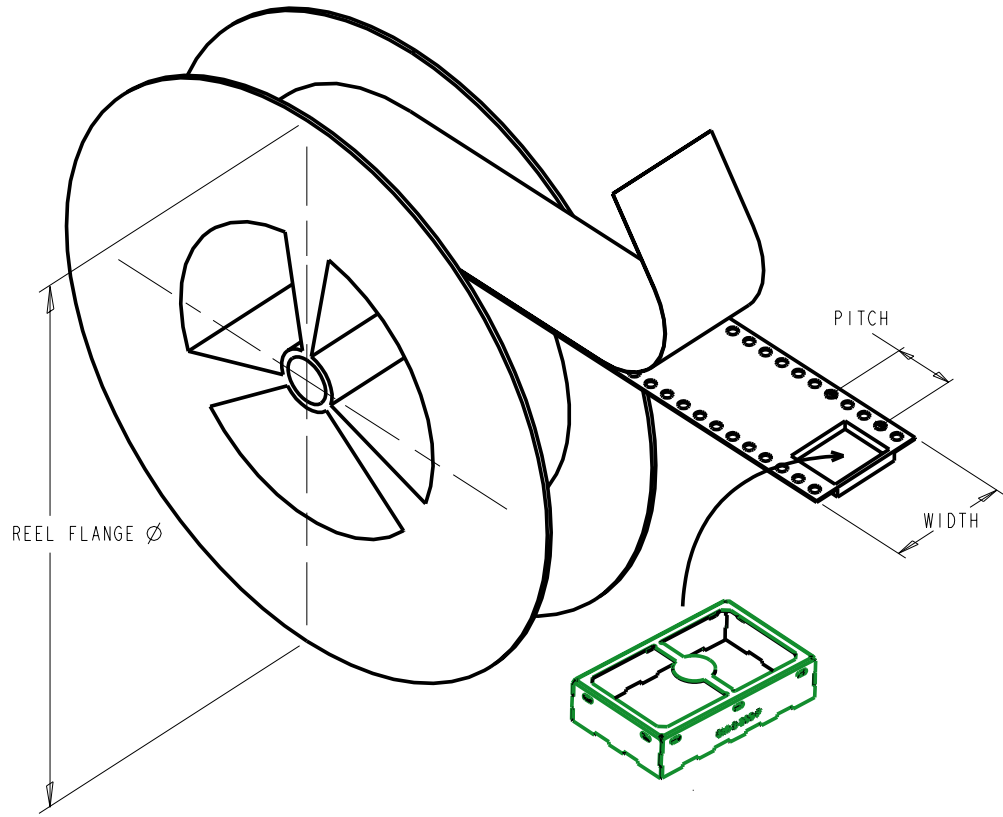
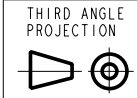
**REEL SPECIFICATIONS:**  
 >REEL DIAMETER= 381 (15.00)  
 >WIDTH= 44 (1.732)  
 >PITCH= 28(1.102)  
 >PARTS PER REEL= 400



FOOT PRINT LAYOUT  
SCALE 3.000

ALL DIMENSIONS ARE  
IN MILLIMETERS

TOLERANCES UNLESS SPECIFIED	
0.50 - 6.00	±0.10
6.00 - 30.00	±0.20
30.00 - 120.00	±0.30
120.00 - 400.00	±0.50
∅ HOLE	±0.10
ANGULAR TOL.	±1°



1751 WILKENING COURT  
SCHAUMBURG, IL 60173

TITLE: SHIELD FRAME		CUST. ENGR.		PART NO. BMI-S-209-F	
PROJECT: CATALOG		DATE: 06-28-02		SYSTEM: PRO/E	
DRAWN BY: ALP		SCALE: 1.000		DWG SIZE: C	
APP'D BY: BG		SHEET NO. 2 OF 2		REV. P2	

DO NOT SCALE PRINT  
LAIRD TECH. COPYRIGHT 2002

THE DRAWING ON THIS PRINT AND INFORMATION THEREWITH ARE PROPRIETARY TO LAIRD TECH, AND SHALL NOT BE USED OR DISCUSSED INWHOLE OR IN PART WITHOUT LAIRD TECH'S CONSENT.