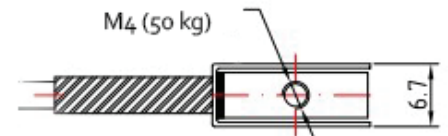
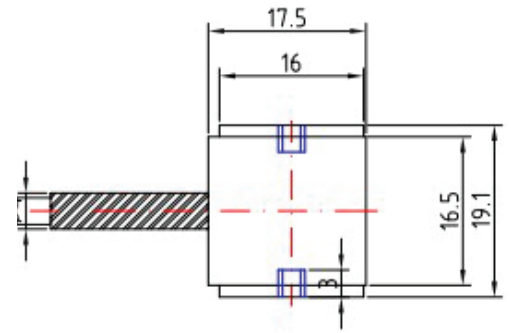
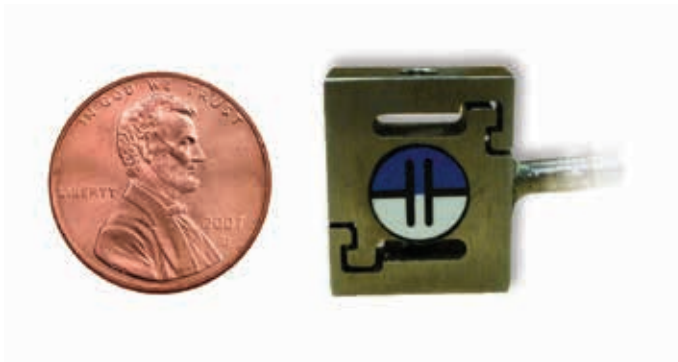


RES2 S-Beam Jr. Load Cell with Overload Protection

Dimensions



Accuracy Specifications

Accuracy	
Non-linearity	± 0.5% of Full Scale
Hysteresis	± 0.5% of Full Scale
Non-repeatability	± 0.5% of Full Scale

Load Cell Specifications

Zero Balance	± 2%
Safe Overload	to 150% of capacity (300% Ultimate Overload)
Rated Excitation	10V DC (20V Maximum)
Full Scale Output	2 mV/V ± 10%
Connections	20ft Cable
Input Impedance	350 ± 10 Ohm
Output Impedance	350 ± 3 Ohm
Insulation	> 5,000 MΩ
Creep, in 30 minutes	± 0.5% of Full Scale
Operating Temperature Range	-10°C to 40°C with TARE
Temperature Effect on Output	± 0.5% / 10°C of Load
Temperature Effect on Zero	± 0.5% / 10°C of Rated Output

Wiring Information

Cable Color Code	
Red	+ Excitation
Black	- Excitation
Green	+ Signal
White	- Signal

Ordering Information

Multiple Load Cell Capacities With Overload Protection	
RES2	Part No.
5 kg	RES2-005M-S
10 kg	RES2-010M-S
50 kg	RES2-050M-S

Compatible Accessories

Recommended Interfaces



DI-100U/DI-1000U
USB Load Cell Interface



DI-1000ZP
Wireless Load Cell Interface



AI-1000
Analog Signal Conditioner



RD-1000
Resistive Load Cell Display

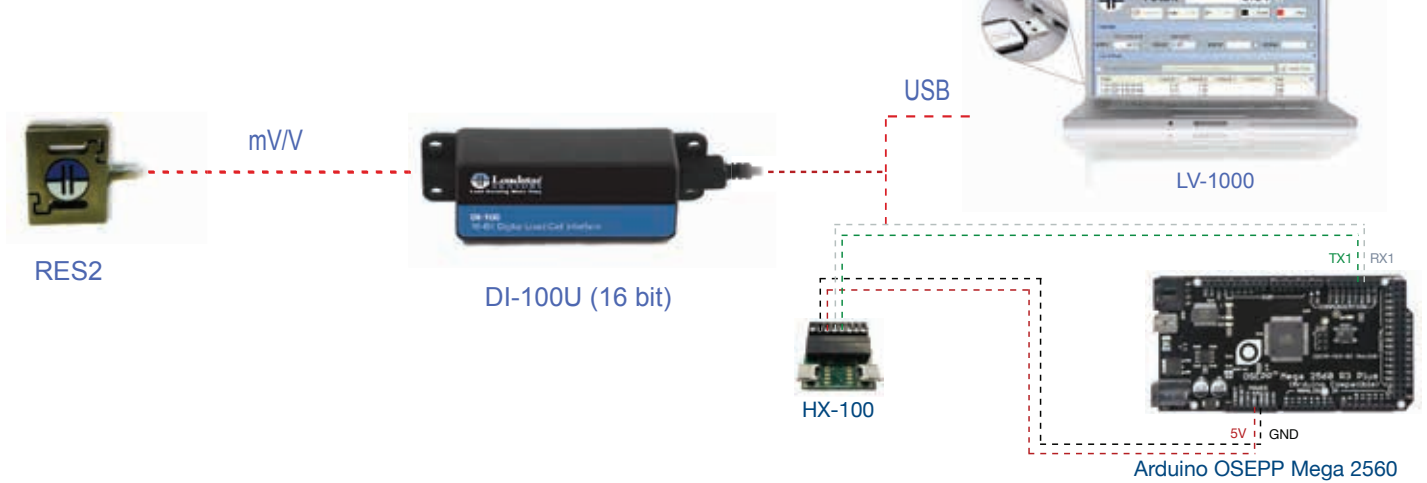
Calibration Options

*C01	Compression
*C02	Tension
*C03	Universal

Wireless Load Cell Configuration



USB/UART/Serial TTI Configuration



Analog Load Cell Configuration



Four Load Cell Configuration

