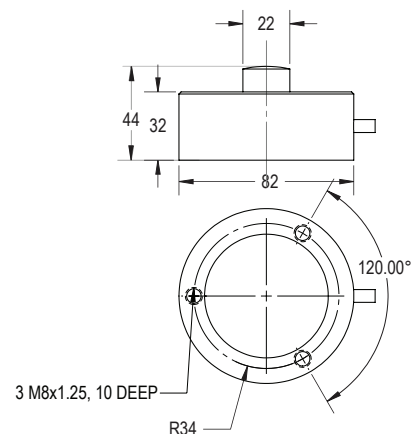


RSB1 Alloy Steel Low Profile Load Cell



(All dimensions are in mm)

Accuracy Specifications

Accuracy	
Non-linearity	± 0.05% of Full Scale
Hysteresis	± 0.05% of Full Scale
Non-repeatability	± 0.03% of Full Scale

Wiring Information

Cable Color Code	
Red	+ Excitation
Black	- Excitation
Green	+ Signal
White	- Signal

Load Cell Specifications

Zero Balance	± 2%
Safe Overload	to 150% of capacity (300% Ultimate Overload)
Rated Excitation	10V DC (15V Maximum)
Full Scale Output	3 mv/V
Connections	2m Cable
Input Impedance	385 ± 30 Ohm
Output Impedance	350 ± 4 Ohm
Insulation	> 2,000 MΩ
Creep, in 30 min	± 0.05% of Load
Operating Temperature Range	-20°C to 60°C with TARE
Temperature Effect on Output	0.02% of Full Scale/10°C
Temperature Effect on Zero	0.02% of Full Scale/10°C
Seal Type	IP66

Ordering Information

Multiple Load Cell Capacities	
RSB1	Part No.
2000 kilogram	RSB1-02KM-S
5000 kilogram	RSB1-05KM-S

Calibration Options

*C01	Compression
------	-------------

Compatible Accessories

Recommended Interfaces



DI-100U/DI-1000U
Digital Load Cell Interface



DI-1000Z
Wireless Load Cell Interface



AI-1000
Signal Conditioner



RD-1000
Resistive Load Cell Display

Wireless Load Cell Configuration



USB Load Cell Configuration



Analog Load Cell Configuration

