



# TO-8 Photocells

Hermetic Package

## Features

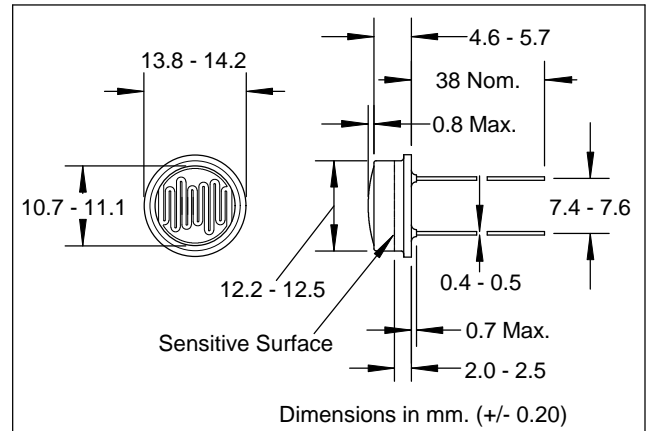
- Five Photoconductive Materials
- Tolerance:  $\pm 40\%$  @ 1 ftc,  $\pm 33\%$  @ 2 ftc

## Description

The Silonex TO-8 series of photoconductive provide up to eight standard resistance ranges in CdS or CdSe materials.

## Absolute Maximum Ratings

Operating & Storage Temperature       $-60^{\circ}\text{C}$  to  $+75^{\circ}\text{C}$   
 Power Dissipation @  $25^{\circ}\text{C}$  (1)      500 mW



## Electrical Characteristics ( $T_A=25^{\circ}\text{C}$ , source at $2854^{\circ}\text{K}$ unless otherwise noted)

Silonex Part No	Sensitive Material	Spectral Peak (nm)	R @ 1 ftc (Kohms) (3)	R @ 2 ftc (Kohms) (3)	R <sub>TYP</sub> @ 100 ftc (ohms)	Min. R <sub>DARK</sub> (Kohms) (2)	V <sub>MAX</sub> (Volts) (peak AC or DC)
NSL-4910	Type 4 CdS	515	9.3		150	560	80
NSL-4920			4.0		80	250	80
NSL-4930			1.7		50	100	80
NSL-4940			0.725		30	50	80
NSL-4950			40		860	2400	320
NSL-4960			17		500	1000	320
NSL-4970			7.25		260	400	320
NSL-4980			114		2500	6800	320
NSL-5910	Type 5 CdS	550		1.5	150	100	170
NSL-5920				3.0	300	200	170
NSL-5930				6.0	500	400	250
NSL-5940				9.0	700	600	250
NSL-6910	Type 6 CdSe	690		0.25	25	67	170
NSL-6920				0.51	50	300	170
NSL-6930				1.02	100	680	170
NSL-6940				1.5	150	1000	250
NSL-7910	Type 7 CdS	615		7.5	800	1500	250

Specifications subject to change without notice

103286 REV 2

## Notes:

- (1) derate linearly to zero at  $75^{\circ}\text{C}$ .
- (2) 5 sec. after removal of test light.
- (3) cells light adapted at 30 to 50 Ftc for 16 hrs minimum prior to electrical tests.

5200 St. Patrick St., Montreal  
 Que., H4E 4N9, Canada  
 Tel: 514-768-8000  
 Fax: 514-768-8889

The Old Railway, Princes Street  
 Ulverston, Cumbria, LA12 7NQ, UK  
 Tel: 01 229 581 551  
 Fax: 01 229 581 554