

Slide Beam2424-088

SKU: 60818 Weight: 56.00 Gram

What Is Slide Beam2424-088?

Slide Beam2424-088 is a frequently-used mechanical part of Makeblock platform, and also compatibles with most Makeblock mechanical components. There are various mounting holes and a threaded slot on the plane of this beam which allow you to assemble on other structures easily.

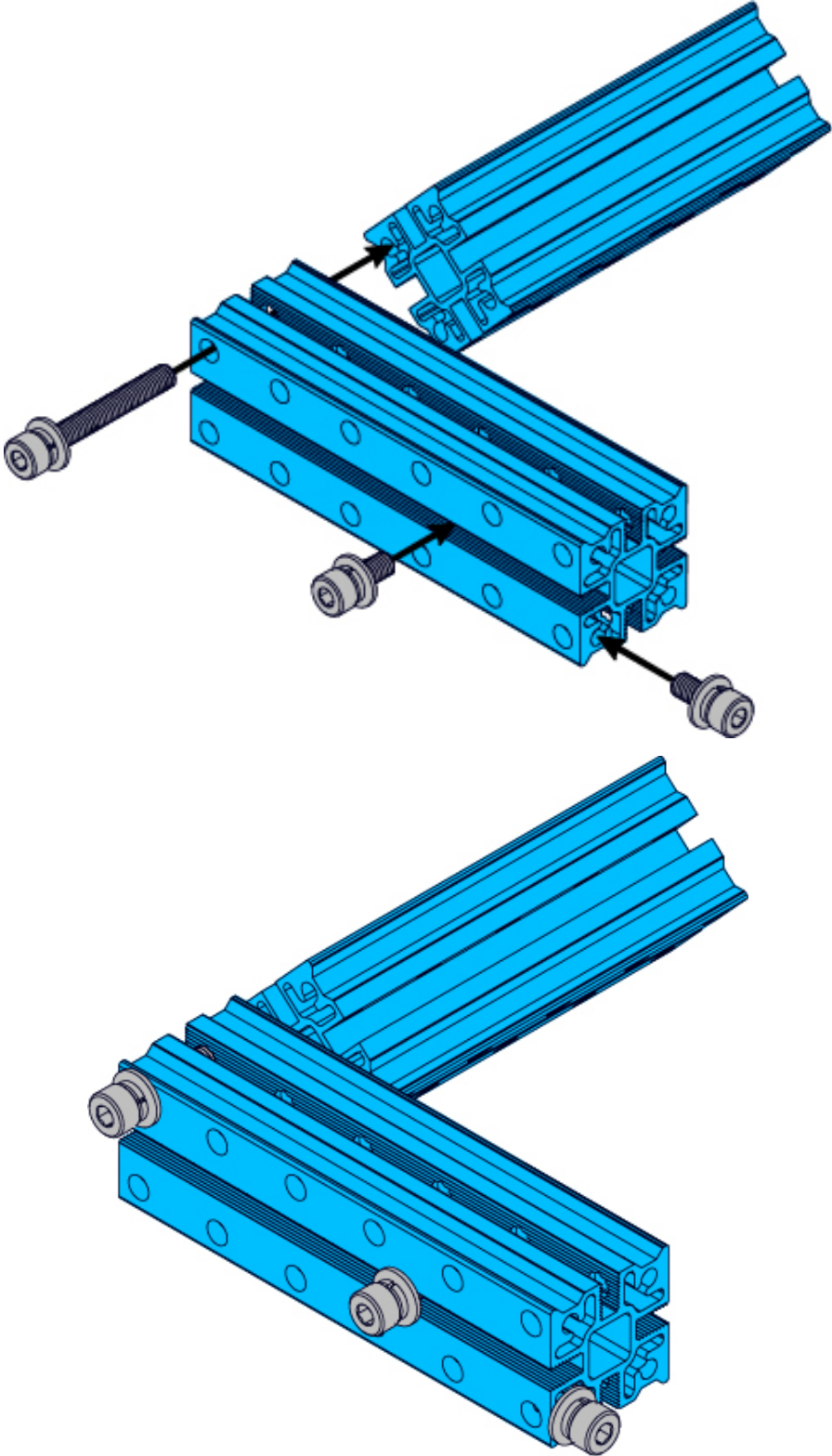
Features

? Made from heavy-duty 6061 aluminum extrusion and has a nice appearance. With holes on 16mm increments, and M4 threaded holes on both ends.

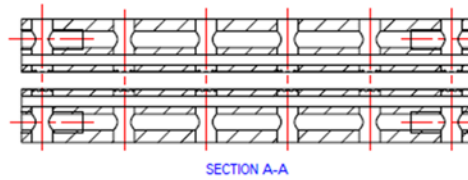
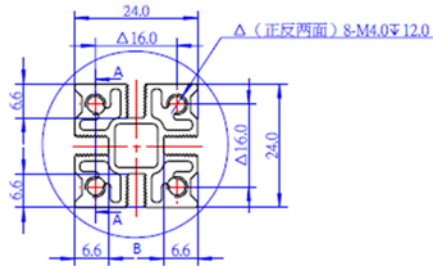
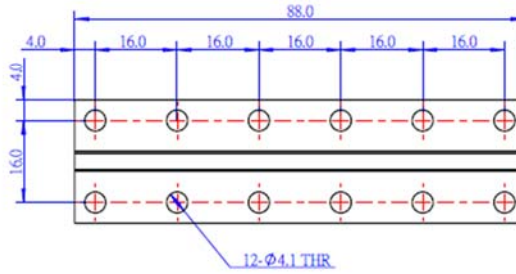
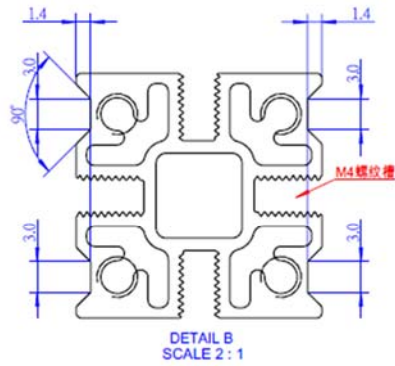
? High wear resistance, strong rigidity and high intensity.

? Cross-section area: 24*24mm, length: 88mm.

DEMO

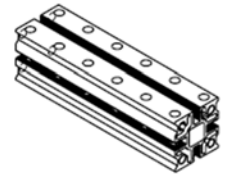


Size Charts



其余 √

加工数量	
工艺	工艺要求



Specifications

SKU	60818
Product Name	Slide Beam2424-088
Length	88mm
Cross-section Area	24x24x88mm
Gross Weight	56g(1.98oz)
Package Content (Quantity x Part Name)	1 x Slide Beam2424-088