

# Data sheet

## 25G RJ45 field plug pro 360

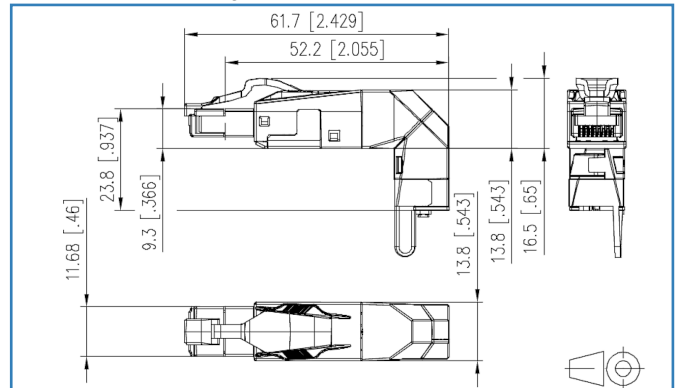
Page 1/6

P/N  
130G405042-E  
EAN 4251394618562  
2019/09/18  
Version: A

### Illustrations



Dimensional drawing



See enlarged drawings at the end of document



### Product specification

- RJ45 plug to be assembled in the field for 25 Gbit up to 1250 MHz
- fully shielded and multi-port capable
- variable (360°) cable feed, freely selectable
- easy assembly - connection without special tools
- wire connection: stranded wire AWG 27/7 to 22/7, wire diameter from 0.43 to 0.76 mm
- wire connection: solid wire AWG 26/1 to 22/1, wire diameter from 0.4 to 0.64 mm
- transmission characteristics per ISO/IEC 11801 Ed.3:2017 (up to 1250 MHz)
- suitable for 25GBASE-T 25 GBit Ethernet (IEEE 802.3bq), Remote Powering (PoE, PoE plus, UPoE and 4PPoE) and HDBaseT
- degree of protection IP20
- for cable jacket diameter from 5.5 to 10.5 mm
- zinc die-cast housing for industrial use consists of only 2 parts
- strain relief by latching clip directly on the stuffer cap
- protected locking hook
- reconnectable



## Data sheet 25G RJ45 field plug pro 360

Page 2/6

P/N  
130G405042-E  
EAN 4251394618562  
2019/09/18  
Version: A

### Technical Data

#### General Data

Fields of application	Structured building cabling
Design	plug
Shielding	shielded
Transmission technology	Copper
Color	red
Dimensions	
Dimension (L x W x H)	49.8 mm x 13.8 mm x 16.5 mm
Dimension (L x W x H)	1.961 in. x 0.543 in. x 0.65 in.
Field assembly ability	yes
Multi-port capability	yes
Labeling option	on housing

#### Transmission characteristics

Remote Powering	yes
PoE	IEEE 802.3af
PoE plus	IEEE 802.3at
UPoE	yes
4PPoE	IEEE 802.3bt
HDBaseT	yes
Transmission rate up to 10 GBit	IEEE 802.3an

#### Connections/interfaces

Connector technology interface 1	IDC-connection
Connector technology interface 2	RJ45 plug
Number of ports interface 2	1
Number of ports interface 2 equipped	1
Number of positions/contacts interface 1	8
Number of positions/contacts interface 2	8P/8C



## Data sheet 25G RJ45 field plug pro 360

Page 3/6

P/N  
130G405042-E  
EAN 4251394618562  
2019/09/18  
Version: A

### Technical Data

#### Connections/interfaces

Termination data, solid wire (min. - max.)

Conductor cross section, solid wire	AWG 26/1 - AWG 22/1
Conductor cross section, solid wire	0.128 mm <sup>2</sup> - 0.324 mm <sup>2</sup>
Conductor diameter, solid wire (bare copper)	0.409 mm - 0.643 mm
Conductor diameter, solid wire (bare copper)	0.016 in. - 0.025 in.

Termination data, stranded wire (min. - max.)

Conductor cross section, stranded wire	AWG 27/7 - AWG 22/7
Conductor cross section, stranded wire	0.111 mm <sup>2</sup> - 0.355 mm <sup>2</sup>
Conductor diameter, stranded wire (bare copper)	0.457 mm - 0.762 mm
Conductor diameter, stranded wire (bare copper)	0.018 in. - 0.03 in.

Core diameter (min. - max.)

Core diameter (conductor with insulation)	1.6 mm
Core diameter (conductor with insulation)	0.063 in.

Cable sheath diameter (min. - max.)

Cable sheath diameter	5.5 mm - 10.5 mm
Cable sheath diameter	0.217 in. - 0.413 in.

Cable access/outlet	variable, selectable (360°)
---------------------	-----------------------------

Reconnectibility	yes
------------------	-----

Shield connection	flexible contact spring
-------------------	-------------------------

#### Electrical characteristics

Current carrying capacity	max. 1 A
---------------------------	----------

Rated voltage	max. 50 V
---------------	-----------

Contact resistance	max. 20 mOhm
--------------------	--------------

Insulation resistance	min. 500 MOhm
-----------------------	---------------

Dielectric strength conductor-conductor (secondary)	1000 V DC
---	-----------

Dielectric strength conductor-shield	1500 V DC
--------------------------------------	-----------

#### Mechanical characteristics

Mounting method	snap-in function
-----------------	------------------

Insertion and withdrawal force	max. 20 N
--------------------------------	-----------

Life - Number of mating cycles	min. 750
--------------------------------	----------

Position/mounting of latch - standard installation position	top
---	-----

strain relief	latching clip
---------------	---------------

## Data sheet 25G RJ45 field plug pro 360

### Technical Data

#### Materials and material properties

Material - Housing	GD-Zn (zinc die-cast)
Material - Contact	CuSn (tin bronze)
Material - Contact finish	Ni + Au (nickel-gold)
Material - Latch	Plastics
Material - Finish	Ni (nickel)
RoHS	compliant

#### Environmental conditions

Temperature (min. - max.)	
Temperature - Storage °C	-40 °C - 85 °C
Temperature - Storage °F	-40 °F - 185 °F
Temperature - Operating °C	-40 °C - 85 °C
Temperature - Operating °F	-40 °F - 185 °F
Particulate ingress	IP2X
Liquid ingress/immersion	IPX0
Electromagnetic measurement	E2

#### Approvals

CE	compliant	
UL listed (file no.)		DUXR.E178484

#### The product meets the following standards

Generic cabling systems	
General requirements	ANSI/TIA-568-C
Office buildings	ISO/IEC 11801 Ed.2.2: 2011-06   DIN EN 50173-2 ANSI/TIA-568-C
Industrial area	ISO/IEC 24702   DIN EN 50173-3 ANSI/TIA-1005
Living units	ISO/IEC 15018   DIN EN 50173-4 ANSI/TIA-570-B

## Data sheet 25G RJ45 field plug pro 360

Page 5/6

P/N  
130G405042-E  
EAN 4251394618562  
2019/09/18  
Version: A

### Technical Data

#### The product meets the following standards

Application-specific communications cabling systems	
Industrial communication networks - Installation of communication networks	IEC 61918
Connectors for electronic equipment	
Free and fixed connectors	IEC 60603-7-51
Connectors for electronic equipment - Tests and measurements	
Test schedule for connectors	DIN-EN 60512-99-001, DIN-EN 60512-99-002
Interference proof	
Immunity for industrial environments	DIN EN 61000-6-2:2006-03
Emission proof	
Electromagnetic emission for residential, commercial and light-indus	DIN EN 61000-6-3:2011-09

#### Classifications

ETIM 5.0	EC001121
ETIM 6.0	EC001121
ETIM 7.0	EC001121

#### Packing details

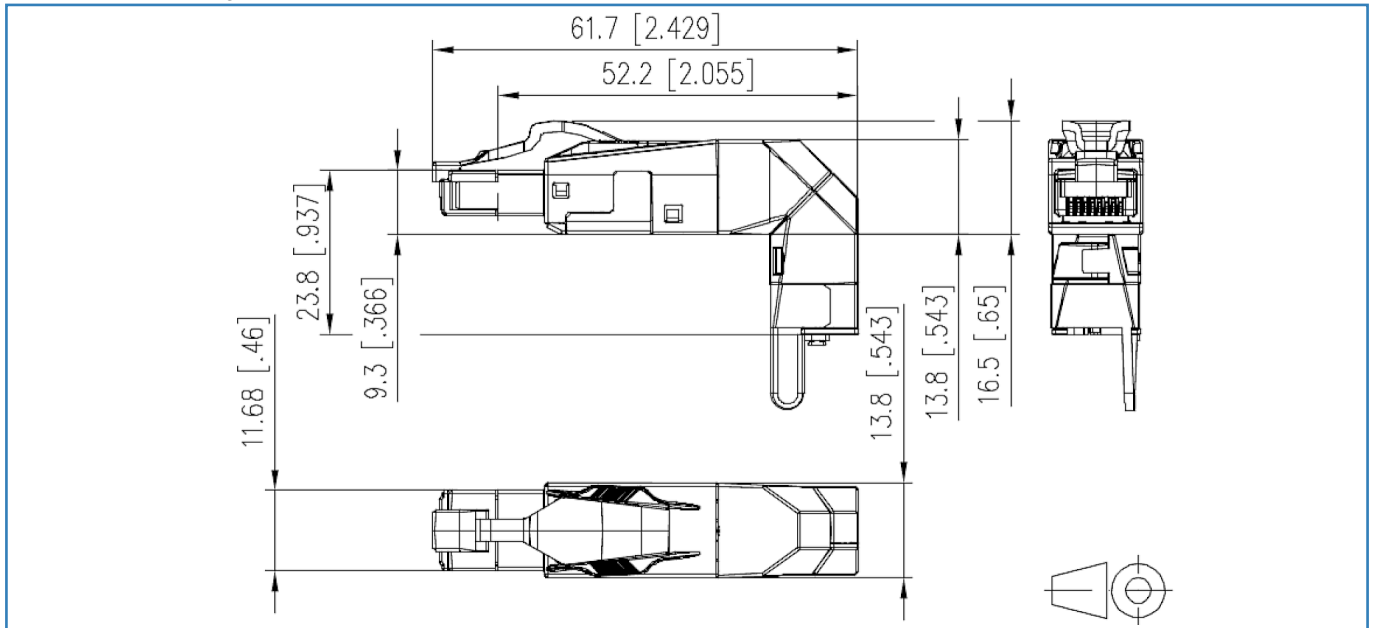
Type of packaging	10 pc(s) / box
Packaging unit - Weight (gram)	413 g
Packaging unit - Weight (pound)	0.91 lb
Packaging dimension	258 mm x 164 mm x 51 mm
Packaging dimension	10.157 in. x 6.457 in. x 2.008 in.



**Data sheet**  
**25G RJ45 field plug pro 360**

**Illustrations**

Dimensional drawing



© 2019 METZ CONNECT - Technische Änderungen vorbehalten! Subject to modifications! Sous réserve de modifications techniques!