



# SY89809L

## 3.3V 1:9 High-Performance, Low-Voltage Bus Clock Driver

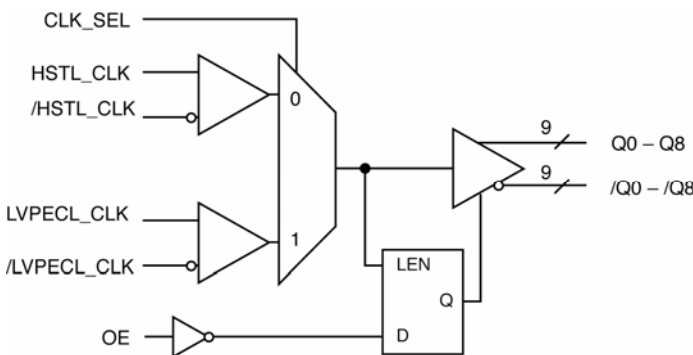
### General Description

The SY89809L is a High-Performance Bus Clock Driver with 9 differential HSTL (High-Speed Transceiver Logic) output pairs. The part is designed for use in low-voltage (3.3V/1.8V) applications, which require a large number of outputs to drive precisely aligned, ultra-low skew signals to their destination. The input is multiplexed from either HSTL or LVPECL (Low-Voltage Positive-Emitter-Coupled Logic) by the CLK\_SEL pin. The Output Enable (OE) is synchronous so that the outputs will only be enabled/disabled when they are already in the LOW state. This avoids any chance of generating a runt clock pulse when the device is enabled/disabled as can happen with an asynchronous control.

The SY89809L features low pin-to-pin skew (50ps max.) and low part-to-part skew (200ps max.)—performance previously unachievable in a standard product having such a high number of outputs. The SY89809L is available in a single space saving package, enabling a lower overall cost solution.

Datasheets and support documentation can be found on Micrel's web site at: [www.micrel.com](http://www.micrel.com).

### Logic Symbol



Precision Edge®

### Features

- 3.3V core supply, 1.8V output supply for reduced power
- LVPECL and HSTL inputs
- 9 differential HSTL (low-voltage swing) output pairs
- HSTL outputs drive 50Ω-to-ground with no offset voltage
- 500MHz maximum clock frequency
- Low part-to-part skew (200ps max.)
- Low pin-to-pin skew (50ps max.)
- Available in 32-pin TQFP

### Applications

- High-performance PCs
- Workstations
- Parallel processor-based systems
- Other high-performance computing
- Communications

Level	Direction	Signal
HSTL	Input	HSTL_CLK, /HSTL_CLK
HSTL	Output	Q0 – Q8, /Q0 – /Q8
LVPECL	Input	LVPECL_CLK, /LVPECL_CLK
LVCMOS/LVTTL	Input	CLK_SEL, OE

Table 1. Signal Groups

OE <sup>(1)</sup>	CLK_SEL	Q0 – Q8	/Q0 – /Q8
0	0	LOW	HIGH
0	1	LOW	HIGH
1	0	HSTL_CLK	/HSTL_CLK
1	1	LVPECL_CLK	/LVPECL_CLK

Table 2. Truth Table

#### Note:

1. The OE (output enable) signal is synchronized with the low level of the HSTL\_CLK and LVPECL\_CLK signal.

Precision Edge is a registered trademark of Micrel, Inc.

Micrel Inc. • 2180 Fortune Drive • San Jose, CA 95131 • USA • tel +1 (408) 944-0800 • fax + 1 (408) 474-1000 • <http://www.micrel.com>

December 2009

M9999-121409-D  
[hbwhelp@micrel.com](mailto:hbwhelp@micrel.com) or (408) 955-1690

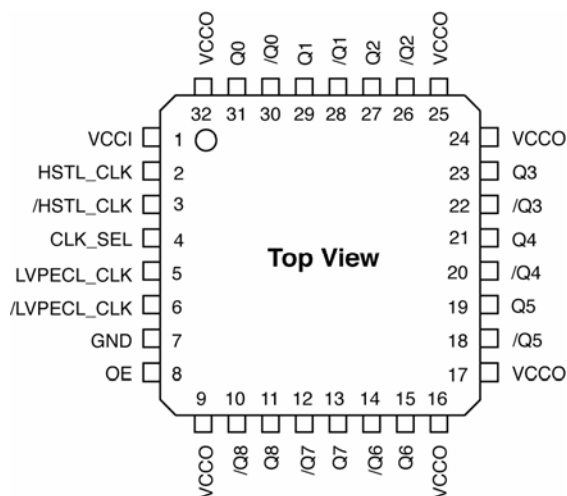
## Ordering Information<sup>(1)</sup>

Part Number	Package Type	Operating Range	Package Marking	Lead Finish
SY89809LTC	T32-1	Commercial	SY89809LTC	Sn-Pb
SY89809LTCTR <sup>(2)</sup>	T32-1	Commercial	SY89809LTC	Sn-Pb
SY89809LTH <sup>(3)</sup>	T32-1	Commercial	SY89809LTH with Pb-Free bar-line indicator	NiPdAu Pb-Free
SY89809LTHTR <sup>(2, 3)</sup>	T32-1	Commercial	SY89809LTH with Pb-Free bar-line indicator	NiPdAu Pb-Free

**Notes:**

1. Contact factory for die availability. Dice are guaranteed at T<sub>A</sub> = 25°C, DC Electricals only.
2. Tape and Reel.
3. Pb-Free package is recommended for new designs.

## Pin Configuration



**32-Pin TQFP (T32-1)**

## Pin Description

Pin Number	Pin Name	Type	Pin Function
2, 3	HSTL_CLK, /HSTL_CLK	HSTL Input	Differential input: This HSTL input can be selected by CLK_SEL. If it is not used, it can be left floating. This produces a LOW at the output. If driven by an HSTL driver, an external 50Ω to ground termination is required at the input.
5, 6	LVPECL_CLK, /LVPECL_CLK	LVPECL Input	Differential input: This LVPECL input can be selected by CLK_SEL. If it is not used, it can be left floating. This produces a LOW at the output (internal 75kΩ pull-downs).
4	CLK_SEL	LVTTL Input	Selected HSTL_CLK input when LOW and LVPECL_CLK output when HIGH. 11kΩ pull-up.
8	OE	LVTTL Input	Single-ended input: This LVTTL input disables and enables the Q0-Q8 output pairs. It is internally synchronized to prevent glitching of the Q0-Q8 output pairs. It is internally connected to a 11kΩ pull-up resistor and will default to a logic HIGH state if left open.
31, 29, 27, 23, 21, 19, 15, 13, 11	Q0 – Q8	HSTL Output	Differential clock outputs from HSTL_CLK when CLK_SEL = LOW and LVPECL outputs when CLK_SEL = HIGH. HSTL outputs must be terminated with 50Ω to GND. Q0-Q8 outputs are static LOW when OE = LOW. Unused output pairs may be left floating.
30, 28, 26, 22, 20, 18, 14, 12, 10	/Q0 – /Q8	HSTL Output	Differential clock outputs from HSTL_CLK when CLK_SEL = LOW and LVPECL outputs when CLK_SEL = HIGH. HSTL outputs must be terminated with 50Ω to GND. /Q0-/Q8 outputs are static HIGH when OE = LOW. Unused output pairs may be left floating.
1	VCCI	VCC Core Power	Core V <sub>CC</sub> connected to 3.3V supply. Bypass with 0.1μF in parallel with 0.01μF low ESR capacitors as close to V <sub>CCI</sub> pin as possible.
9, 16, 17, 24, 25, 32	VCCO	VCC Output Power	Output Buffer VCC connected to 1.8V supply. Bypass with 0.1μF in parallel with 0.01μF low ESR capacitors as close to V <sub>CCO</sub> pins as possible. All V <sub>CCO</sub> pins should be connected together on the PCB.
7	GND	Ground	Ground.

### Absolute Maximum Ratings<sup>(1)</sup>

Supply Voltage ( $V_{IN}$ )	-0.5V to $V_{CCI}$
$V_{CC}$ Pin Potential to Ground Pin ( $V_{CCI}, V_{CCO}$ )	-0.5V to +4.0V
DC Output Current, Output HIGH ( $I_{OUT}$ )	-50mA
Lead Temperature (soldering, 20sec.)	260°C
Storage Temperature ( $T_s$ )	-65°C to +150°C

### Operating Ratings<sup>(2)</sup>

Supply Voltage ( $V_{CCI}$ )	+3.0V to +3.6V
( $V_{CCO}$ )	+1.6V to +2.0V
Ambient Temperature ( $T_A$ )	0°C to +85°C
Package Thermal Resistance	
TQFP ( $\theta_{JA}$ )	
-Still-Air	50°C/W
-500lfpm	42°C/W
TQFP ( $\theta_{JC}$ )	20°C/W

### DC Electrical Characteristics

$T_A = 0^\circ\text{C}$  to  $+85^\circ\text{C}$ , unless noted.

#### Power Supply

Symbol	Parameter	Condition	Min	Typ	Max	Units
$V_{CCI}$	$V_{CC}$ Core		3.0	3.3	3.6	V
$V_{CCO}$	$V_{CC}$ Output		1.6	1.8	2.0	V
$I_{CCI}$	$I_{CC}$ Core			115	140	mA

#### HSTL

Symbol	Parameter	Condition	Min	Typ	Max	Units
$V_{OH}$	Output HIGH Voltage <sup>(3)</sup>		1.0		1.2	V
$V_{OL}$	Output LOW Voltage <sup>(3)</sup>		0.2		0.4	V
$V_{IH}$	Input HIGH Voltage		$V_X + 0.1$		1.6	V
$V_{IL}$	Input LOW Voltage		-0.3		$V_X - 0.1$	V
$V_X$	Input Crossover Voltage		0.68		0.9	V
$I_{IH}$	Input HIGH Current		+20		-350	$\mu\text{A}$
$I_{IL}$	Input LOW Current				-500	$\mu\text{A}$

#### LVPECL

Symbol	Parameter	Condition	Min	Typ	Max	Units
$V_{IH}$	Input HIGH Voltage		$V_{CCI} - 1.165$		$V_{CCI} - 0.880$	V
$V_{IL}$	Input LOW Voltage		$V_{CCI} - 1.810$		$V_{CCI} - 1.475$	V
$I_{IH}$	Input HIGH Current				+150	$\mu\text{A}$
$I_{IL}$	Input LOW Current		0.5			$\mu\text{A}$

#### LVC MOS/LVTTL

Symbol	Parameter	Condition	Min	Typ	Max	Units
$V_{IH}$	Input HIGH Voltage		2.0			V
$V_{IL}$	Input LOW Voltage				0.8	V
$I_{IH}$	Input HIGH Current		+20		-250	$\mu\text{A}$
$I_{IL}$	Input LOW Current				-600	$\mu\text{A}$

#### Notes:

1. Exceeding the absolute maximum rating may damage the device.
2. The device is not guaranteed to function outside its operating rating.
3. Outputs loaded with 50 $\Omega$  to ground.

## AC Electrical Characteristics<sup>(4)</sup>

$T_A = 0^\circ\text{C}$  to  $+85^\circ\text{C}$ , unless noted.

Symbol	Parameter	Condition	Min	Typ	Max	Units
$t_{PD}$	Propagation Delay <sup>(5)</sup>		825	1050	1275	ps
$f_{MAX}$	Maximum Operating Frequency <sup>(6)</sup>		500			MHz
$t_{SKEW}$	Within-Device Skew <sup>(7)</sup>				50	ps
$t_{SKPP}$	Part-to-Part Skew <sup>(8)</sup>				200	ps
$t_{JITTER}$	Phase Noise(RMS)	12kHz-20MHz @ 500MHz See Figure 3		0.241	1	ps
$V_{PP}$	Minimum Input Swing <sup>(9)</sup> LVPECL_CLK		600			mV
$V_{CMR}$	Common Mode Range <sup>(10)</sup> LVPECL_CLK		-1.5		-0.4	V
$t_S$	OE Set-Up Time <sup>(11)</sup>		1.0			ns
$t_H$	OE Hold Time		0.5			ns
$t_r, t_f$	Output Rise/Fall Time (20% to 80%)		300		650	ps

### Notes:

- Outputs loaded with  $50\Omega$  to ground. Airflow  $\geq 300$ lfpm.
- Differential propagation delay is defined as the delay from the crossing point of the differential input signals to the crossing point of the differential output signals.
- Output swing greater than 450mV.
- The within-device skew is defined as the worst-case difference between any two similar delay paths within a single device operating at the same voltage and temperature.
- The part-to-part skew is defined as the absolute worst-case difference between any two delay paths on any two devices operating at the same voltage and temperature.
- The  $V_{PP}(\text{min})$  is defined as the minimum input differential voltage which will cause no increase in the propagation delay.
- $V_{CMR}$  is defined as the range within which the  $V_{IH}$  level may vary with the device still meeting the propagation delay specification. The numbers in the table are referenced to  $V_{CCI}$ . The  $V_{IL}$  level must be such that the peak-to-peak voltage is less than 1.0V and greater than or equal to  $V_{PP}(\text{min})$ .
- OE set-up time is defined with respect to the rising edge of the clock. OE HIGH-to-LOW transition ensures outputs remain disabled during the next clock cycle.

## Output Waveforms

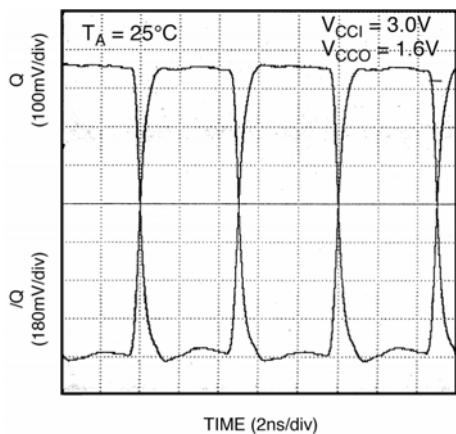


Figure 1. 100MHz Output Waveform

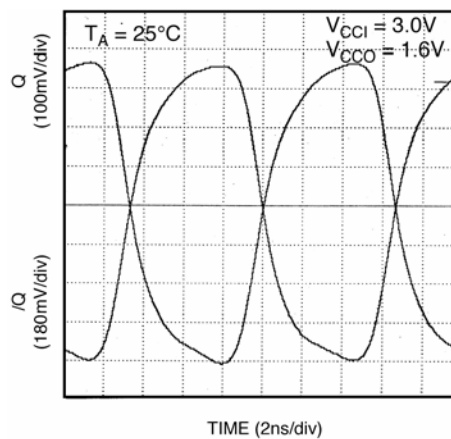


Figure 2. 300MHz Output Waveform

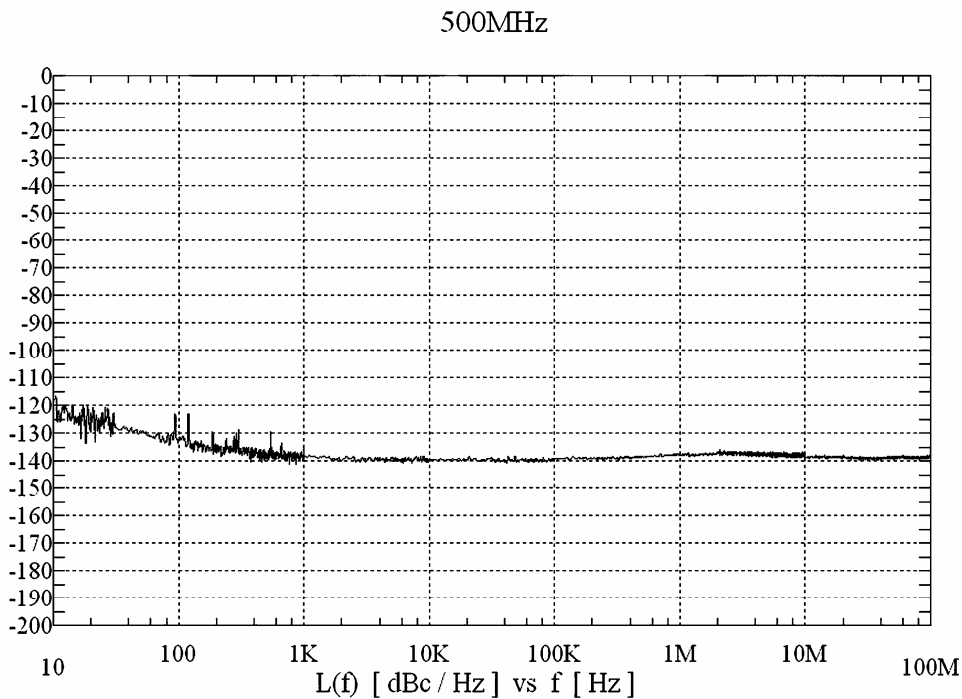
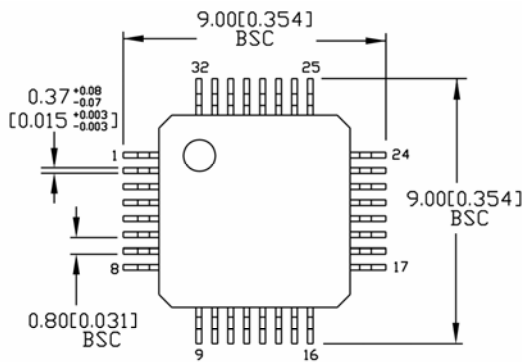


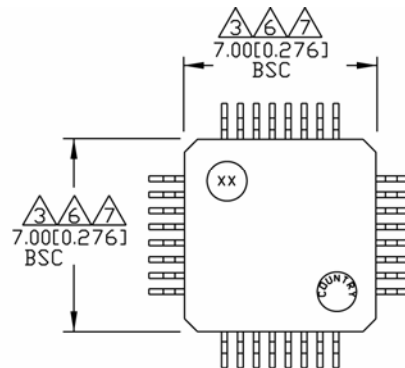
Figure 4. Phase Noise Plot



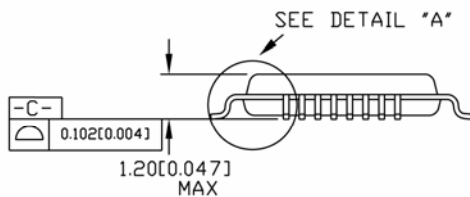
**Package Information**



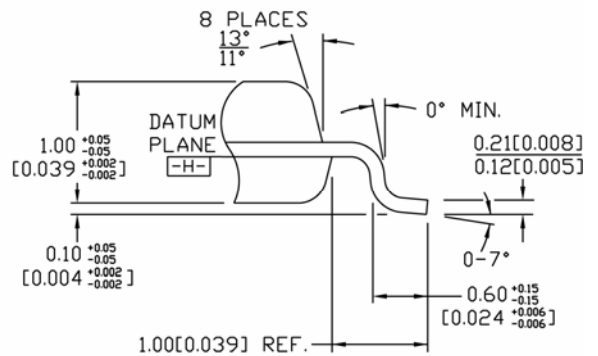
TOP VIEW



BOTTOM VIEW



SIDE VIEW



DETAIL "A"

**NOTES:**

1. DIMENSIONS ARE IN MM(INCHES).
2. CONTROLLING DIMENSION: MM.
3. DIMENSION DOES NOT INCLUDE MOLD FLASH OR PROTRUSIONS, EITHER OF WHICH SHALL NOT EXCEED 0.254 [0.010].
4. LEAD DIMENSION DOES NOT INCLUDE DAMBAR PROTRUSION.
5. MAXIMUM AND MINIMUM SPECIFICATIONS ARE INDICATED AS FOLLOWS: MAX/MIN.
6. THESE DIMENSIONS TO BE DETERMINED AT DATUM PLANE  $\square$ -H-
7. PACKAGE TOP DIMENSIONS ARE SMALLER THAN BOTTOM DIMENSIONS AND TOP OF PACKAGE WILL NOT OVERHANG BOTTOM OF PACKAGE.

**32-Pin TQFP (T32-1)**

**MICREL, INC. 2180 FORTUNE DRIVE SAN JOSE, CA 95131 USA**  
 TEL +1 (408) 944-0800 FAX +1 (408) 474-1000 WEB <http://www.micrel.com>

The information furnished by Micrel in this data sheet is believed to be accurate and reliable. However, no responsibility is assumed by Micrel for its use. Micrel reserves the right to change circuitry and specifications at any time without notification to the customer.

Micrel Products are not designed or authorized for use as components in life support appliances, devices or systems where malfunction of a product can reasonably be expected to result in personal injury. Life support devices or systems are devices or systems that (a) are intended for surgical implant into the body or (b) support or sustain life, and whose failure to perform can be reasonably expected to result in a significant injury to the user. A Purchaser's use or sale of Micrel Products for use in life support appliances, devices or systems is a Purchaser's own risk and Purchaser agrees to fully indemnify Micrel for any damages resulting from such use or sale.

© 2005 Micrel, Incorporated.