



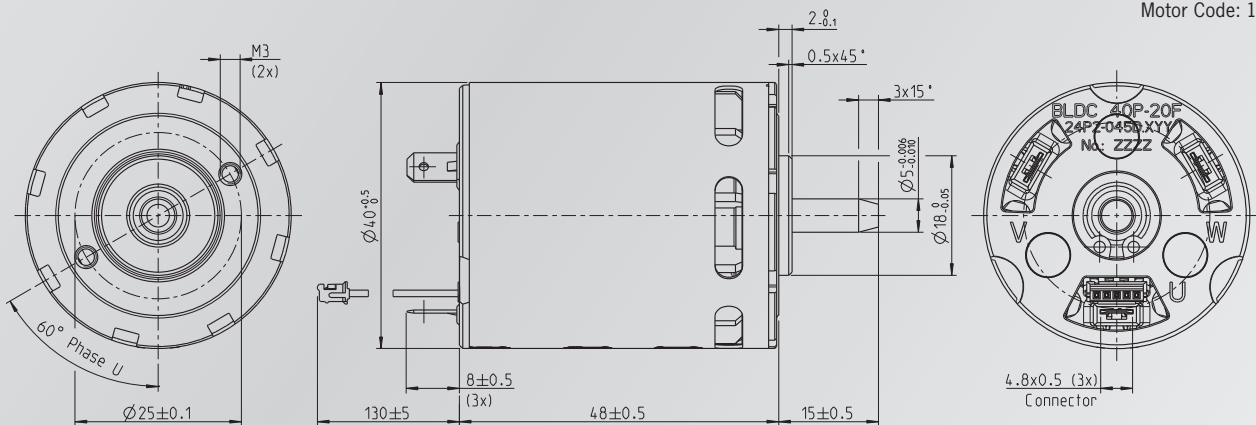
# BLDC 40P20F

24P2.045D

Brushless 3 – Phase DC Motor

Rated Voltage	No Load Speed	Rated Speed	Cont. Power	Rated Torque	Current at rated Speed	Efficiency at Duty Point
[ V ]	[ rpm ]	[ rpm ]	[ W ]	[ mNm ]	[ A ]	[ % ]
12	11.785	8.145	105	124	11,5	78
18	17.700	12.225	191	149	14,2	79

Motor Code: 121088800056



## General informations

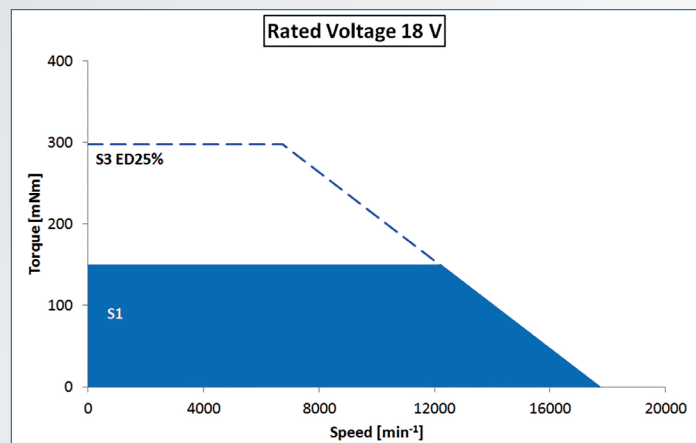
- **Class of protection:** IP20
- **Mounting position:** free
- **Duty cycle:** up to 100 %
- **Bearing system:** Ball Bearings
- **Torque Constant:** 9,2 mNm/A
- **Weight:** 0,225 kg
- **Rotor Inertia:** 32 gcm<sup>2</sup>
- **Oper. Temp. Range:** -20 °C to +45 °C
- **Max. Temp. Rise:** 70 K
- **Direction of Rotation:** CW / CCW
- **Class of Insulation:** H
- **Shaft Material:** Steel, not hardened
- **Number of Poles:** 8

## Options

- **Integrated Drive Electro.:** Yes
- **Planetary Gearbox:** Yes
- **Sensorless Operation:** Yes
- **Shaft hardened (Surface):** Yes

## Features

- High power-to-volume ratio
- High efficiency at duty point
- Extremely reliable

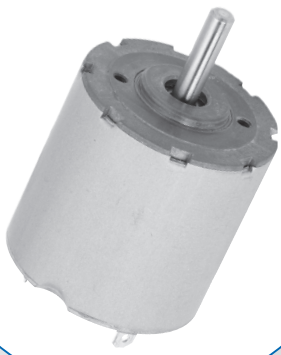


NMB Technologies Corporation  
 A MinebeaMitsumi Group Company  
 39830 Grand River Avenue  
 Novi, MI 48375  
 Tel: 248-919-2250  
 eMail: info@nmbtc.com

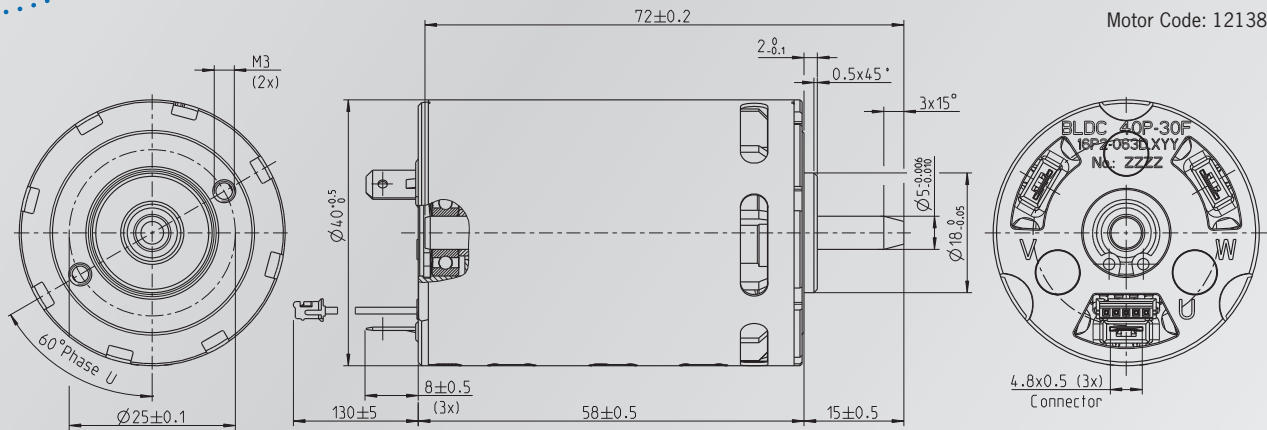
**MinebeaMitsumi**  
 Passion to Create Value through Difference

# BLDC 40P30F

11P2.071D



Rated Voltage	No Load Speed	Rated Speed	Cont. Power	Rated Torque	Current at rated Speed	Efficiency at Duty Point
[ V ]	[ rpm ]	[ rpm ]	[ W ]	[ mNm ]	[ A ]	[ % ]
12	18.545	12.655	241	182	26,3	82



## General informations

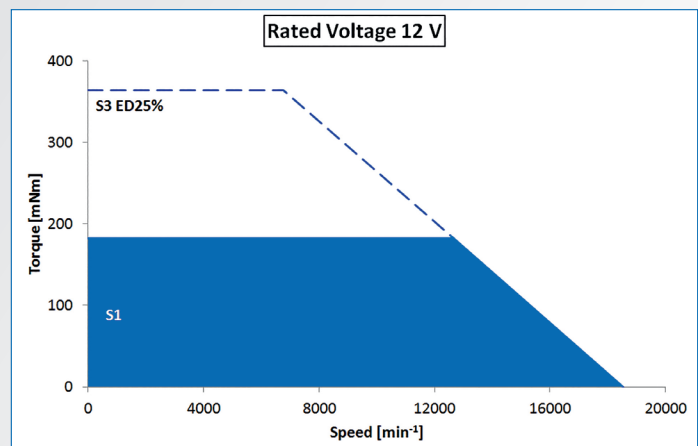
- **Class of protection:** IP20
- **Mounting position:** free
- **Duty cycle:** up to 100 %
- **Bearing system:** Ball Bearings
- **Torque Constant:** 5,8 mNm/A
- **Weight:** 0,285 kg
- **Rotor Inertia:** 40 gcm<sup>2</sup>
- **Oper. Temp. Range:** -20 °C to +45 °C
- **Max. Temp. Rise:** 70 K
- **Direction of Rotation:** CW / CCW
- **Class of Insulation:** H
- **Shaft Material:** Steel, not hardened
- **Number of Poles:** 8

## Options

- **Integrated Drive Electro.:** Yes
- **Planetary Gearbox:** Yes
- **Sensorless Operation:** Yes
- **Shaft hardened (Surface):** Yes

## Features

- High power-to-volume ratio
- High efficiency at duty point
- Extremely reliable

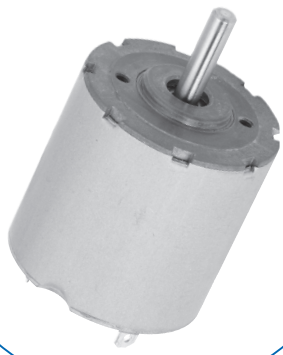


NMB Technologies Corporation  
 A MinebeaMitsumi Group Company  
 39830 Grand River Avenue  
 Novi, MI 48375  
 Tel: 248-919-2250  
 eMail: info@nmbtc.com  
 nmbtc.com

**MinebeaMitsumi**  
 Passion to Create Value through Difference

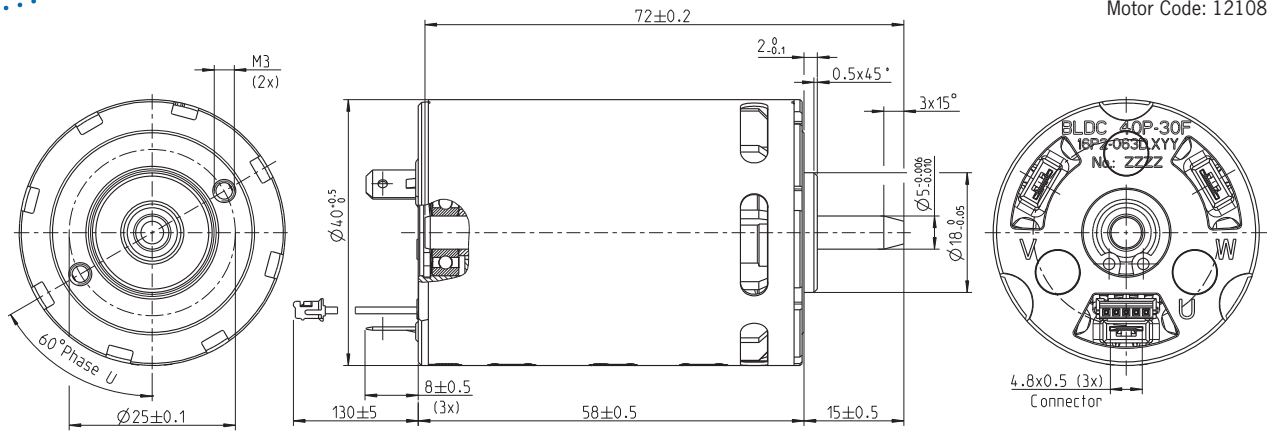
# BLDC 40P30F

16P2.063D



Rated Voltage	No Load Speed	Rated Speed	Cont. Power	Rated Torque	Current at rated Speed	Efficiency at Duty Point
[ V ]	[ rpm ]	[ rpm ]	[ W ]	[ mNm ]	[ A ]	[ % ]
18	18.500	13.800	290	200	20	84

Motor Code: 121088800022



## General informations

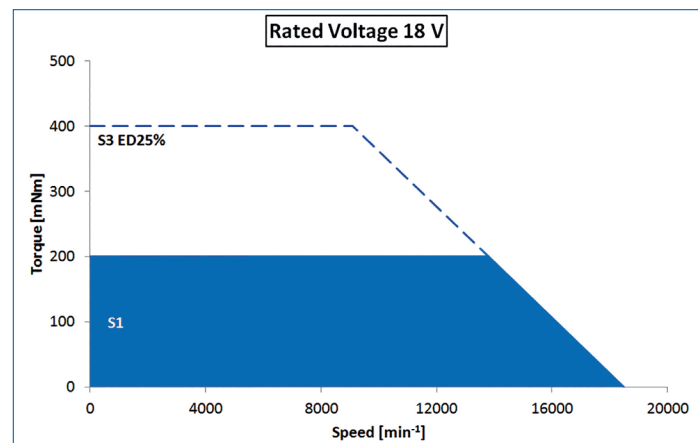
- **Class of protection:** IP20
- **Mounting position:** free
- **Duty cycle:** up to 100 %
- **Bearing system:** Ball Bearings
- **Torque Constant:** 8,7 mNm/A
- **Weight:** 0,285 kg
- **Rotor Inertia:** 40 gcm<sup>2</sup>
- **Oper. Temp. Range:** -20 °C to +45 °C
- **Max. Temp. Rise:** 70 K
- **Direction of Rotation:** CW / CCW
- **Class of Insulation:** H
- **Shaft Material:** Steel, not hardened
- **Number of Poles:** 8

## Options

- **Integrated Drive Electro.:** Yes
- **Planetary Gearbox:** Yes
- **Sensorless Operation:** Yes
- **Shaft hardened (Surface):** Yes

## Features

- High power-to-volume ratio
- High efficiency at duty point
- Extremely reliable



NMB Technologies Corporation  
 A MinebeaMitsumi Group Company  
 39830 Grand River Avenue  
 Novi, MI 48375  
 Tel: 248-919-2250  
 eMail: info@nmbtc.com  
 nmbtc.com

**MinebeaMitsumi**  
 Passion to Create Value through Difference

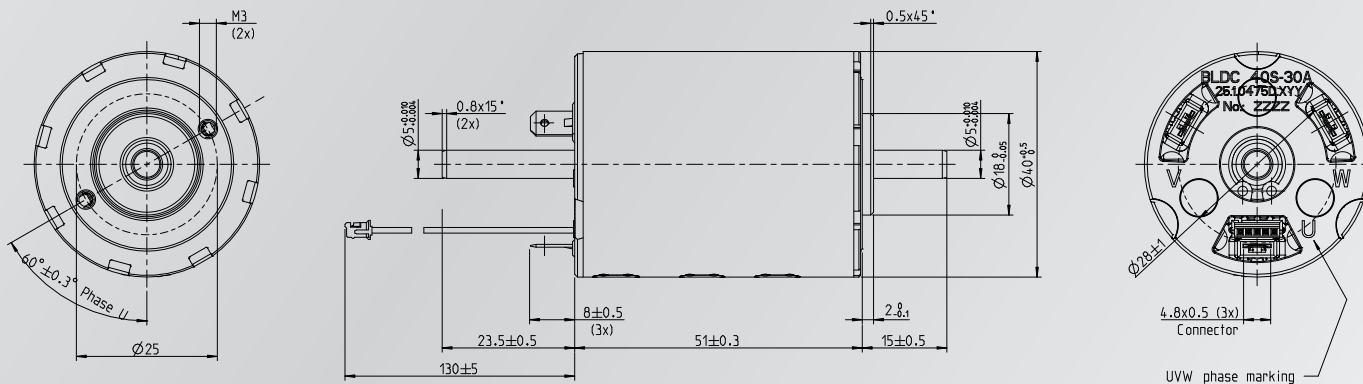


# BLDC 40S30A

25.1.0475D

Rated Voltage	No Load Speed	Rated Speed	Cont. Power	Rated Torque	Current at rated Speed	Efficiency at Duty Point
[ V ]	[ rpm ]	[ rpm ]	[ W ]	[ mNm ]	[ A ]	[ % ]
24	3.385	3.040	46	145	2,1	85

Motor Code: 121188800020



## General informations

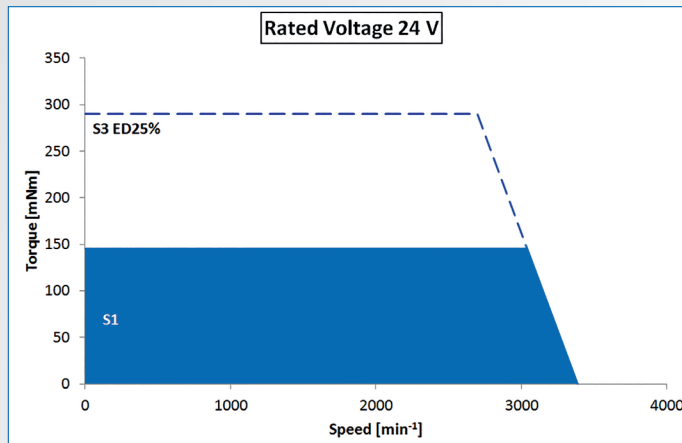
- **Class of protection:** IP20
- **Mounting position:** free
- **Duty cycle:** up to 100 %
- **Bearing system:** Ball Bearings
- **Torque Constant:** 64,7 mNm/A
- **Weight:** 0,3 kg
- **Rotor Inertia:** 50 gcm<sup>2</sup>
- **Oper. Temp. Range:** -20 °C to +45 °C
- **Max. Temp. Rise:** 70 K
- **Direction of Rotation:** CW / CCW
- **Class of Insulation:** H
- **Shaft Material:** Steel, not hardened
- **Number of Poles:** 16

## Options

- **Integrated Drive Electro.:** Yes
- **Planetary Gearbox:** Yes
- **Sensorless Operation:** Yes
- **Shaft hardened (Surface):** Yes

## Features

- High power-to-volume ratio
- High efficiency at duty point
- Extremely reliable



NMB Technologies Corporation  
 A MinebeaMitsumi Group Company  
 39830 Grand River Avenue  
 Novi, MI 48375  
 Tel: 248-919-2250  
 eMail: info@nmbtc.com  
 nmbtc.com



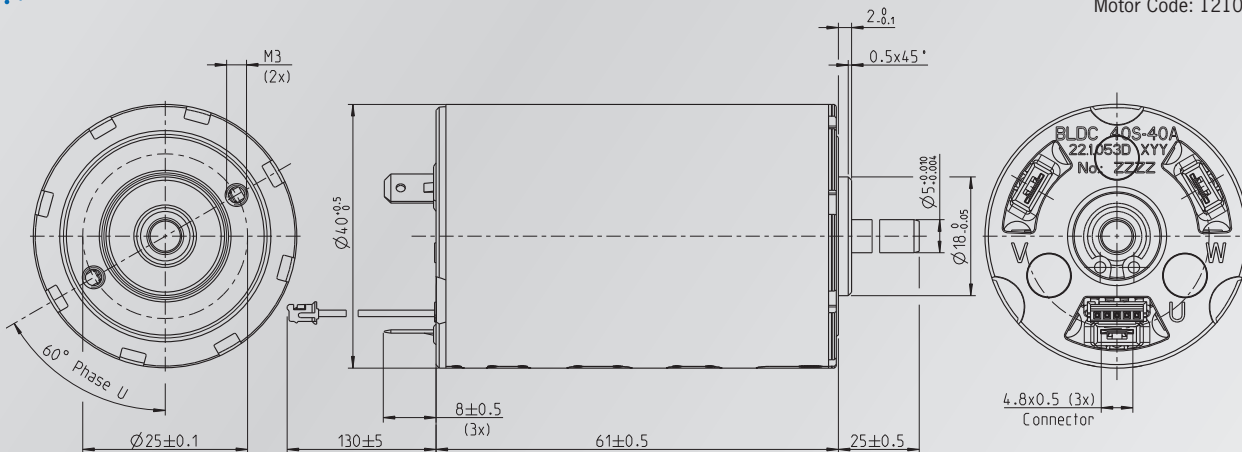
# BLDC 40S40A

22.1.053D

Brushless 3 – Phase DC Motor

Rated Voltage	No Load Speed	Rated Speed	Cont. Power	Rated Torque	Current at rated Speed	Efficiency at Duty Point
[ V ]	[ rpm ]	[ rpm ]	[ W ]	[ mNm ]	[ A ]	[ % ]
24	2.880	2.550	48	180	2,5	81

Motor Code: 121088800039



## General informations

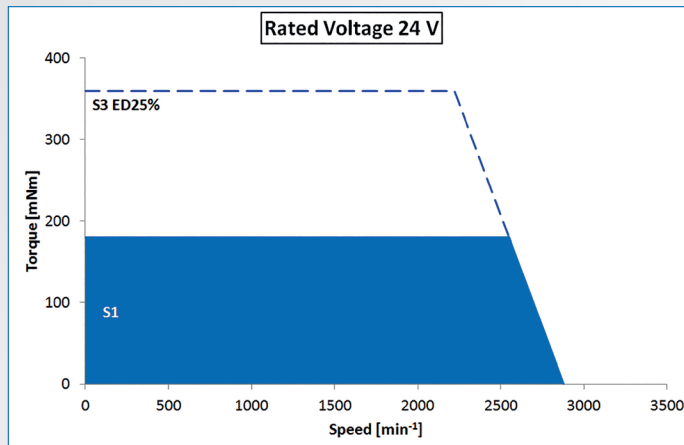
- **Class of protection:** IP20
- **Mounting position:** free
- **Duty cycle:** up to 100 %
- **Bearing system:** Ball Bearings
- **Torque Constant:** 76 mNm/A
- **Weight:** 0,365 kg
- **Rotor Inertia:** 62 gcm<sup>2</sup>
- **Oper. Temp. Range:** -20 °C to +45 °C
- **Max. Temp. Rise:** 70 K
- **Direction of Rotation:** CW / CCW
- **Class of Insulation:** H
- **Shaft Material:** Steel, not hardened
- **Number of Poles:** 16

## Options

- **Integrated Drive Electro.:** Yes
- **Planetary Gearbox:** Yes
- **Sensorless Operation:** Yes
- **Shaft hardened (Surface):** Yes

## Features

- High power-to-volume ratio
- High efficiency at duty point
- Extremely reliable



NMB Technologies Corporation  
 A MinebeaMitsumi Group Company  
 39830 Grand River Avenue  
 Novi, MI 48375  
 Tel: 248-919-2250  
 eMail: info@nmbtc.com  
 nmbtc.com

**MinebeaMitsumi**  
 Passion to Create Value through Difference



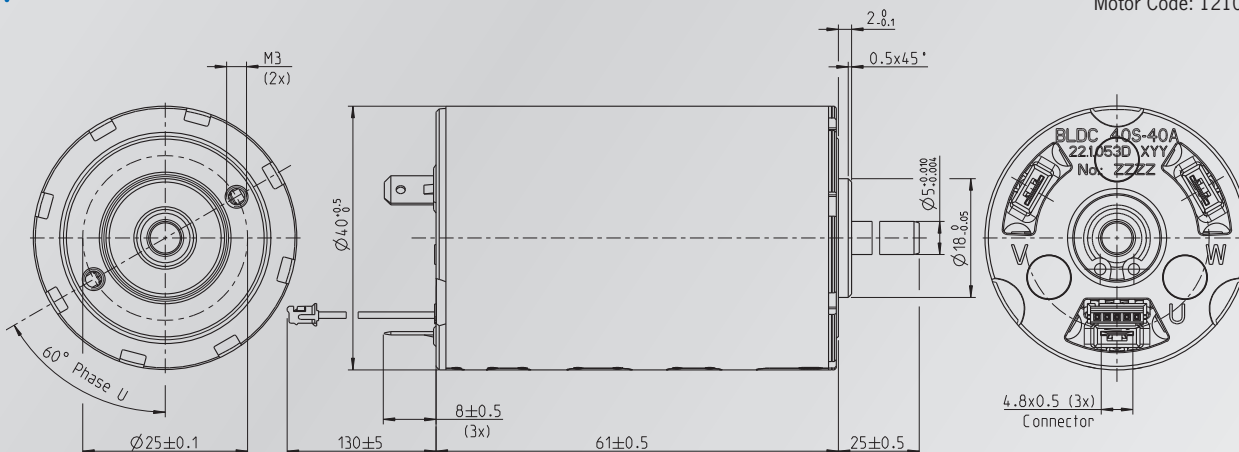
# BLDC 40S40A

27P2.0475

Brushless 3 – Phase DC Motor

Rated Voltage	No Load Speed	Rated Speed	Cont. Power	Rated Torque	Current at rated Speed	Efficiency at Duty Point
[ V ]	[ rpm ]	[ rpm ]	[ W ]	[ mNm ]	[ A ]	[ % ]
24	4.780	4.050	109	256	5,0	86

Motor Code: 121088800072



## General informations

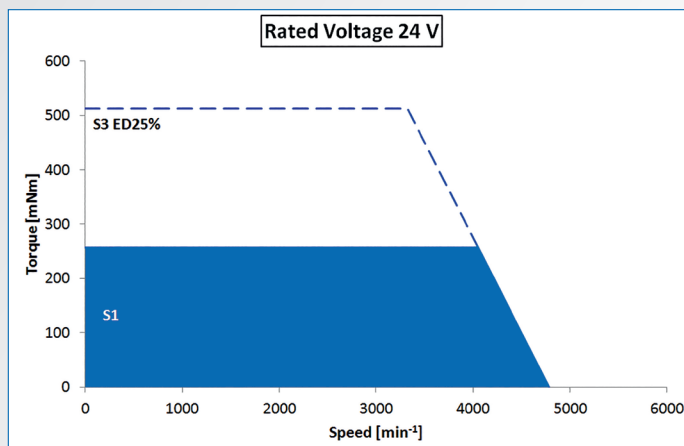
- **Class of protection:** IP20
- **Mounting position:** free
- **Duty cycle:** up to 100 %
- **Bearing system:** Ball Bearings
- **Torque Constant:** 46,7 mNm/A
- **Weight:** 0,365 kg
- **Rotor Inertia:** 62 gcm<sup>2</sup>
- **Oper. Temp. Range:** -20 °C to +45 °C
- **Max. Temp. Rise:** 70 K
- **Direction of Rotation:** CW / CCW
- **Class of Insulation:** H
- **Shaft Material:** Steel, not hardened
- **Number of Poles:** 16

## Options

- **Integrated Drive Electro.:** Yes
- **Planetary Gearbox:** Yes
- **Sensorless Operation:** Yes
- **Shaft hardened (Surface):** Yes

## Features

- High power-to-volume ratio
- High efficiency at duty point
- Extremely reliable



NMB Technologies Corporation  
 A MinebeaMitsumi Group Company  
 39830 Grand River Avenue  
 Novi, MI 48375  
 Tel: 248-919-2250  
 eMail: info@nmbtc.com  
 nmbtc.com

**MinebeaMitsumi**  
 Passion to Create Value through Difference



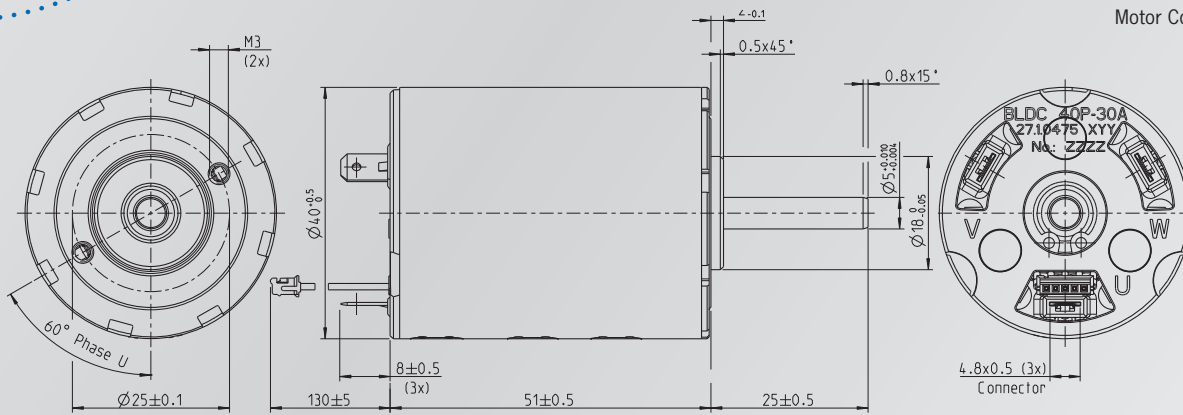
# BLDC 40P30A

27.1.0475

Brushless 3 – Phase DC Motor

Rated Voltage	No Load Speed	Rated Speed	Cont. Power	Rated Torque	Current at rated Speed	Efficiency at Duty Point
[ V ]	[ rpm ]	[ rpm ]	[ W ]	[ mNm ]	[ A ]	[ % ]
24	4.190	3.250	29	86	1,5	76

Motor Code: 121088800075



## General informations

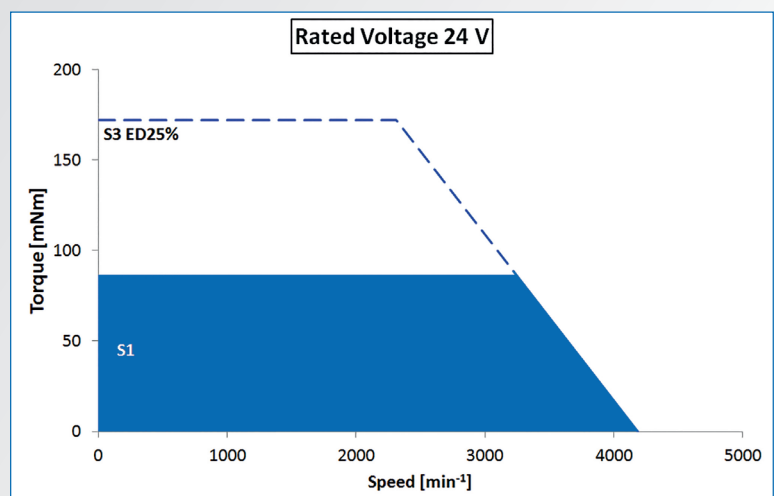
- **Class of protection:** IP20
- **Mounting position:** free
- **Duty cycle:** up to 100 %
- **Bearing system:** Ball Bearings
- **Torque Constant :** 53 mNm/A
- **Weight:** 0,35 kg
- **Rotor Inertia:** 37 gcm<sup>2</sup>
- **Oper. Temp. Range:** -20 °C to +45 °C
- **Max. Temp. Rise:** 70 K
- **Direction of Rotation:** CW / CCW
- **Class of Insulation:** H
- **Shaft Material:** Steel, not hardened
- **Number of Poles:** 8

## Options

- **Integrated Drive Electro.:** Yes
- **Planetary Gearbox:** Yes
- **Sensorless Operation:** Yes
- **Shaft hardened (Surface):** Yes

## Features

- High power-to-volume ratio
- High efficiency at duty point
- Extremely reliable



NMB Technologies Corporation  
 A MinebeaMitsumi Group Company  
 39830 Grand River Avenue  
 Novi, MI 48375  
 Tel: 248-919-2250  
 eMail: info@nmbtc.com  
 nmbtc.com

**MinebeaMitsumi**  
 Passion to Create Value through Difference