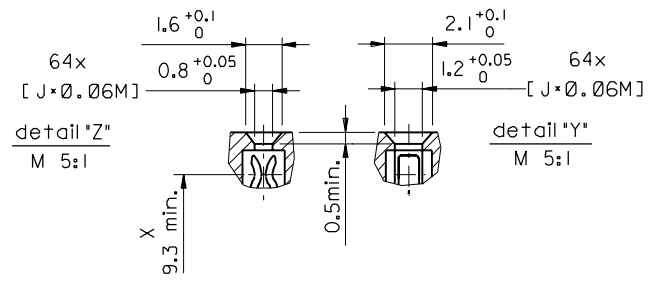
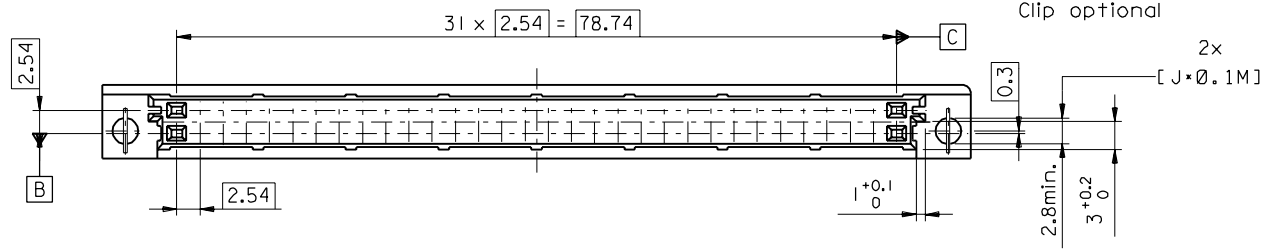
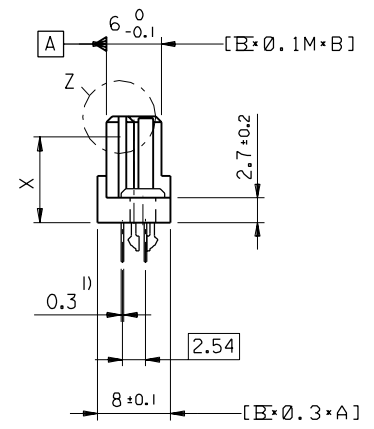
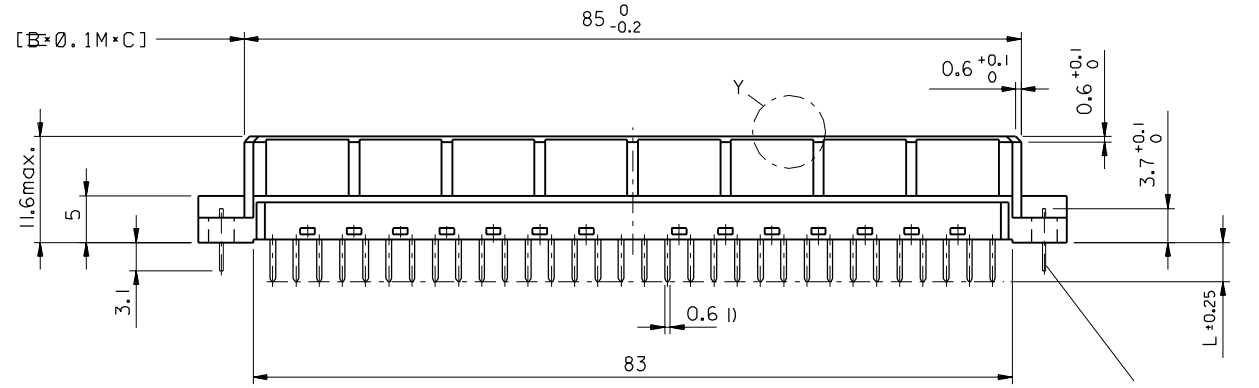


1) tails to fit in PC-board layout



ECN MG1998-2727 new fixing clip 98-04-14 Co	REVISIONS	3 PLACE ±	±
		2 PLACE ±	±
LTR	FOR PREVIOUS REVISIONS SEE MRI LIST	1 PLACE ±	±
		DRAFT WHERE APPLICABLE MUST REMAIN WITHIN DIMENSIONS	
C	LTR	DESIGN DIMENSION	<input checked="" type="checkbox"/> MM <input type="checkbox"/> IN.
		EQUIVALENT DIMENSION	<input type="checkbox"/> MM <input type="checkbox"/> IN.
		IF TWO DIMENSIONS ARE SHOWN THE UPPER IS THE DESIGN DIMENSION, LOWER IS SECONDARY	

FIRST ANGLE PROJECTION		REVISE ONLY ON CAD SYSTEM		SH.	REV.
DRWG BY	SIGN	CAECAM PROJECT NAME	THIS DRAWING CONTAINS INFORMATION THAT IS PROPRIETARY TO MOLEX INC. & SHOULD NOT BE USED WITHOUT WRITTEN PERMISSION		
KN		85040000 611			
CHK'D BY	SIGN	TITLE			
Ca		64 pos. Female connector DIN 41612 style B + clip Dimensions			
APP'D BY	SIGN	MOLEX EUROPE		SHEET NO.	DATE
JB		MOLEX EUROPE		1 OF 1	95/11/14
SCALE	2:1	PART NO.	DWG NO.	SIZE	
		SDA-85040-0001		B	

VIEW ON MATING SIDE

∞	A	A	A	A	A	A	A	A	A	A	A	A	A	A	A	A	A	A	A	A	A	A	A	A	A	A	A	A	A	A	A
◄	A	A	A	A	A	A	A	A	A	A	A	A	A	A	A	A	A	A	A	A	A	A	A	A	A	A	A	A	A	A	A

1 2 3 4 5 6 7 8 9 10 11 12 13 14 15 16 17 18 19 20 21 22 23 24 25 26 27 28 29 30 31 32

A = 32 CONTACTS L-2,9

Marking	Standard
Performance level	G2/0 = Contact area level2 / Termination tin
Flux proof	no
Fixing clip	yes
Dimensions	SDA-85040-0001 sht.1
Technical Data	PS-85042-0001

A	G2/0	α2,4,6...32	b2,4,6...32
Contact symbol	Perform. level	Contact position number	

ECN 2354 first release	REVISIONS		FOR PREVIOUS REVISIONS SEE MRI LIST	
	REVISIONS			
▷	LTR			
UNLESS OTHERWISE SPECIFIED TOLERANCES: ANGULAR ± 2°		DRWG BY	SIGN	
INCH METRIC		KN	KN	
3 PLACE ± .	±	CHK'D BY	SIGN	
2 PLACE ± .	±	Ca	Ca	
1 PLACE ± .	±	APPD BY	JB	
DRAFT WHERE APPLICABLE MUST REMAIN WITHIN DIMENSIONS		SCALE		
DESIGN DIMENSION <input type="checkbox"/> MM <input type="checkbox"/> IN.				
EQUIVALENT DIMENSION <input type="checkbox"/> MM <input type="checkbox"/> IN.				
IF TWO DIMENSIONS ARE SHOWN, THE UPPER IS THE DESIGN DIMENSION, LOWER IS SECONDARY				
REVISE ONLY ON CAD SYSTEM		CAD/CAM PROJECT NAME	SIGN	SH. REV.
		s8504010 s31		
		THIS DRAWING CONTAINS PROPRIETARY TO MOLEX INC. & SHOULD NOT BE USED WITHOUT WRITTEN PERMISSION		
TITLE		64 pos. female connector acc. DIN 41612 style B contacts arrangement		
		SHEET NO.	DATE	
		1 OF 1	96/12/06	
PART NO.		MOLEX EUROPE		
		DWG NO.	SDA-85040-1031	
		85040-1031		