



Is Now Part of



ON Semiconductor®

To learn more about ON Semiconductor, please visit our website at
www.onsemi.com

ON Semiconductor and the ON Semiconductor logo are trademarks of Semiconductor Components Industries, LLC dba ON Semiconductor or its subsidiaries in the United States and/or other countries. ON Semiconductor owns the rights to a number of patents, trademarks, copyrights, trade secrets, and other intellectual property. A listing of ON Semiconductor's product/patent coverage may be accessed at www.onsemi.com/site/pdf/Patent-Marking.pdf. ON Semiconductor reserves the right to make changes without further notice to any products herein. ON Semiconductor makes no warranty, representation or guarantee regarding the suitability of its products for any particular purpose, nor does ON Semiconductor assume any liability arising out of the application or use of any product or circuit, and specifically disclaims any and all liability, including without limitation special, consequential or incidental damages. Buyer is responsible for its products and applications using ON Semiconductor products, including compliance with all laws, regulations and safety requirements or standards, regardless of any support or applications information provided by ON Semiconductor. "Typical" parameters which may be provided in ON Semiconductor data sheets and/or specifications can and do vary in different applications and actual performance may vary over time. All operating parameters, including "Typicals" must be validated for each customer application by customer's technical experts. ON Semiconductor does not convey any license under its patent rights nor the rights of others. ON Semiconductor products are not designed, intended, or authorized for use as a critical component in life support systems or any FDA Class 3 medical devices or medical devices with a same or similar classification in a foreign jurisdiction or any devices intended for implantation in the human body. Should Buyer purchase or use ON Semiconductor products for any such unintended or unauthorized application, Buyer shall indemnify and hold ON Semiconductor and its officers, employees, subsidiaries, affiliates, and distributors harmless against all claims, costs, damages, and expenses, and reasonable attorney fees arising out of, directly or indirectly, any claim of personal injury or death associated with such unintended or unauthorized use, even if such claim alleges that ON Semiconductor was negligent regarding the design or manufacture of the part. ON Semiconductor is an Equal Opportunity/Affirmative Action Employer. This literature is subject to all applicable copyright laws and is not for resale in any manner.



FAN6791 / FAN6793

Highly Integrated, Dual-PWM Combination Controller

Features

- High-Voltage Startup
- Low Operating Current
- Interleaved Stand-by PWM / Forward PWM Switching
- Green Mode Stand-by PWM / Forward PWM
- Linearly Decreasing Stand-by PWM Frequency to 20kHz
- Remote On / Off
- AC Brownout Protection
- Forward PWM with Soft-Start
- Frequency Hopping to Reduce EMI Emissions
- Cycle-by-Cycle Current Limiting for Stand-by PWM / Forward PWM
- Leading-Edge Blanking for Stand-by PWM / Forward PWM
- Synchronized Slope Compensation for Stand-by PWM / Forward PWM
- GATE Output Maximum Voltage Clamp
- V_{DD} Over-Voltage Protection (OVP)
- V_{DD} Under-Voltage Lockout (UVLO)
- Internal Open-Loop Protection for Stand-by PWM / Forward PWM
- Constant Power Limit for Stand-by PWM / Forward PWM

Applications

General-purpose switch-mode power supplies and flyback power converters, including:

- PC-ATX Power Supplies

Description


The highly integrated FAN6791/3 dual PWM combination controller provides several features to enhance the performance of converters.

To minimize standby power consumption, a proprietary green-mode function provides off-time modulation to linearly decrease the switching frequency at light-load conditions. To avoid acoustic-noise problems, the minimum PWM frequency is set above 20kHz. This green-mode function enables the power supply to meet international power conservation requirements. With the internal high-voltage startup circuitry, the power loss due to bleeding resistors is also eliminated. To further reduce power consumption, FAN6791/3 is manufactured using the CMOS process, which allows an operating current of only 6mA.

FAN6791/3 integrates a frequency-jittering function internally to reduce EMI emissions of a power supply with minimum line filters. The built-in synchronized slope compensation achieves stable peak-current-mode control. The proprietary internal line compensation ensures constant output power limit.

FAN6791/3 provides many protection functions, including brownout protection, cycle-by-cycle current limiting, and an internal open-loop protection circuit to ensure safety should an open-loop or output short-circuit failure occur. PWM output is disabled until V_{DD} drops below the UVLO lower limit when the controller restarts. As long as V_{DD} exceeds ~24.5V, the internal OVP circuit is triggered.

Ordering Information

| Part Number | OPWM Maximum Duty | Operating Temperature Range |  Eco Status | Package | Packing Method |
|-------------|-------------------|-----------------------------|--|--|----------------|
| FAN6791NY | 48% | -40°C to +105°C | Green | 16-Pin Dual In-Line Package (DIP) | Tube |
| FAN6793NY | 65% | -40°C to +105°C | Green | 16-Pin Dual In-Line Package (DIP)) | Tube |
| FAN6791MY | 48% | -40°C to +105°C | Green | 16-Pin Small Outline Integrated Circuit Package (SOIC) | Tape & Reel |
| FAN6793MY | 65% | -40°C to +105°C | Green | 16-Pin Small Outline Integrated Circuit Package (SOIC) | Tape & Reel |

 For Fairchild's definition of Eco Status, please visit: http://www.fairchildsemi.com/company/green/rohs_green.html.

Application Diagram

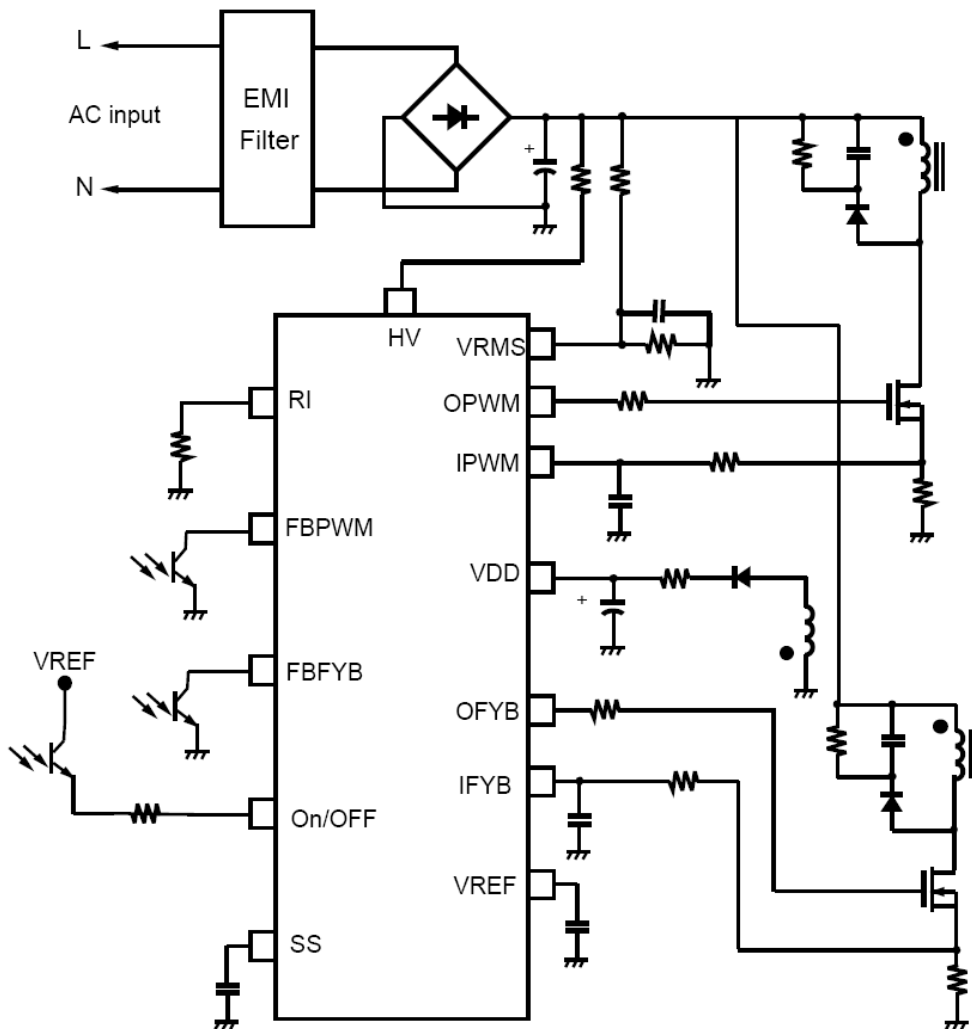


Figure 1. Typical Application

Block Diagram

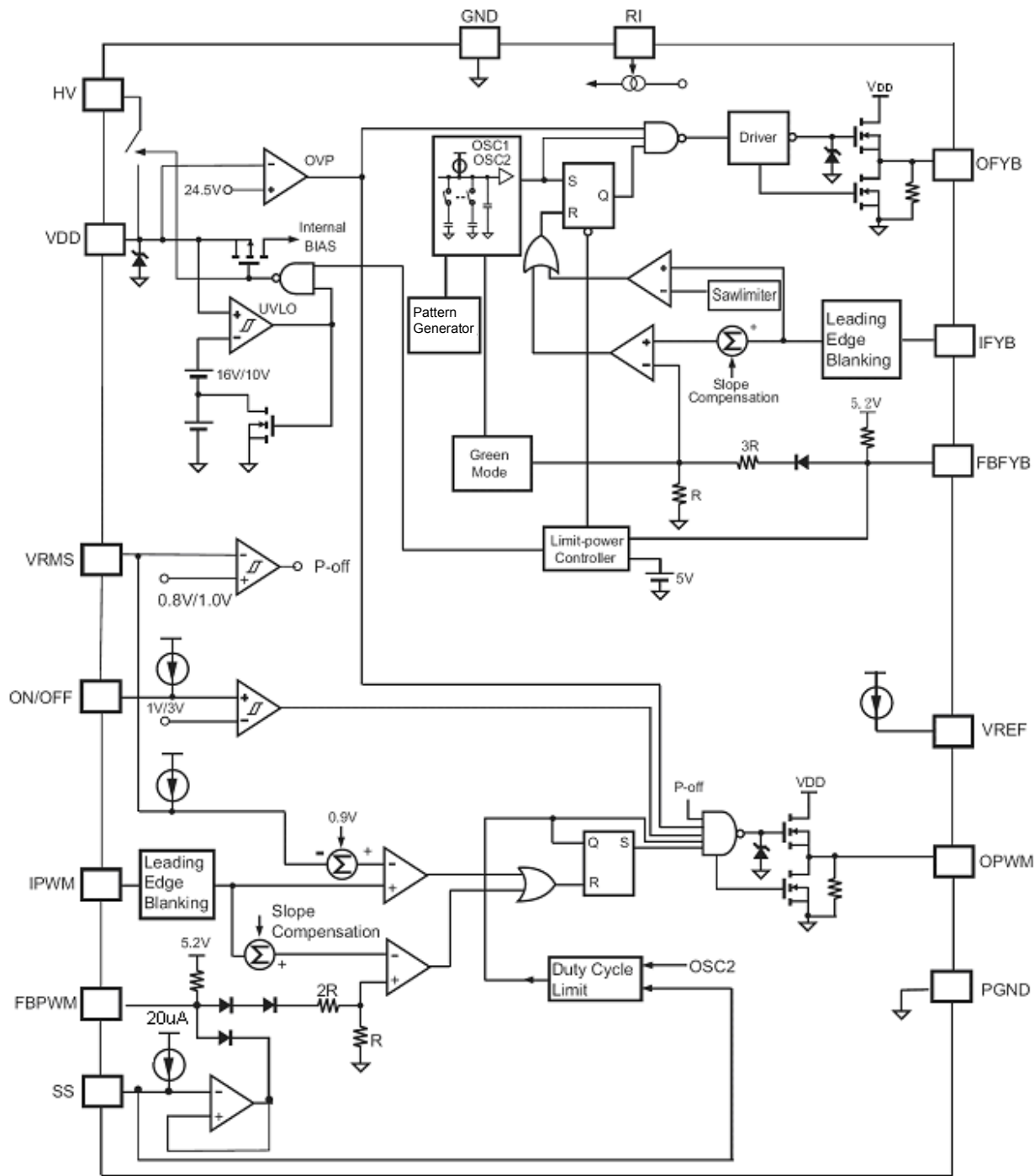


Figure 2. Function Block Diagram

Marking Information

SOIC



F – Fairchild Logo
Z – Plant Code
X – 1-Digit Year Code
Y – 1-Digit Week Code
TT – 2-Digit Die Run Code
T – Package Type (M:SOIC)
P – Y: Green Package
M – Manufacture Flow Code

DIP



F – Fairchild Logo
Z – Plant Code
X – 1-Digit year Code
YY – 2-Digit Week Code
TT – 2-Digit Die Run Code
T – Package Type (N:DIP)
P – Y: Green Package
M – Manufacture Flow Code

Figure 3. Top Mark

Pin Configuration

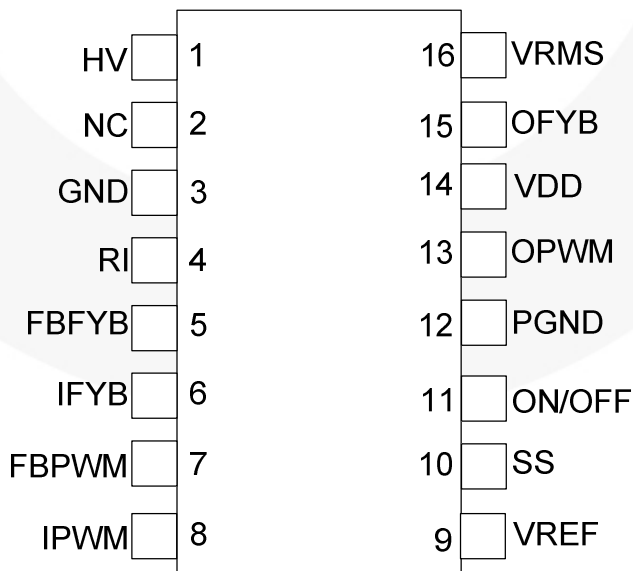


Figure 4. Pin Configuration (Top View)

Pin Definitions

| Pin # | Name | Description |
|-------|--------|--|
| 1 | HV | For startup, this pin is pulled HIGH to the line input or bulk capacitor via resistors. |
| 2 | NC | No connection. |
| 3 | GND | Ground. |
| 4 | RI | Oscillator Setting. One resistor connected between RI and ground pins determines the switching frequency (resistance between 12 ~ 47k Ω is recommended). The switching frequency is equal to $[1560 / RI]kHz$, where RI is in k Ω . For example, if RI is equal to 24k Ω , then the switching frequency is 65kHz. |
| 5 | FBFYB | Voltage Feedback for Flyback PWM Stage. It is internally pulled HIGH through a 6.5k Ω resistor. An external opto-coupler from secondary feedback circuit is usually connected to this pin. |
| 6 | IFYB | PWM Current Sense for Flyback PWM Stage. The sensed voltage is used for peak-current-mode control and cycle-by-cycle current limiting. |
| 7 | FBPWM | Voltage Feedback for Forward PWM Stage. It is internally pulled HIGH through a 6.5k Ω resistor. An external opto-coupler from secondary feedback circuit is usually connected to this pin. |
| 8 | IPWM | PWM Current Sense for Forward PWM Stage. Via a current sense resistor, this pin provides the control input for peak-current-mode control and cycle-by-cycle current limiting. |
| 9 | VREF | Reference Voltage. This pin can provide a reference voltage 5V. |
| 10 | SS | PWM Soft-Start. During startup, the SS pin charges an external capacitor with a 20 μA constant current source. The voltage on FBPWM is clamped by SS during startup. In the event of a protection condition occurring and/or forward PWM being disabled, the SS pin quickly discharges. |
| 11 | ON/OFF | PWM Remote ON/OFF. Active HIGH. The forward PWM is disabled whenever the voltage at this pin is lower than 0.8V or the pin is open. |
| 12 | PGND | Ground. The power ground. |
| 13 | OPWM | Forward PWM Gate Drive. The totem-pole output drive for the forward PWM MOSFET. This pin is internally clamped under 16V to protect the MOSFET. |
| 14 | VDD | Power Supply. The internal protection circuit disables PWM output as long as V_{DD} exceeds the OVP trigger point. |
| 15 | OFYB | Flyback PWM Gate Drive. The totem-pole output drive for the forward PWM MOSFET. This pin is internally clamped under 16V to protect the MOSFET. |
| 16 | VRMS | Line-Voltage Detection. The pin is used for line compensation, for forward, and brownout protection. |

Absolute Maximum Ratings

Stresses exceeding the absolute maximum ratings may damage the device. The device may not function or be operable above the recommended operating conditions and stressing the parts to these levels is not recommended. In addition, extended exposure to stresses above the recommended operating conditions may affect device reliability. The absolute maximum ratings are stress ratings only. All voltage values, except differential voltage, are given with respect to GND pin. Stresses beyond those listed under “absolute maximum ratings” may cause permanent damage to the device.

| Symbol | Parameter | | Min. | Max. | Unit |
|-------------------|---|---|------|------|------|
| V _{DD} | DC Supply Voltage | | | 27 | V |
| V _{HV} | Input Voltage to HV Pin | | | 500 | V |
| V _{HIGH} | OPWM, OFYB, ON/OFF | | -0.3 | 27.0 | V |
| V _{LOW} | Others | | -0.3 | 7.0 | V |
| P _D | Power Dissipation (T _A < 50°C) | | | 800 | °C/W |
| T _J | Operating Junction Temperature | | -40 | +125 | °C |
| T _{STG} | Storage Temperature Range | | -55 | +150 | °C |
| R _{θj-a} | Thermal Resistance (Junction-to-Case) | | DIP | 82.5 | °C/W |
| | | | SOIC | 70.0 | |
| T _L | Lead Temperature (Wave Soldering, 10 Seconds) | | | +260 | °C |
| ESD | Electrostatic Discharge Capability | Human Body Model, JEDEC:JESD22-A114 (All Pins Except HV Pin) | | 3.5 | kV |
| | | Charged Device Model, JEDEC:JESD22-C101 (All Pins Except HV Pin) | | 1.5 | |

Recommended Operating Conditions

The Recommended Operating Conditions table defines the conditions for actual device operation. Recommended operating conditions are specified to ensure optimal performance to the datasheet specifications. Fairchild does not recommend exceeding them or designing to Absolute Maximum Ratings.

| Symbol | Parameter | Min. | Max. | Unit |
|----------------|-------------------------------|------|------|------|
| T _A | Operating Ambient Temperature | -40 | +105 | °C |

Electrical Characteristics

$V_{DD}=18V$; $R_I=24k\Omega$; $T_A=25^\circ C$, unless noted.

| Symbol | Parameter | Conditions | Min. | Typ. | Max. | Units |
|---|---|---|--------------------------|--------------------------|--------------------------|------------|
| V_{DD} Section | | | | | | |
| V_{DD-OP} | Continuously Operating Voltage | | | | 22 | V |
| I_{DD-ST} | Startup Current | $V_{DD} - 0.16V$ | | 10 | 50 | μA |
| I_{DD-OP1} | Operating Current 1 | $V_{DD}=15V$; GATE Open | | 6 | 10 | mA |
| I_{DD-OP2} | Operating Current 2 | $V_{DD}=15V$; GATE Open, $I_{REF}=10mA$ | | 16 | 20 | mA |
| V_{TH-ON} | Start Threshold Voltage | | 15 | 16 | 17 | V |
| V_{TH-OFF} | Minimum Operating Voltage | | 9 | 10 | 11 | V |
| V_{TH-OLP} | I_{DD-OLP} Off Voltage | | 6.5 | 7.5 | 8.0 | V |
| I_{TH-OLP} | Internal Sink Current | $V_{TH-OLP} + 0.1V$ | 70 | 80 | 100 | μA |
| V_{DD-OVP} | V_{DD} Over-Voltage Protection (Turn Off PWM with Delay) | | 23.4 | 24.5 | 25.5 | V |
| t_{OVP} | V_{DD} Over-Voltage Protection Debounce | $V_{DD-OVP}=26V$ | 80 | 100 | 120 | μs |
| HV | | | | | | |
| I_D | Maximum Input Current | $V_{AC}=90V(V_{DC}=120V)$, $V_{DD}=10\mu F$ | 1.5 | 2.5 | 3.5 | mA |
| I_{HV-CS} | Internal Current Source | $HV=500V$, $V_{DD}=15V$ | | 10 | 50 | μA |
| Oscillator and Green-Mode Operation | | | | | | |
| V_{RI} | RI Voltage | | 1.176 | 1.200 | 1.224 | V |
| f_{OSC} | Normal PWM Frequency | Center Frequency, $R_I=24k\Omega$ | 62 | 65 | 68 | kHz |
| | | Jitter Range | ± 3.7 | ± 4.2 | ± 4.7 | |
| $f_{OSC-G-MIN}$ | Minimum Frequency in Green Mode | $R_I=24k\Omega$ | 18 | 20 | 22 | kHz |
| RI | RI Range | | 12 | 24 | 47 | k Ω |
| R_{IOPEN} | RI Pin Open Protection | If $R_I > R_{IOPEN}$, PWM Turned Off | 1 | | | M Ω |
| R_{ISHORT} | RI Pin Short Protection | If $R_I > R_{ISHORT}$, PWM Turned Off | | | 6 | k Ω |
| V_{RMS} for AC Brownout Protection | | | | | | |
| $V_{RMS-OFF}$ | Off Threshold Voltage for AC Brownout Protection | | 0.75 | 0.80 | 0.85 | V |
| V_{RMS-ON} | Start Threshold Voltage for AC Brownout Protection | | $V_{RMS-UVP-1}$ +0.17 | $V_{RMS-UVP-1}$ +0.19 | $V_{RMS-UVP-1}$ +0.21 | V |
| t_{RMS} | AC Brownout Protection Debounce Time | $R_I=24k\Omega$ | 150 | 195 | 240 | ms |
| V_{REF} | | | | | | |
| V_{REF} | Reference voltage | $I_{REF}=1mA$, $C_{REF}=0.1\mu F$ | 4.75 | 5.00 | 5.25 | V |
| ΔV_{REF1} | Load Regulation of Reference Voltage | $C_{REF}=0.1\mu F$, $I_{REF}=1mA$ to 10mA | | | 80 | mV |
| ΔV_{REF2} | Line Regulation of Reference Voltage | $C_{REF}=0.1\mu F$, $V_{DD}=12V$ to 22V | | | 25 | mV |
| I_{REF_MAX} | Maximum Current | | 10 | | 15 | mA |
| I_{OS} | V_{REF} Short Current | $V_{DD}=15V$ | 15 | 20 | 25 | mA |

Electrical Characteristics

$V_{DD}=18V$; $R_i=24k\Omega$; $T_A=25^\circ C$, unless noted.

| Symbol | Parameter | Conditions | Min. | Typ. | Max. | Units |
|--|--|-------------------------------------|--------|------------------|--------|------------|
| ON/OFF | | | | | | |
| $R_{ON/OFF}$ | Impedance ON/OFF Pin | | 50 | | 100 | k Ω |
| V_{ON} | High Threshold Level of Synchronizing Signal | | 2.4 | 3.0 | 3.6 | V |
| V_{OFF} | Low Threshold Level of Synchronizing Signal | | 0.8 | 1.0 | 1.2 | V |
| Over Temperature Protection (OTP) | | | | | | |
| T_{Off} | Protection Junction Temperature ⁽¹⁾ | | 130 | 140 | +150 | $^\circ C$ |
| $T_{Restart}$ | Restart Junction Temperature ⁽²⁾ | | 100 | 110 | +120 | $^\circ C$ |
| Flyback PWM Stage | | | | | | |
| FBFVB Feedback Input | | | | | | |
| A_{V-FLY} | FB Input to Current Comparator Attenuation | | 1/3.75 | 1/3.20 | 1/2.75 | V/V |
| Z_{FB} | Input Impedance | | 4 | 5 | 7 | k Ω |
| V_{HGH} | Output High Voltage | FB Pin Open | 5.0 | 5.2 | | V |
| V_{FB-OLP} | FB Open-Loop Trigger Level | | 4.2 | 4.5 | 4.8 | V |
| t_{OLP} | FB Open-Loop Protection Delay | | 53 | 56 | 59 | ms |
| V_N | Green Mode Entry FB Voltage | | 2.4 | 2.5 | 2.6 | V |
| S_G | Slope of Green-Mode Modulation | | 60 | 75 | 90 | Hz/mV |
| V_G | Green Mode Ending FB Voltage | | 1.8 | 1.9 | 2.0 | V |
| $V_{OZ-OFVB}$ | V_{FBPWM} for Zero Duty Cycle(Forward Turn On) | | 1.2 | 1.3 | 1.4 | V |
| IFVB Current Sense | | | | | | |
| Z_{CS} | Input Impedance | | | 12 | | k Ω |
| V_{LIMIT1} | Peak Current Limit Threshold Voltage 1 | $V_{RMS}=1V$ | 0.75 | 0.80 | 0.85 | V |
| V_{LIMIT2} | Peak Current Limit Threshold Voltage 2 | $V_{RMS}=1.5V$ | | $V_{LIMIT1}-0.1$ | | V |
| t_{PD} | Propagation Delay to GATE Output | $V_{DD}=15V$, OFVB Drops to 9V | 60 | | 120 | ns |
| t_{BNK} | Leading-Edge Blanking Time | | 200 | 270 | 350 | ns |
| ΔV_{SLOPE} | Slope Compensation | Duty=DCY _{MAX} | 0.34 | 0.37 | 0.41 | V |
| V_{S-SCP} | Threshold Voltage for SENSE Short-Circuit Protection | | 0.1 | 0.15 | 0.2 | V |
| t_{D-SSCP} | Delay Time for SENSE Short-Circuit Protection | $V_{SENSE}<0.15V$, $R_i=24K\Omega$ | 100 | 180 | 240 | μs |
| OFVB-GATE Driver | | | | | | |
| $V_{OFVB-CLAMP}$ | Flyback PWM Gate Output Clamping Voltage | $V_{DD}=22V$ | | 16 | 18 | V |
| $V_{OL-OFVB}$ | Output Voltage Low | $V_{DD}=15V$; $I_o=20mA$ | | | 1.5 | V |
| $V_{OH-OFVB}$ | Output Voltage High | $V_{DD}=12V$; $I_o=20mA$ | 8 | | | V |
| t_{R-OFVB} | Rising Time | $V_{DD}=15V$; Gate=1nF; Gate=2~9V | 30 | 60 | 120 | ns |
| t_{F-OFVB} | Falling Time | $V_{DD}=15V$; Gate=1nF; Gate=9~2V | 30 | 50 | 90 | ns |

Electrical Characteristics

$V_{DD}=18V$; $R_I=24k\Omega$; $T_A=25^\circ C$, unless noted.

| Symbol | Parameter | Conditions | Min. | Typ. | Max. | Units |
|-----------------------------|---|--|-------|------------------|-------|------------|
| DCY _{MAX-OFYB} | Maximum Duty Cycle | | 60 | 65 | 70 | % |
| Forward PWM Stage | | | | | | |
| FBPWM-Feedback Input | | | | | | |
| A_V | FB to Current Comparator Attenuation | | 1/3.2 | 1/2.7 | 1/2.2 | V/V |
| Z_{FB} | Input Impedance | | 4 | 5 | 7 | k Ω |
| V_{HGH} | Output High Voltage | FB Pin Open | 5.0 | 5.2 | | V |
| $V_{OPEN-PWM}$ | PWM Open-Loop Protection Voltage | | 4.2 | 4.5 | 4.8 | V |
| $t_{OPEN-PWM-HICCUP}$ | Interval of PWM Open-Loop Protection Reset | $R_I=24k\Omega$ | 500 | 600 | 700 | ms |
| $t_{OPEN-PWM}$ | PWM Open-Loop Protection Delay Time | $R_I=24k\Omega$ | 80 | 95 | 120 | ms |
| $V_{OZ-OPWM}$ | V_{FBPWM} for Zero Duty Cycle | | 1.2 | 1.3 | 1.4 | V |
| IPWM-Current Sense | | | | | | |
| t_{PD} | Propagation Delay to Output – V_{LIMIT} Loop | $V_{DD}=15V$, OPWM Drops to 9V | 60 | | 120 | ns |
| V_{LIMIT1} | Peak Current Limit Threshold Voltage 1 | $V_{RMS}=1V$ | 0.75 | 0.80 | 0.85 | V |
| V_{LIMIT2} | Peak Current Limit Threshold Voltage 2 | $V_{RMS}=1.5V$ | | $V_{LIMIT1}-0.1$ | | V |
| t_{BNK} | Leading-Edge Blanking Time | | 270 | 350 | 450 | ns |
| ΔV_{SLOPE} | Slope Compensation $\Delta V_s = \Delta V_{SLOPE} \times (t_{on}/t)$ ΔV_s : Compensation Voltage Added to Current Sense | | 0.40 | 0.45 | 0.55 | V |
| OPWM-GATE Driver | | | | | | |
| $V_{OPWM-CLAMP}$ | Output Voltage Maximum (Clamp) | $V_{DD}=22V$ | | 16 | 18 | V |
| V_{OL} | Output Voltage Low | $V_{DD}=15V$; $I_O=100mA$ | | | 1.5 | V |
| V_{OH} | Output Voltage High | $V_{DD}=13V$; $I_O=100mA$ | 8 | | | V |
| t_R | Rising Time | $V_{DD}=15V$; $C_L=5nF$; O/P=2V to 9V | 30 | 60 | 120 | ns |
| t_F | Falling Time | $V_{DD}=15V$; $C_L=5nF$; O/P=9V to 2V | 30 | 50 | 110 | ns |
| DCY _{MAX-OPWM} | FAN6791 Maximum Duty Cycle | $R_I=24k\Omega$ | 47 | 48 | 49 | % |
| | FAN6793 Maximum Duty Cycle | | 60 | 65 | 70 | |
| Soft Start | | | | | | |
| I_{SS} | Constant Current Output for Soft-Start | $R_I=24k\Omega$ | 17 | 20 | 23 | μA |
| R_D | Discharge Resistance | | | 470 | 564 | Ω |

Notes:

- When activated, the output is disabled and the latch is turned off.
- This is the threshold temperature for enabling the output again and resetting the latch after over-temperature protection has been activated.

Typical Characteristics

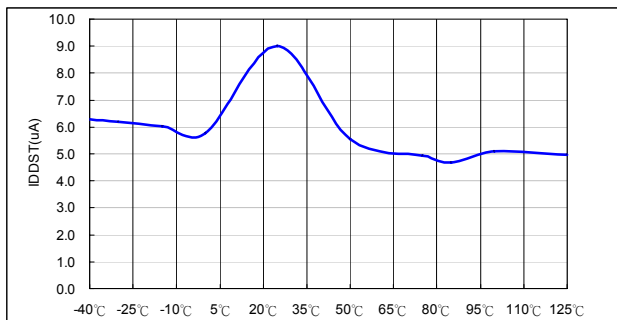


Figure 5. Startup Current I_{DD-ST} vs. Temperature

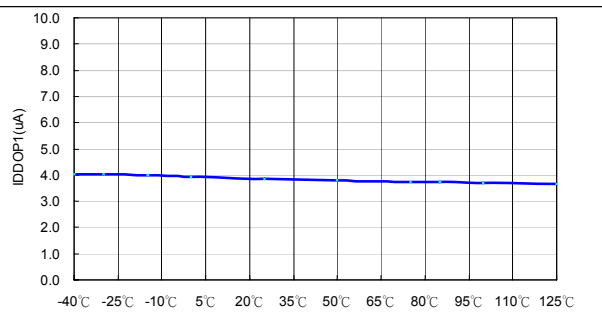


Figure 6. I_{DD-OP1} vs. Temperature

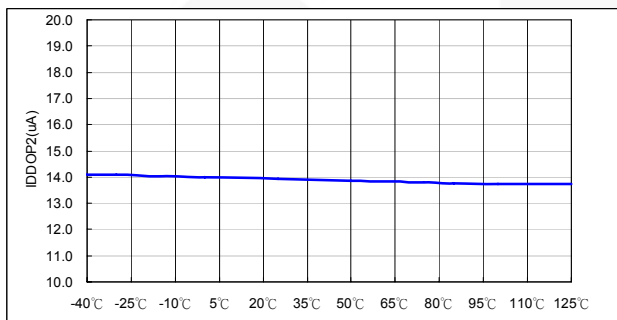


Figure 7. I_{DD-OP2} vs. Temperature

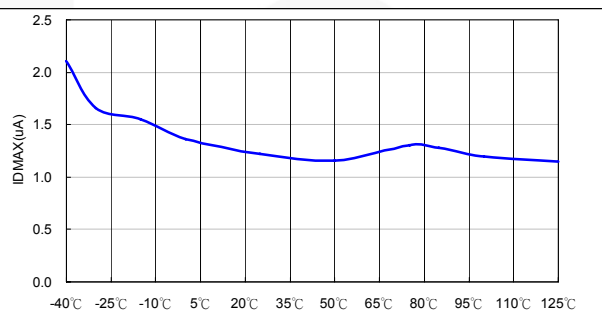


Figure 8. I_{D-MAX} vs. Temperature

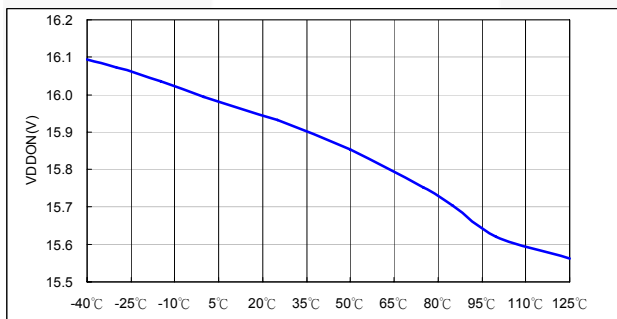


Figure 9. V_{DD-ON} vs. Temperature

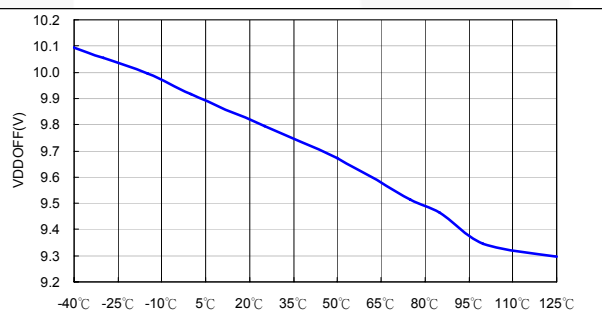


Figure 10. V_{DD-OFF} vs. Temperature

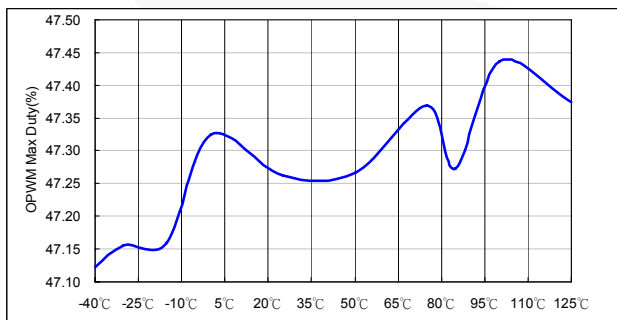


Figure 11. OPWM Maximum Duty Cycle vs. Temperature

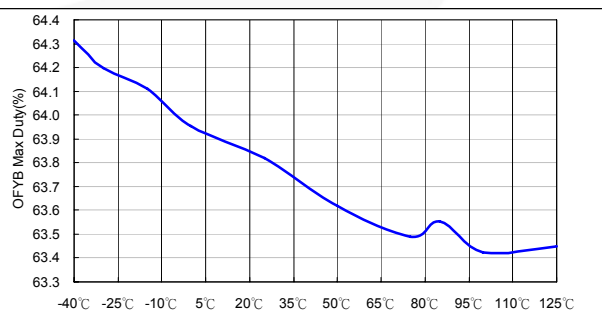


Figure 12. OFYB Maximum Duty Cycle vs. Temperature

Typical Characteristics

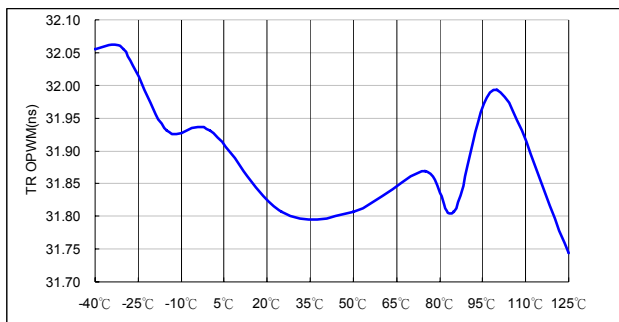


Figure 13. Rising Time t_{R-OPWM} vs. Temperature

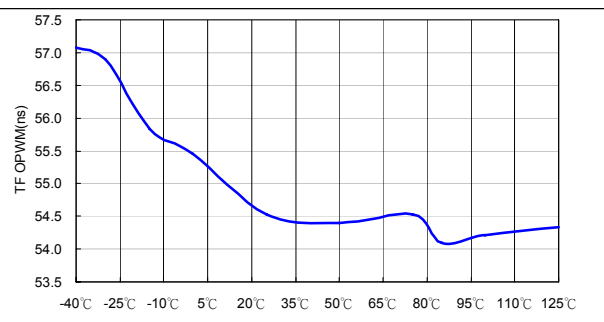


Figure 14. Falling Time t_{F-OPWM} vs. Temperature

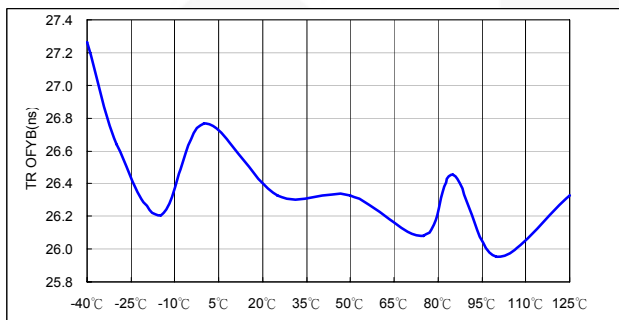


Figure 15. Rising Time t_{R-OFYB} vs. Temperature

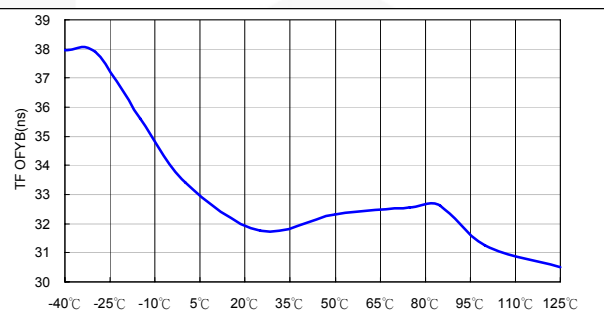


Figure 16. Falling Time t_{F-OFYB} vs. Temperature

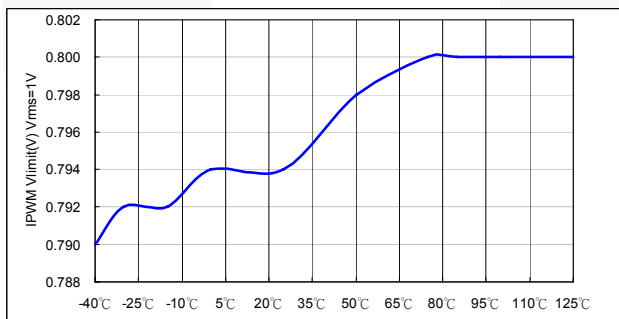


Figure 17. $I_{PWM-VLIMIT}$ ($V_{RMS}=1V$) vs. Temperature

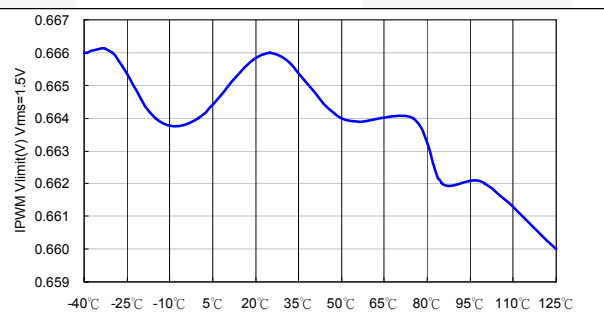


Figure 18. $I_{PWM-VLIMIT}$ ($V_{RMS}=1.5V$) vs. Temperature

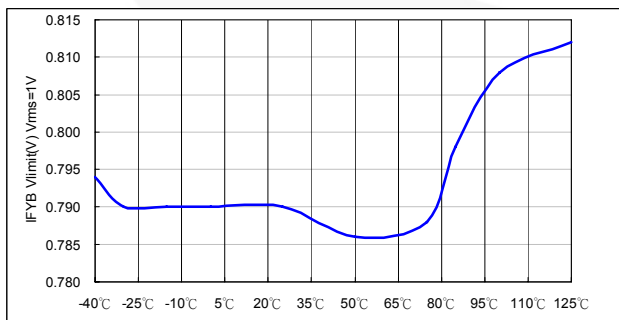


Figure 19. $I_{FYB-VLIMIT}$ ($V_{RMS}=1V$) vs. Temperature

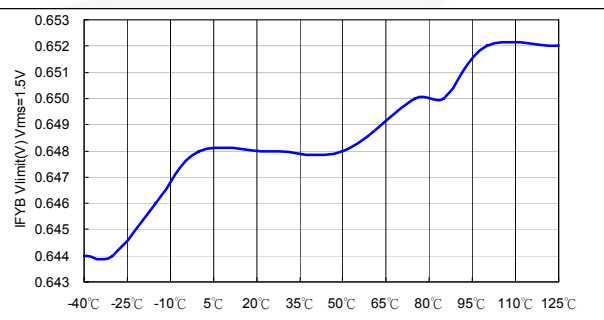


Figure 20. $I_{FYB-VLIMIT}$ ($V_{RMS}=1.5V$) vs. Temperature

Typical Characteristics

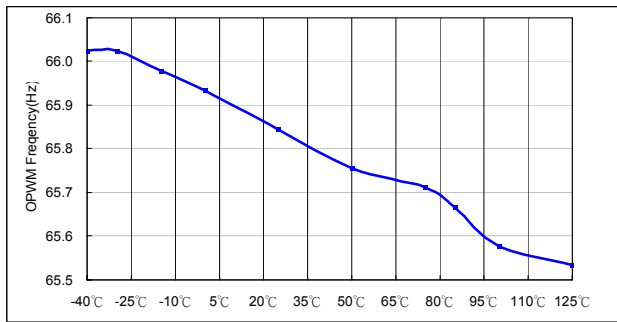


Figure 21. OPWM Frequency vs. Temperature

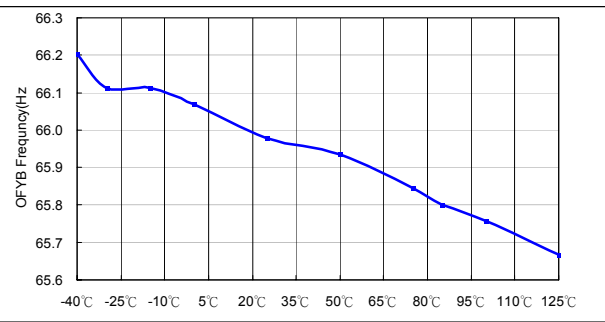


Figure 22. OFYB Frequency vs. Temperature

Functional Description

The highly integrated FAN6791/3 dual-PWM combination controller provides several features to enhance the performance of converters.

Proprietary interleave switching synchronizes the flyback and forward PWM stages. This reduces switching noise.

The proprietary frequency jittering function for the flyback and forward PWM stages helps reduce switching EMI emissions.

For the flyback and forward PWM, the synchronized slope compensation ensures the stability of the current loop under continuous-mode operation. In addition, FAN6791/3 provides complete protection functions, such as brownout protection and RI open/short.

Startup Current

For startup, the HV pin is connected to the line input or bulk capacitor through external resistor R_{HV} , recommended as 100k Ω . Typical startup current drawn from pin HV is 2mA and it charges the hold-up capacitor through the resistor R_{HV} . When the V_{DD} capacitor level reaches V_{DD-ON} , the startup current switches off. At this moment, the V_{DD} capacitor only supplies the FAN6791/3 to maintain the V_{DD} before the auxiliary winding of the main transformer provides the operating current.

Oscillator Operation

A resistor connected from the RI pin to the GND pin generates a constant current source for the FAN6791/3 controller. This current is used to determine the center PWM frequency. Increasing the resistance reduces PWM frequency. Using a 24k Ω resistor results in a corresponding 65kHz PWM frequency. The switching frequency is programmed by the resistor R_I connected between RI pin and GND. The relationship is:

$$f_{PWM} = \frac{1560}{R_I(k\Omega)} \text{ (kHz)} \quad (1)$$

The range of the PWM oscillation frequency is designed as 33kHz ~ 130kHz. FAN6791/3 integrates frequency hopping function internally. The frequency variation ranges from around 61kHz to 69kHz for a center frequency 65kHz. The frequency hopping function helps reduce EMI emission of a power supply with minimum line filters.

For power saving, flyback PWM stage has a green mode function. Frequency linearly decreases when V_{FB} is within V_G and V_N . Once V_{FB} is lower than V_G , switching frequency disables, and it enters burst mode.

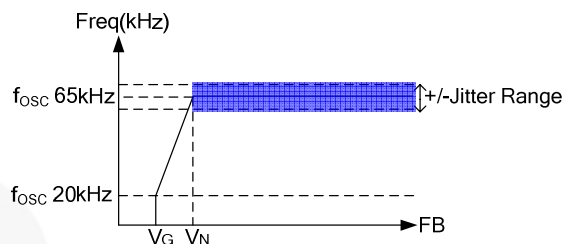


Figure 23. Oscillation Frequency in Green Mode

Line Voltage Detection (V_{RMS})

Figure 24 shows a resistive divider with low-pass filtering for line-voltage detection on V_{RMS} pin. The V_{RMS} voltage is used for high/low line compensation that keeps the constant power limit and provides brownout protection. For brownout protection, when the V_{RMS} voltage drops below 0.8V, OPWM turns off.

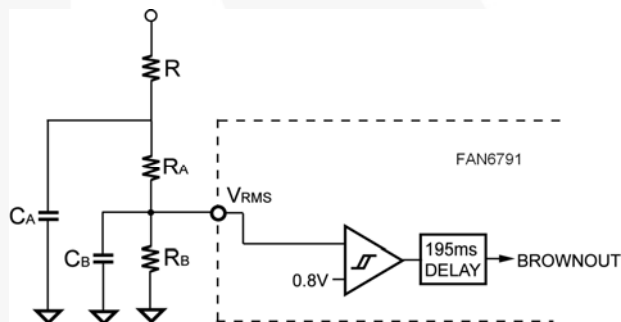


Figure 24. Line-Voltage Detection on V_{RMS} Pin

Remote On/Off

Figure 25 shows the remote on / off function. When the supervisor FPO pin pulls down and enables the system by connecting an opto-coupler, V_{REF} applies to the ON/OFF pin to enable forward PWM stage.

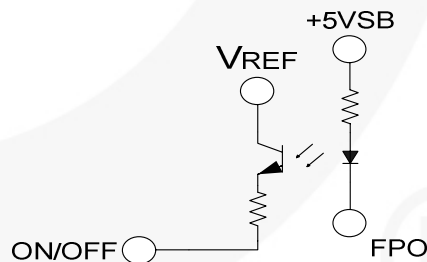


Figure 25. Remote On/Off

Interleave Switching

The FAN6791/3 uses interleaved switching to synchronize the stand-by PWM / forward PWM stages. This reduces switching noise and spreads the EMI emissions. Figure 26 shows that an off-time t_{OFF} is inserted in between the turn-off of the stand-by gate drives and the turn-on of the forward PWM.

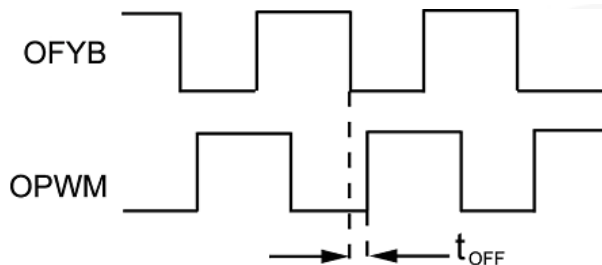


Figure 26. Interleaved Switching

Slope Compensation

The stand-by PWM and forward PWM stage are designed for flyback and forward power converters. Peak-current-mode control is used to optimize system performance. Slope compensation is added to stabilize the current loop. The FAN6791/3 inserts a synchronized, positively sloped ramp at each switching cycle. The positively sloped ramp is represented by the voltage signal V_{s-comp} in Figure 27.

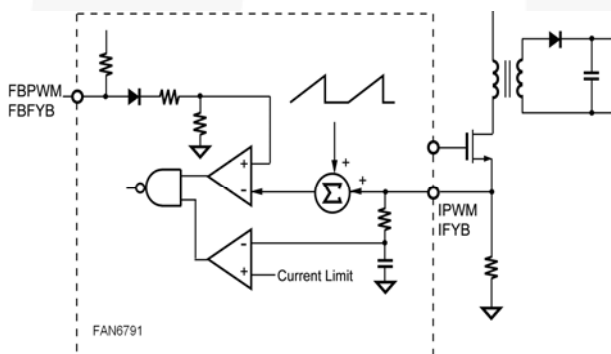


Figure 27. Slope Compensation

Gate Drivers

FAN6791/3 output stages are fast totem-pole gate drivers. The output driver is clamped by an internal 18V Zener diode to protect the power MOSFET.

Constant Power Control

To limit the output power of the converter constantly, a power-limit function is included. Sensing the converter input voltage through the VRMS pin, the power limit function generates a relative peak-current-limit threshold voltage for constant power control, as shown in Figure 28.

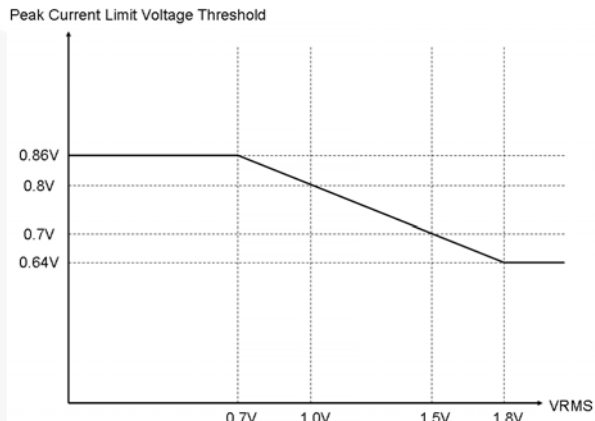


Figure 28. Constant Power Control

Protections

The FAN6791/3 provides full protection functions to prevent the power supply and the load from being damaged. The protection features include:

V_{DD} Over-Voltage Protection. The stand-by PWM and forward PWM stages will be disabled whenever the V_{DD} voltage exceeds the over-voltage threshold.

AC Under-Voltage Protection. The VRMS pin is used to detect the AC input voltage. When voltage is lower than the brownout threshold, voltage disables both forward and stand-by PWM.

RI Pin Open / Short Protection. The RI pin is used to set the switching frequency and internal current reference. The stand-by PWM and forward PWM stages are disabled whenever the RI pin is short or open.

Open-Loop Protection. The stand-by PWM and forward PWM stages of FAN6791/3 is disabled whenever the FBFYB / FBPWM pin is open.

Reference Circuit

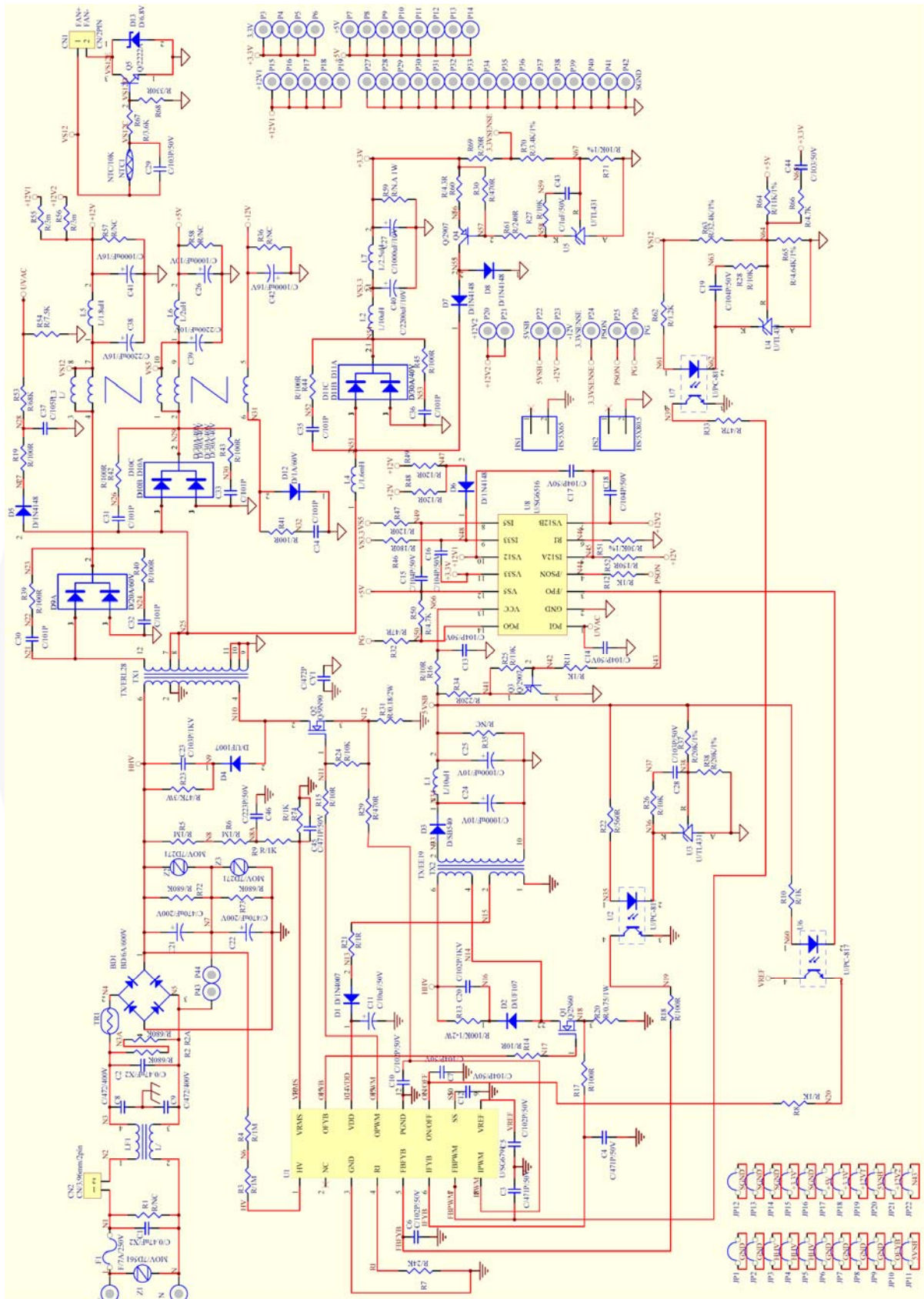
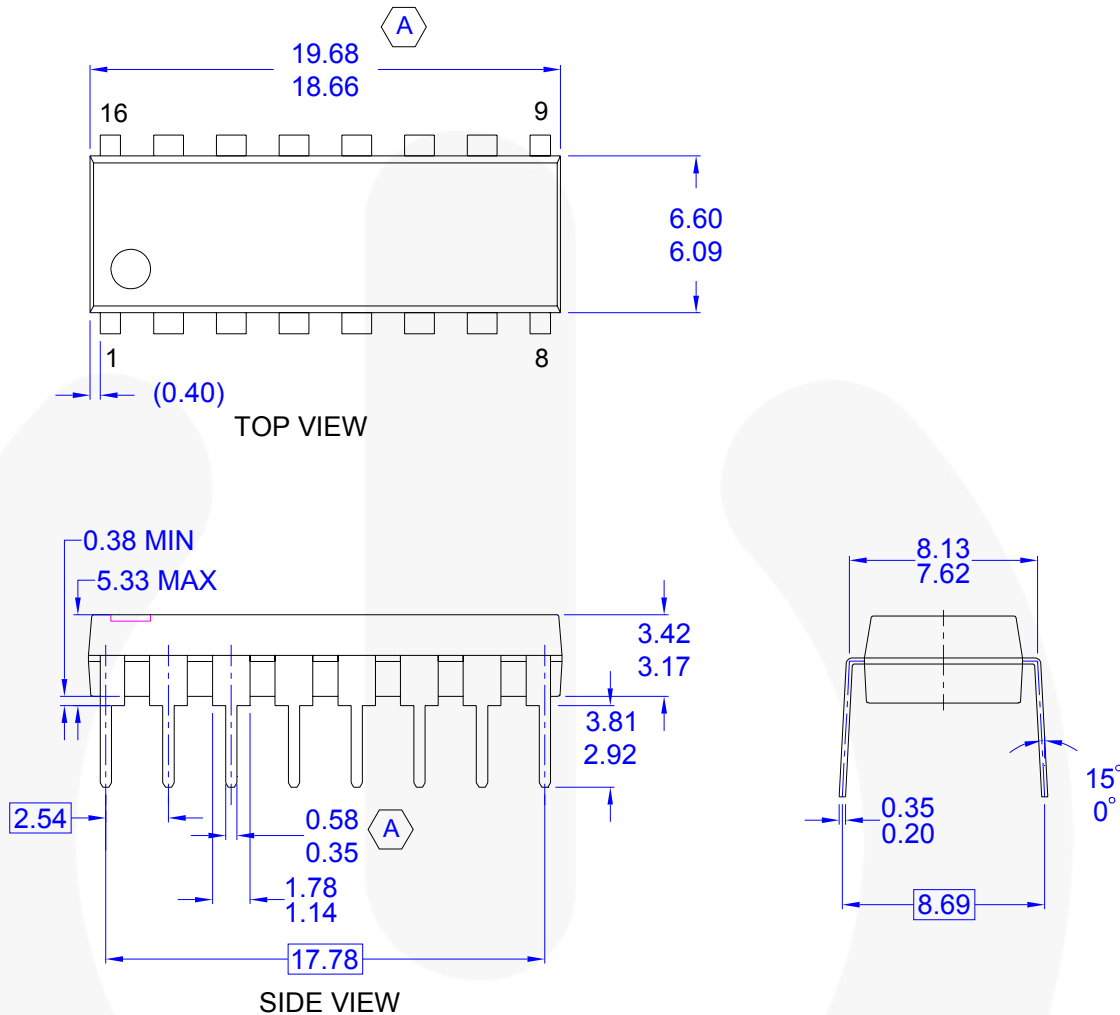


Figure 29. Reference Circuit

Build Of Materials List

| Reference | Component | Reference | Component |
|-----------|--------------------|-----------|---------------|
| C1 | C/0.47 μ F/X2 | R18 | R/100 1/8W |
| C2 | C/0.47 μ F/X2 | R20 | R/1/1W |
| C3 | C/471P/50V | R21 | R/1 1/8W |
| C4 | C/471P/50V | R22 | R/402 1/8W |
| C5 | C/102P/50V | R23 | R/47K 3W |
| C6 | C/102P/50V | R24 | R/10K 1/8W |
| C7 | C/102P/50V | R26 | R/2K 1/8W |
| C8 | C/472/400V | R29 | R/470 1/8W |
| C9 | C/472/400V | R31 | R/0.1/2W |
| C10 | C/102P/50V | R35 | R/N.A 1/4W |
| C11 | C/10 μ F/50V | R37 | R/20K 1% 1/8W |
| C12 | C/104P/50V | R38 | R/20K 1% 1/8W |
| C20 | C/102P/1KV | Q1 | 2N/60 |
| C21 | C/470 μ F/200V | Q2 | 9N90 |
| C22 | C/470 μ F/200V | Z3 | 7D271 |
| C23 | C/103P/1KV | Z2 | 7D271 |
| C24 | C/1000 μ F/10V | Z1 | 7D561 |
| C25 | C/330 μ F/10V | D1 | D/1N4007 |
| C28 | C/103P/50V | D2 | D/UF107 |
| R1 | R/680K 1/4W NC | D3 | D/SB540 |
| R2 | R/680K 1/4W | D4 | D/UF1007 |
| R3 | R/51.1K 1/4W | BD1 | D/6A/600V |
| R4 | R/51.1K 1/4W | U1 | SG6791/3 |
| R5 | R/2.4M 1/4W | U2 | PC-817 |
| R6 | R/2.4M 1/4W | U3 | TL431 |
| R7 | R/24K 1/8W | U6 | PC-817 |
| R8 | R/1K 1/8W | | |
| R9 | R/19.1K 1/8W | | |
| R10 | R/1K 1/8W | | |
| R13 | R/100K 1/2W | | |
| R14 | R/10 1/8W | | |
| R15 | R/10 1/8W | | |
| R17 | R/100 1/8W | | |

Physical Dimension



NOTES: UNLESS OTHERWISE SPECIFIED

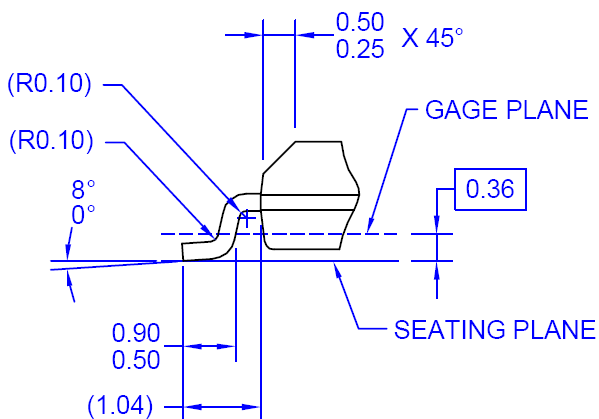
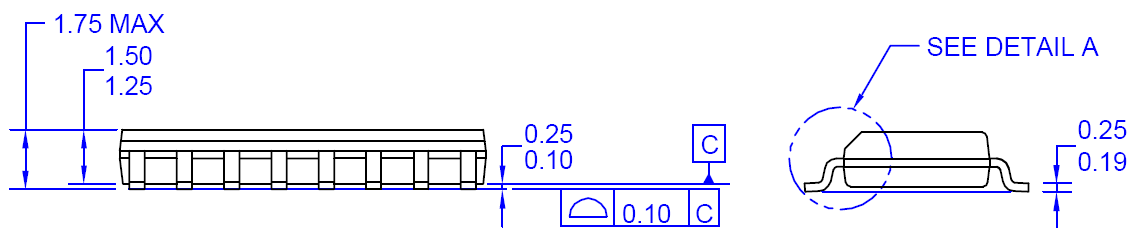
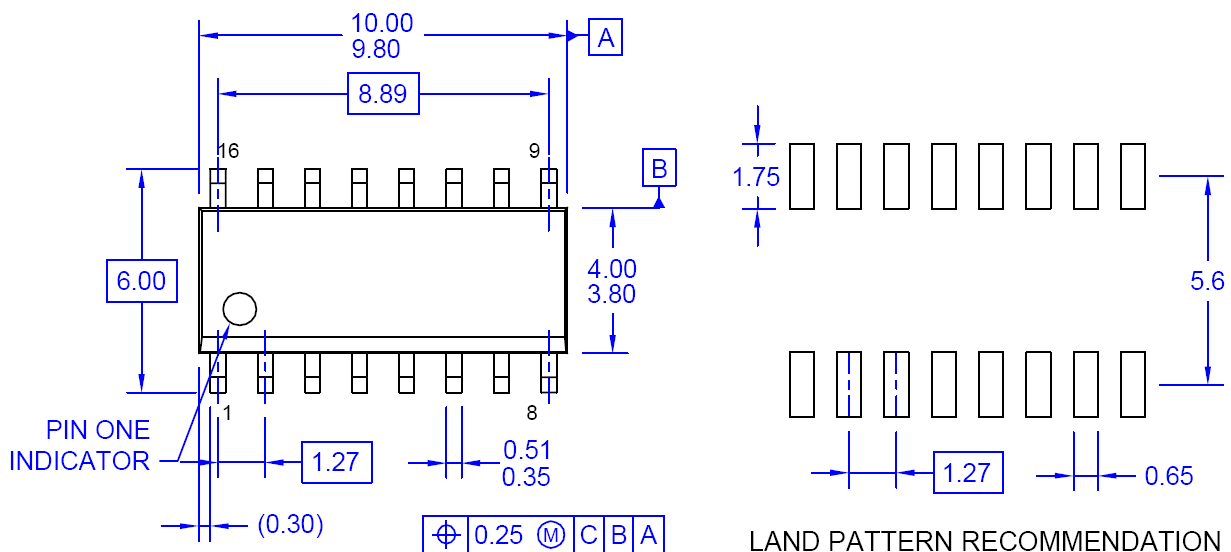
- A) THIS PACKAGE CONFORMS TO JEDEC MS-001 VARIATION BB
- B) ALL DIMENSIONS ARE IN MILLIMETERS.
- C) DIMENSIONS ARE EXCLUSIVE OF BURRS, MOLD FLASH, AND TIE BAR PROTRUSIONS
- D) CONFORMS TO ASME Y14.5M-1994
- E) DRAWING FILE NAME: N16EREV1

Figure 30. 16-Pin, Dual In-Line Package (DIP)

Package drawings are provided as a service to customers considering Fairchild components. Drawings may change in any manner without notice. Please note the revision and/or date on the drawing and contact a Fairchild Semiconductor representative to verify or obtain the most recent revision. Package specifications do not expand the terms of Fairchild's worldwide terms and conditions, specifically the warranty therein, which covers Fairchild products.

Always visit Fairchild Semiconductor's online packaging area for the most recent package drawings:
<http://www.fairchildsemi.com/packaging/>

Physical Dimensions (Continued)



NOTES: UNLESS OTHERWISE SPECIFIED

- A) THIS PACKAGE CONFORMS TO JEDEC MS-012, VARIATION AC, ISSUE C.
- B) ALL DIMENSIONS ARE IN MILLIMETERS.
- C) DIMENSIONS ARE EXCLUSIVE OF BURRS, MOLD FLASH AND TIE BAR PROTRUSIONS
- D) CONFORMS TO ASME Y14.5M-1994
- E) LANDPATTERN STANDARD: SOIC127P600X175-16AM
- F) DRAWING FILE NAME: M16AREV12.

DETAIL A
SCALE: 2:1

Figure 31. 16-Pin, Small Outline Integrated Circuit (SOIC)

Package drawings are provided as a service to customers considering Fairchild components. Drawings may change in any manner without notice. Please note the revision and/or date on the drawing and contact a Fairchild Semiconductor representative to verify or obtain the most recent revision. Package specifications do not expand the terms of Fairchild's worldwide terms and conditions, specifically the warranty therein, which covers Fairchild products.

Always visit Fairchild Semiconductor's online packaging area for the most recent package drawings:
<http://www.fairchildsemi.com/packaging/>



TRADEMARKS

The following includes registered and unregistered trademarks and service marks, owned by Fairchild Semiconductor and/or its global subsidiaries, and is not intended to be an exhaustive list of all such trademarks.

- | | | | |
|--|------------------------|---|--|
| AccuPower™ | FlashWriter®* | PDP SPM™ |  SYSTEM GENERAL ® |
| Auto-SPM™ | FPS™ | Power-SPM™ | The Power Franchise® |
| Build it Now™ | F-PFS™ | PowerTrench® |  the power franchise |
| CorePLUS™ | FRFET® | PowerXS™ | Programmable Active Droop™ |
| CorePOWER™ | Global Power Resource™ | QFET® | TinyBoost™ |
| CROSSVOLT™ | Green FPS™ | QS™ | TinyBuck™ |
| CTL™ | Green FPS™ e-Series™ | Quiet Series™ | TinyCalc™ |
| Current Transfer Logic™ | Gmax™ | RapidConfigure™ | TinyLogic® |
| DEUXPEED® | GTO™ |  ™ | TINYOPTO™ |
| Dual Cool™ | IntelliMAX™ | Saving our world, 1mW/W/KW at a time™ | TinyPower™ |
| EcoSPARK® | ISOPLANAR™ | SignalWise™ | TinyPWM™ |
| EfficientMax™ | MegaBuck™ | SmartMax™ | TinyWire™ |
| EZSWITCH™* | MICROCOUPLER™ | SMART START™ | TriFault Detect™ |
|  ™* | MicroFET™ | SPM® | TRUECURRENT™* |
| Fairchild® | MicroPak™ | STEALTH™ | μSerDes™ |
| Fairchild Semiconductor® | MicroPak2™ | SuperFET™ |  SerDes |
| FACT Quiet Series™ | MillerDrive™ | SuperSOT™-3 | UHC® |
| FACT® | MotionMax™ | SuperSOT™-6 | Ultra FRFET™ |
| FAST® | Motion-SPM™ | SuperSOT™-8 | UniFET™ |
| FastvCore™ | OptoHit™ | SupreMOS™ | VCX™ |
| FETBench™ | OPTOLOGIC® | SyncFET™ | VisualMax™ |
| | OPTOPLANAR® | Sync-Lock™ | XST™ |

* Trademarks of System General Corporation, used under license by Fairchild Semiconductor.

DISCLAIMER

FAIRCHILD SEMICONDUCTOR RESERVES THE RIGHT TO MAKE CHANGES WITHOUT FURTHER NOTICE TO ANY PRODUCTS HEREIN TO IMPROVE RELIABILITY, FUNCTION, OR DESIGN. FAIRCHILD DOES NOT ASSUME ANY LIABILITY ARISING OUT OF THE APPLICATION OR USE OF ANY PRODUCT OR CIRCUIT DESCRIBED HEREIN; NEITHER DOES IT CONVEY ANY LICENSE UNDER ITS PATENT RIGHTS, NOR THE RIGHTS OF OTHERS. THESE SPECIFICATIONS DO NOT EXPAND THE TERMS OF FAIRCHILD'S WORLDWIDE TERMS AND CONDITIONS, SPECIFICALLY THE WARRANTY THEREIN, WHICH COVERS THESE PRODUCTS.

LIFE SUPPORT POLICY

FAIRCHILD'S PRODUCTS ARE NOT AUTHORIZED FOR USE AS CRITICAL COMPONENTS IN LIFE SUPPORT DEVICES OR SYSTEMS WITHOUT THE EXPRESS WRITTEN APPROVAL OF FAIRCHILD SEMICONDUCTOR CORPORATION.

As used herein:

1. Life support devices or systems are devices or systems which, (a) are intended for surgical implant into the body or (b) support or sustain life, and (c) whose failure to perform when properly used in accordance with instructions for use provided in the labeling, can be reasonably expected to result in a significant injury of the user.
2. A critical component in any component of a life support, device, or system whose failure to perform can be reasonably expected to cause the failure of the life support device or system, or to affect its safety or effectiveness.

ANTI-COUNTERFEITING POLICY

Fairchild Semiconductor Corporation's Anti-Counterfeiting Policy. Fairchild's Anti-Counterfeiting Policy is also stated on our external website, www.fairchildsemi.com, under Sales Support.

Counterfeiting of semiconductor parts is a growing problem in the industry. All manufacturers of semiconductor products are experiencing counterfeiting of their parts. Customers who inadvertently purchase counterfeit parts experience many problems such as loss of brand reputation, substandard performance, failed applications, and increased cost of production and manufacturing delays. Fairchild is taking strong measures to protect ourselves and our customers from the proliferation of counterfeit parts. Fairchild strongly encourages customers to purchase Fairchild parts either directly from Fairchild or from Authorized Fairchild Distributors who are listed by country on our web page cited above. Products customers buy either from Fairchild directly or from Authorized Fairchild Distributors are genuine parts, have full traceability, meet Fairchild's quality standards for handling and storage and provide access to Fairchild's full range of up-to-date technical and product information. Fairchild and our Authorized Distributors will stand behind all warranties and will appropriately address any warranty issues that may arise. Fairchild will not provide any warranty coverage or other assistance for parts bought from Unauthorized Sources. Fairchild is committed to combat this global problem and encourage our customers to do their part in stopping this practice by buying direct or from authorized distributors.

PRODUCT STATUS DEFINITIONS

Definition of Terms

| Datasheet Identification | Product Status | Definition |
|--------------------------|-----------------------|---|
| Advance Information | Formative / In Design | Datasheet contains the design specifications for product development. Specifications may change in any manner without notice. |
| Preliminary | First Production | Datasheet contains preliminary data; supplementary data will be published at a later date. Fairchild Semiconductor reserves the right to make changes at any time without notice to improve design. |
| No Identification Needed | Full Production | Datasheet contains final specifications. Fairchild Semiconductor reserves the right to make changes at any time without notice to improve the design. |
| Obsolete | Not In Production | Datasheet contains specifications on a product that is discontinued by Fairchild Semiconductor. The datasheet is for reference information only. |

Rev. I46

ON Semiconductor and  are trademarks of Semiconductor Components Industries, LLC dba ON Semiconductor or its subsidiaries in the United States and/or other countries. ON Semiconductor owns the rights to a number of patents, trademarks, copyrights, trade secrets, and other intellectual property. A listing of ON Semiconductor's product/patent coverage may be accessed at www.onsemi.com/site/pdf/Patent-Marking.pdf. ON Semiconductor reserves the right to make changes without further notice to any products herein. ON Semiconductor makes no warranty, representation or guarantee regarding the suitability of its products for any particular purpose, nor does ON Semiconductor assume any liability arising out of the application or use of any product or circuit, and specifically disclaims any and all liability, including without limitation special, consequential or incidental damages. Buyer is responsible for its products and applications using ON Semiconductor products, including compliance with all laws, regulations and safety requirements or standards, regardless of any support or applications information provided by ON Semiconductor. "Typical" parameters which may be provided in ON Semiconductor data sheets and/or specifications can and do vary in different applications and actual performance may vary over time. All operating parameters, including "Typicals" must be validated for each customer application by customer's technical experts. ON Semiconductor does not convey any license under its patent rights nor the rights of others. ON Semiconductor products are not designed, intended, or authorized for use as a critical component in life support systems or any FDA Class 3 medical devices or medical devices with a same or similar classification in a foreign jurisdiction or any devices intended for implantation in the human body. Should Buyer purchase or use ON Semiconductor products for any such unintended or unauthorized application, Buyer shall indemnify and hold ON Semiconductor and its officers, employees, subsidiaries, affiliates, and distributors harmless against all claims, costs, damages, and expenses, and reasonable attorney fees arising out of, directly or indirectly, any claim of personal injury or death associated with such unintended or unauthorized use, even if such claim alleges that ON Semiconductor was negligent regarding the design or manufacture of the part. ON Semiconductor is an Equal Opportunity/Affirmative Action Employer. This literature is subject to all applicable copyright laws and is not for resale in any manner.

PUBLICATION ORDERING INFORMATION

LITERATURE FULFILLMENT:

Literature Distribution Center for ON Semiconductor
19521 E. 32nd Pkwy, Aurora, Colorado 80011 USA
Phone: 303-675-2175 or 800-344-3860 Toll Free USA/Canada
Fax: 303-675-2176 or 800-344-3867 Toll Free USA/Canada
Email: orderlit@onsemi.com

N. American Technical Support: 800-282-9855 Toll Free
USA/Canada
Europe, Middle East and Africa Technical Support:
Phone: 421 33 790 2910
Japan Customer Focus Center
Phone: 81-3-5817-1050

ON Semiconductor Website: www.onsemi.com
Order Literature: <http://www.onsemi.com/orderlit>
For additional information, please contact your local
Sales Representative