

## 16 mm Square Encoders

Type: **EVEP/EVEQ**



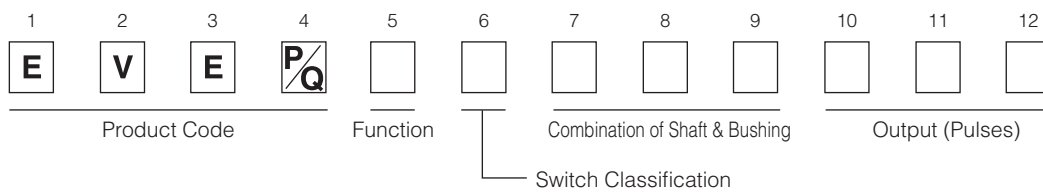
### ■ Features

- Good operational feel
- Long life with high click torque
- Shaft wobble : 0.1 mm max.

### ■ Recommended Applications

- Centralized control of automotive audio equipment, navigation systems, and air conditioners.

### ■ Explanation of Part Numbers

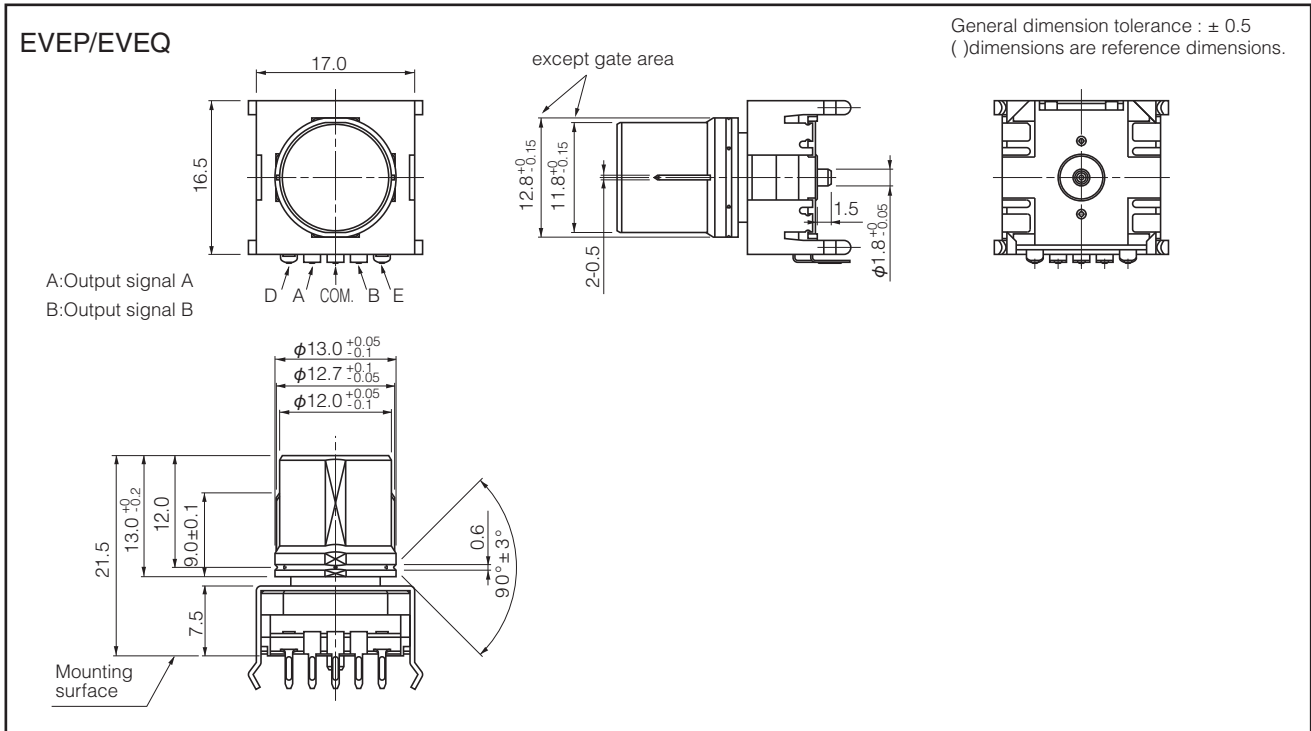


### ■ Specifications

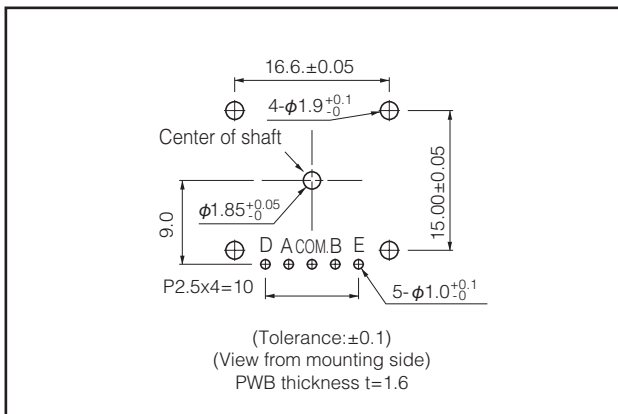
		EVEP	EVEQ
Mechanical	Rotation Angle	360 ° (Endless)	
	Shaft Pull/Push Strength	100 N min.	
	Shaft Wobble	0.1 mm max.(Length form mounting surface : 21.5 mm) ( 50 mN·m is applied on the point 2 mm from the shaft tip)	
	Rotation Torque	25 mN·m max.	
	Detents	16 points	32 points
Electrical	Output Signals	Phase A and B	
	Resolution	8 pulses/ 360 °	16 pulses/ 360 °
	Rating	1 mA 10 V DC (at each bit)	
	Contact Resistance	1 Ω max.	
	Chattering	5 ms max.	
	Insulation Resistance	50 MΩ min. (at 250 V DC)	
	Dielectric Withstanding Voltage	300 V AC for 1 minute	
Switch Part	Bouncing	5 ms max.	
	Type	SPST Push-on	
	Rating	20 mA 16 V DC	
	Contact Resistance	100 mΩ max.	
	Operating Force	6 N	
Endurance	Travel	0.5 mm	
	Rotation Life (Encoder)	1,000,000 cycles min.	30,000 cycles min.
	Operating Life (Switch)	1,000,000 cycles min.	30,000 cycles min.
Minimum Quantity/Packing Unit		50 pcs. (Tray Pack)	
Quantity/Carton		200 pcs.	

Design and specifications are each subject to change without notice. Ask factory for the current technical specifications before purchase and/or use.  
Should a safety concern arise regarding this product, please be sure to contact us immediately.

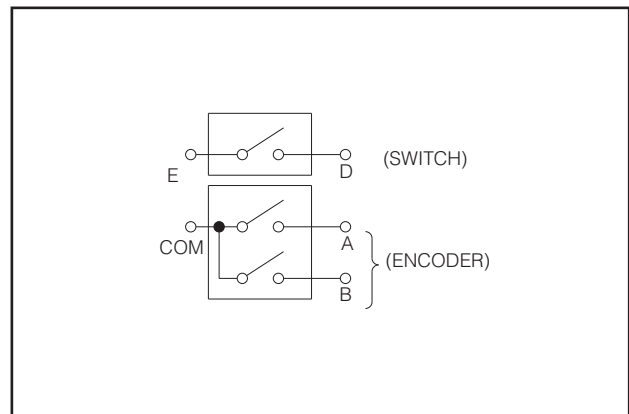
### ■ Dimensions in mm (not to scale)



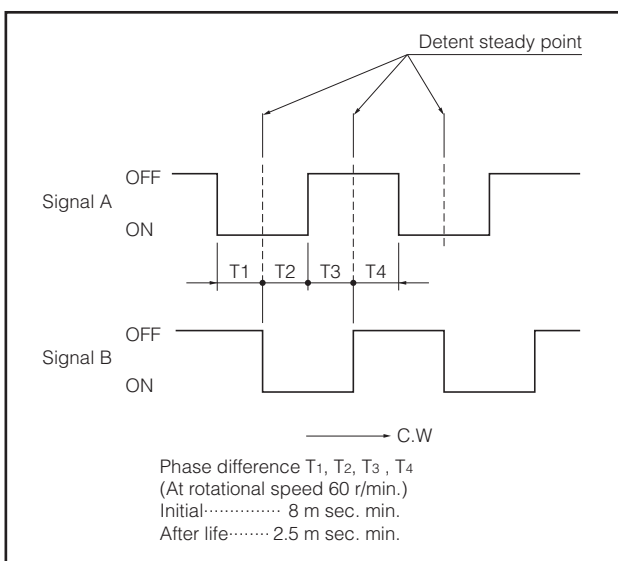
### ■ PWB mounting hole for reference



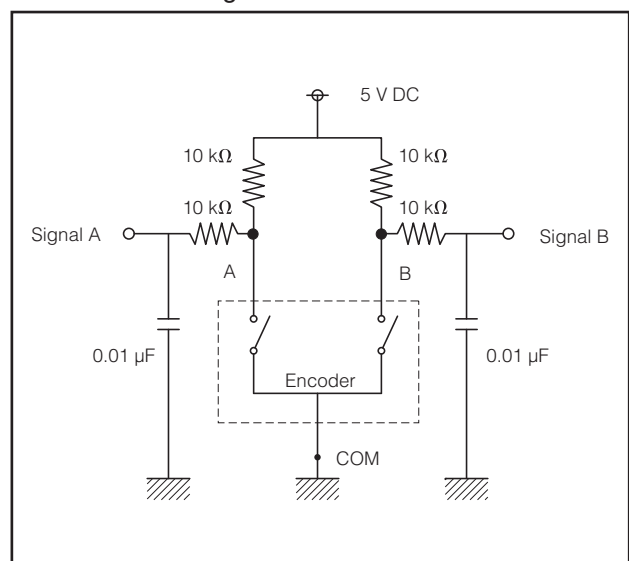
### ■ Encoder / Switch Circuit



### ■ Phase Difference



### ■ Test Circuit Diagram



Design and specifications are each subject to change without notice. Ask factory for the current technical specifications before purchase and/or use.  
 Should a safety concern arise regarding this product, please be sure to contact us immediately.