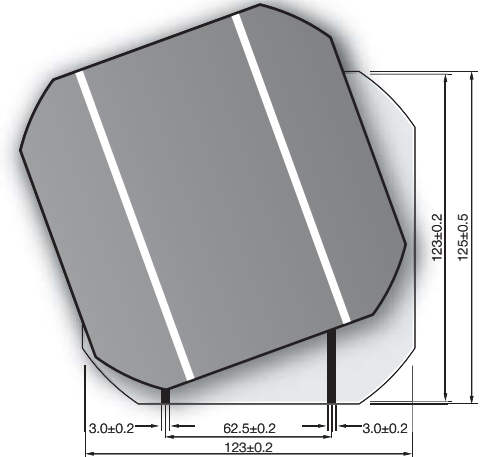
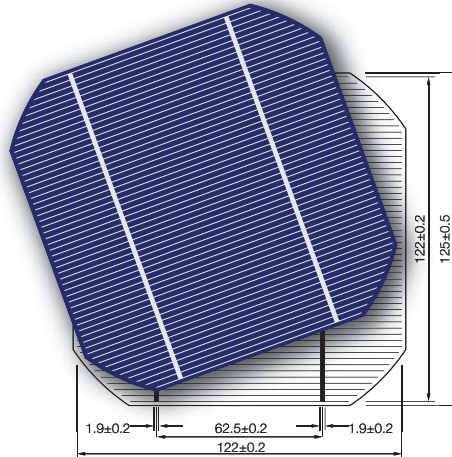


125S0R2

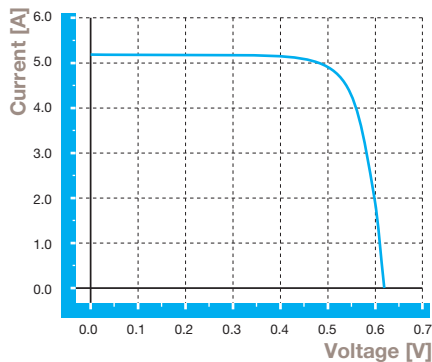
Mono 5" (R150)

Monocrystalline silicon solar cells



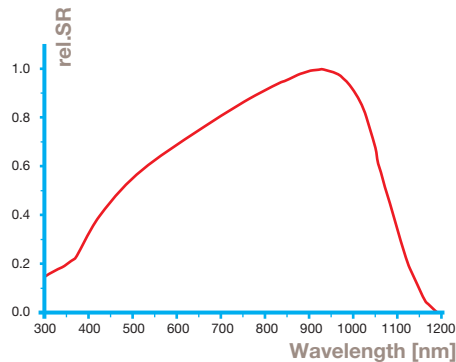
MECHANICAL DATA AND DESIGN		No.	Efficiency(%)	Pmpp(W)	Ump(V)	Imp(A)	Uoc(V)	Isc(A)	FF(%)
Format	125mm×125mm±0.5mm	10	17.80-18.00	2.65	0.531	4.993	0.633	5.339	78.41
Thickness	190µm±20µm	09	17.60-17.80	2.62	0.528	4.959	0.632	5.313	78.07
Front(-)	1.9mm bus bars(silver), blue anti-reflecting coating(silicon nitride)	08	17.40-17.60	2.59	0.526	4.926	0.630	5.294	77.69
		07	17.20-17.40	2.56	0.523	4.893	0.626	5.266	77.59
Back(+)	3mm wide soldering pads(silver) back surface field(aluminium)	06	17.00-17.20	2.53	0.520	4.869	0.624	5.241	77.36
		05	16.80-17.00	2.50	0.516	4.841	0.623	5.219	76.94
TEMPERATURE COEFFICIENTS		04	16.60-16.80	2.47	0.513	4.811	0.621	5.195	76.57
TkVoltage	-0.348%/K	03	16.30-16.60	2.45	0.512	4.781	0.619	5.175	76.51
TkCurrent	+0.031%/K	02	15.90-16.30	2.39	0.507	4.716	0.617	5.090	76.12
TkPower	-0.46%/K	01	15.50-15.90	2.33	0.502	4.638	0.614	5.032	75.37

IV CURVE



*calibrated against fraunhofer ISE freiburg

SPECTRAL RESPONSE



INTENSITY DEPENDENCE

Intensity [W/m ²]	Isc*	Voc*
1000	1.0	1.000
900	0.9	0.994
500	0.5	0.968
300	0.3	0.942
200	0.2	0.922

*Ratio of Voc(Isc) at reduced intensity to Voc(Isc) at 1000 W/m²