

# RJ45 male insert - VS-08-ST-H21P-RJ45 - 1404388

Please be informed that the data shown in this PDF Document is generated from our Online Catalog. Please find the complete data in the user's documentation. Our General Terms of Use for Downloads are valid (<http://phoenixcontact.com/download>)




RJ45 male insert, CAT6, 8-pos., shielded, IDC pierce connection, for AWG 27 litz wires ... 24, with strain relief



**Ethernet**

## Key Commercial Data

Packing unit	5 pc
Minimum order quantity	5 pc
GTIN	 4 046356 313230
GTIN	4046356313230

## Technical data

### Mechanical characteristics

Connection method	IDC connection technology
Overvoltage category	I
AWG solid min.	27
AWG solid max.	24
Degree of pollution	2
Cable outlet	straight
No. of cable outlets	1
Conductor cross section	0.1 mm <sup>2</sup> ... 0.2 mm <sup>2</sup> (flexible)
Weight	2.88 g

### Ambient conditions

Ambient temperature (operation)	-25 °C ... 60 °C
---------------------------------	------------------

### Material data

Contact surface material	Gold
Contact material	Phosphor bronze
Contact carrier material	PC
Width	11.7 mm

# RJ45 male insert - VS-08-ST-H21P-RJ45 - 1404388

## Technical data

### Material data

Height	13.5 mm
Length	30.2 mm

### Electrical characteristics

Resistance	100 MΩ
Connection cross section AWG	27 ... 24 (flexible)
Rated current	1 A

### Standards and Regulations

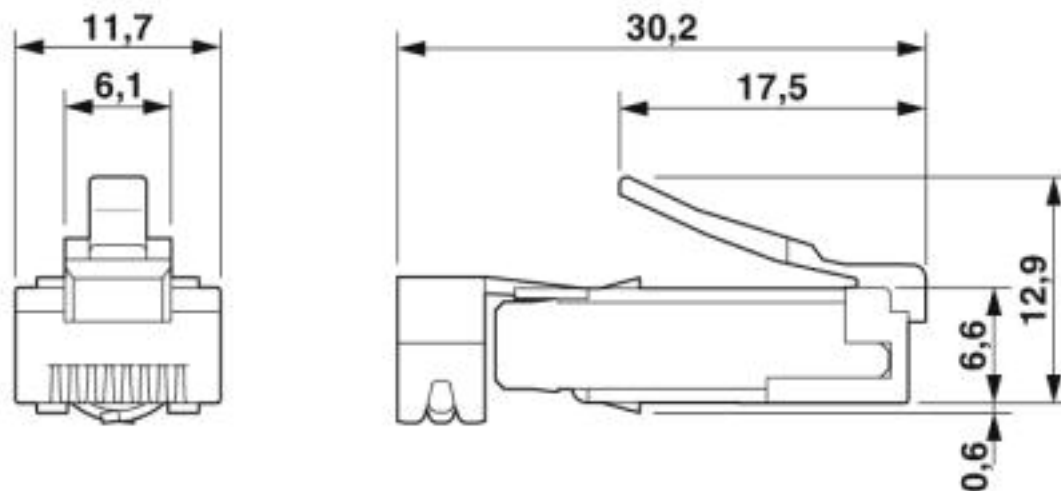
Flammability rating according to UL 94	V2
--	----

### Environmental Product Compliance

China RoHS	Environmentally friendly use period: unlimited = EFUP-e
	No hazardous substances above threshold values

## Drawings

Dimensional drawing



RJ45 male insert

## Classifications

eCl@ss

eCl@ss 10.0.1	27440312
eCl@ss 4.0	27260700
eCl@ss 4.1	27260700
eCl@ss 5.0	27260700
eCl@ss 5.1	27260700
eCl@ss 6.0	27260700

# RJ45 male insert - VS-08-ST-H21P-RJ45 - 1404388

## Classifications

### eCl@ss

eCl@ss 7.0	27440312
eCl@ss 8.0	27440312
eCl@ss 9.0	27440312

### ETIM

ETIM 3.0	EC001121
ETIM 4.0	EC001121
ETIM 5.0	EC002641
ETIM 6.0	EC002641
ETIM 7.0	EC002641

### UNSPSC

UNSPSC 6.01	30211923
UNSPSC 7.0901	39121522
UNSPSC 11	39121522
UNSPSC 12.01	39121522
UNSPSC 13.2	39121419
UNSPSC 18.0	39121419
UNSPSC 19.0	39121419
UNSPSC 20.0	39121419
UNSPSC 21.0	39121419

## Approvals

### Approvals

---

Approvals

EAC

---

Ex Approvals

---

### Approval details

EAC		B.01687
-----	--	---------

## Accessories

Accessories

Bend protection sleeve

## RJ45 male insert - VS-08-ST-H21P-RJ45 - 1404388

### Accessories

RJ45 bending protection sleeve - VS-08-KS-H/GY - 1654743



RJ45 bend protection sleeve, for pin inserts VS-08-ST-H11-RJ45 and VS-08-ST-H21-RJ45, for cable cross section up to 7 mm, color: gray

RJ45 bending protection sleeve - VS-08-KS-H/GN - 1654756



RJ45 bend protection sleeve, for pin inserts VS-08-ST-H11-RJ45 and VS-08-ST-H21-RJ45, for cable cross section up to 7 mm, color: green

### Crimping tool

Crimping pliers - VS-CT-RJ45-H - 1653265



Crimp tool, pliers with die, for RJ45 pin inserts VS-08-ST-H...-RJ45 and VS-08-RJ45-10G/C

### Sleeve housings

RJ45 sleeve housings - VS-08-T-H-RJ45/IP67 - 1652732



RJ45 sleeve housings, degree of protection: IP67, number of positions: 8, material: PA, cable outlet: straight, color: traffic grey A RAL 7042

RJ45 sleeve housings - VS-08-T-H-RJ45/IP67-BK - 1658671



RJ45 sleeve housings, degree of protection: IP67, number of positions: 8, material: PA, cable outlet: straight, color: jet black RAL 9005

Phoenix Contact 2020 © - all rights reserved  
<http://www.phoenixcontact.com>

PHOENIX CONTACT GmbH & Co. KG  
Flachsmarktstr. 8  
32825 Blomberg  
Germany  
Tel. +49 5235 300  
Fax +49 5235 3 41200  
<http://www.phoenixcontact.com>