

Control cabinet feed-through - VS-BH-M12FSX-10G-RJ45/180 - 1404549

Please be informed that the data shown in this PDF Document is generated from our Online Catalog. Please find the complete data in the user's documentation. Our General Terms of Use for Downloads are valid (<http://phoenixcontact.com/download>)



Control cabinet feed-through, M12, 8-pos., X-coded to RJ45 socket, socket input 180°, IP65/67

Your advantages

- Compact design
- 10 Gbps
- IP65/67
- UL

RoHS

0,5A
IEC

800V
IEC

Ethernet

Key Commercial Data

Packing unit	1 pc
GTIN	
GTIN	4046356699426

Technical data

Mechanical characteristics

Number of slots	1
Thread type	M12
Cable outlet	straight
Weight	36.5 g

Ambient conditions

Ambient temperature (operation)	-25 °C ... 85 °C
Ambient temperature (storage/transport)	-25 °C ... 85 °C
Degree of protection	IP65
	IP67

Material data

Control cabinet feed-through - VS-BH-M12FSX-10G-RJ45/180 - 1404549

Technical data

Material data

Contact material	Copper alloy
Housing material	PA
Mounting type	Rear mounting

Electrical characteristics

Number of positions	8
Nominal voltage U_N	48 V
Nominal current I_N	0.5 A
Transmission characteristics (category)	CAT6 _A
GRP transmission properties	Ethernet CAT6 _A CAT6 _A
Transmission speed	10 Gbps
Rated current	1.75 A
Rated voltage (III/3)	72 V (DC)

Standards and Regulations

Flammability rating according to UL 94	V0
--	----

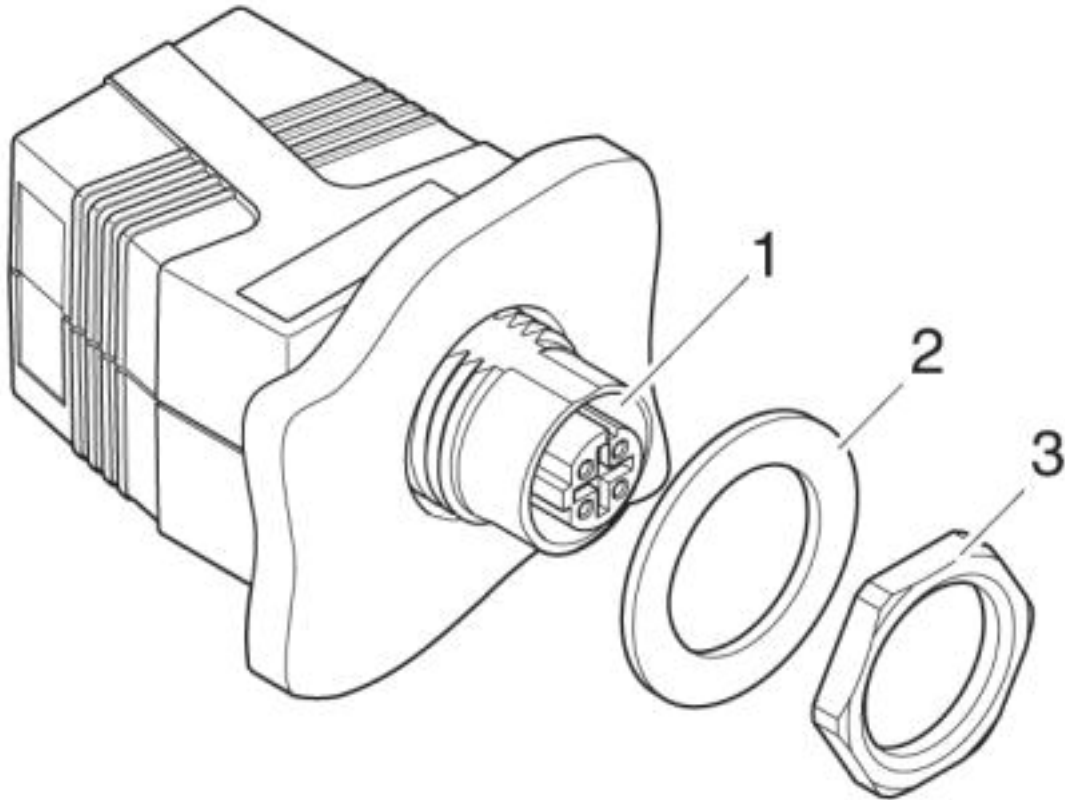
Environmental Product Compliance

REACH SVHC	Lead 7439-92-1
China RoHS	Environmentally Friendly Use Period = 50 years
	For details about hazardous substances go to tab "Downloads", Category "Manufacturer's declaration"

Drawings

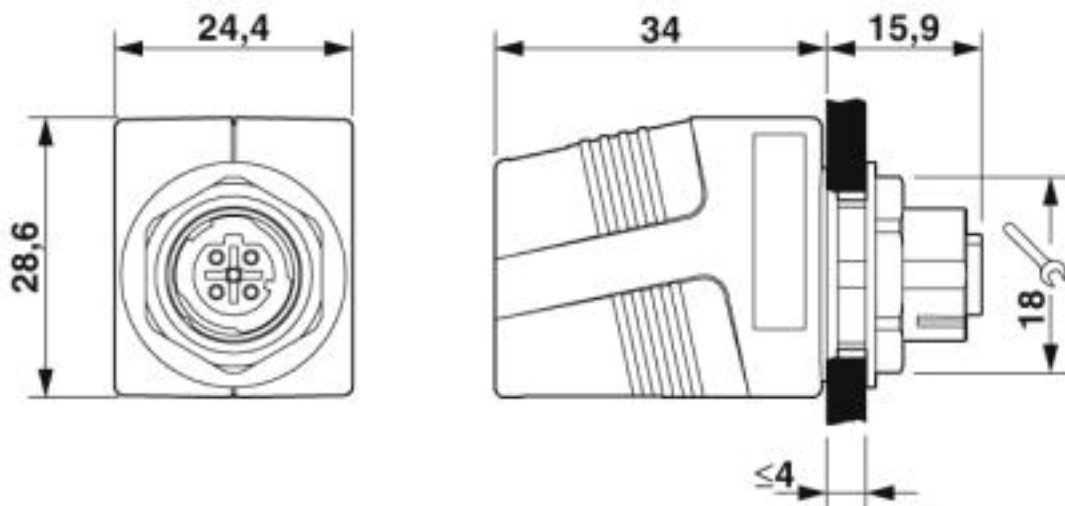
Control cabinet feed-through - VS-BH-M12FSX-10G-RJ45/180 - 1404549

Exploded view



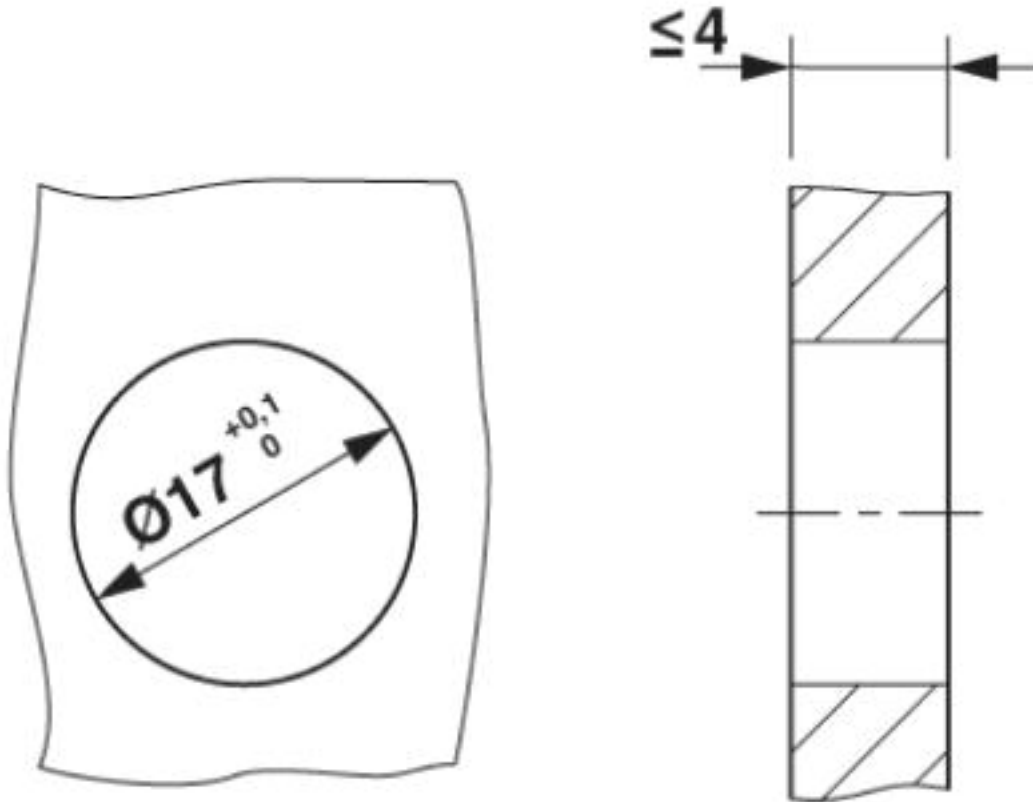
Exploded drawing

Dimensional drawing



Control cabinet feed-through - VS-BH-M12FSX-10G-RJ45/180 - 1404549

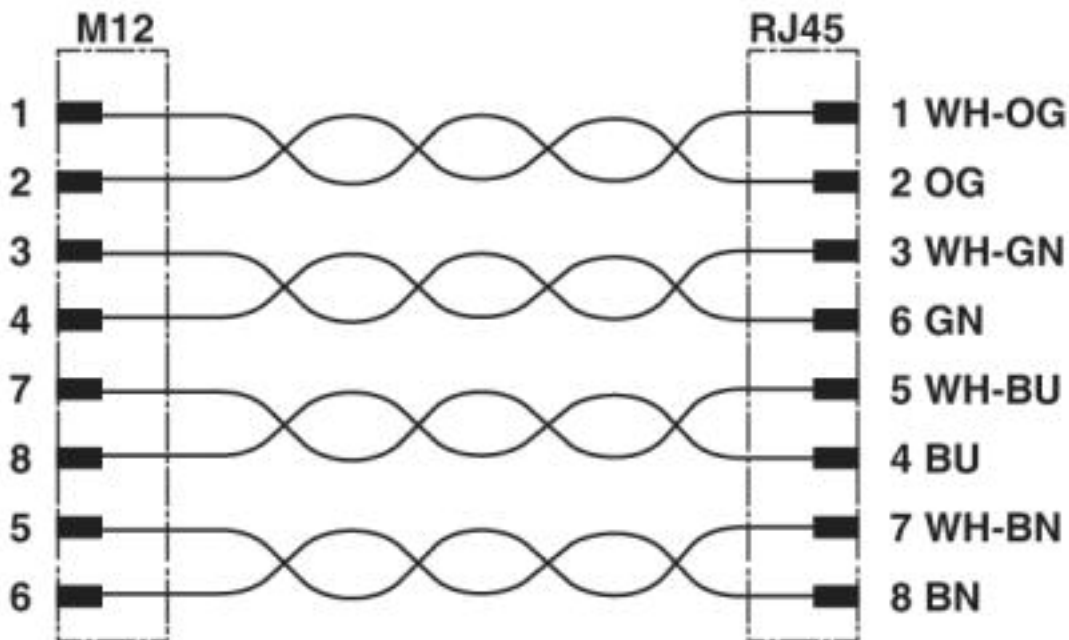
Dimensional drawing



Mounting cutout

Control cabinet feed-through - VS-BH-M12FSX-10G-RJ45/180 - 1404549

Circuit diagram



Circuit diagram

Classifications

eCl@ss

eCl@ss 10.0.1	27440312
eCl@ss 4.0	27260700
eCl@ss 4.1	27260700
eCl@ss 5.0	27260700
eCl@ss 5.1	27260700
eCl@ss 6.0	27260700
eCl@ss 7.0	27440312
eCl@ss 8.0	27440312
eCl@ss 9.0	27440312

ETIM

ETIM 4.0	EC001121
ETIM 5.0	EC002641
ETIM 6.0	EC002641
ETIM 7.0	EC002641

UNSPSC

UNSPSC 6.01	31261501
UNSPSC 7.0901	31261501
UNSPSC 11	31261501

Control cabinet feed-through - VS-BH-M12FSX-10G-RJ45/180 - 1404549

Classifications

UNSPSC

UNSPSC 12.01	31261501
UNSPSC 13.2	39121419
UNSPSC 18.0	39121419
UNSPSC 19.0	39121419
UNSPSC 20.0	39121419
UNSPSC 21.0	39121419

Approvals

Approvals

Approvals

UL Listed / cUL Listed / EAC / cULus Listed

Ex Approvals

Approval details

UL Listed		http://database.ul.com/cgi-bin/XYV/template/LISEXT/1FRAME/index.htm E335024-20140306
<hr/>		
Nominal voltage UN	60 V	
Nominal current IN	0.5 A	

cUL Listed		http://database.ul.com/cgi-bin/XYV/template/LISEXT/1FRAME/index.htm E335024-20140306
<hr/>		
Nominal voltage UN	60 V	
Nominal current IN	0.5 A	

EAC		B.01687
-----	--	---------

cULus Listed	
--------------	--

Phoenix Contact 2020 © - all rights reserved
<http://www.phoenixcontact.com>

PHOENIX CONTACT GmbH & Co. KG
Flachsmarktstr. 8
32825 Blomberg
Germany
Tel. +49 5235 300
Fax +49 5235 3 41200
<http://www.phoenixcontact.com>