

Connector set - HC-KIT-B24-R02 - 1409752


Please be informed that the data shown in this PDF Document is generated from our Online Catalog. Please find the complete data in the user's documentation. Our General Terms of Use for Downloads are valid (<http://phoenixcontact.com/download>)



Connector set, consisting of: B24 sleeve housing and panel mounting base, 24-pos. plug and socket insert, M32 cable gland

RoHS

Key Commercial Data

Packing unit	1 pc
GTIN	 4 046356 752701
GTIN	4046356752701

Technical data

Dimensions

Cable diameter	14 mm ... 21 mm
----------------	-----------------

General

Number of positions	24+PE
Type	B24
Rated voltage	500 V
Rated current	16 A
Connection method	Screw connection
Cable outlet	lateral
Degree of protection for housing	IP65
Connection method	Screw connection
Rated voltage (III/3)	500 V
Rated surge voltage	6 kV
Rated current	20 A
Conductor cross section	0.5 mm ² ... 2.5 mm ² (applies to stranded conductors with ferrules)
Connection cross section AWG	20 ... 14
External cable diameter	15 mm ... 21 mm
Ambient temperature (operation)	-40 °C ... 100 °C

Connector set - HC-KIT-B24-R02 - 1409752

Technical data

General

Length of the assembly cutout	113 mm
Width of the assembly cutout	35 mm
Housing material	Aluminum cast alloy, powder-coated
Contact carrier material	PC
Locking latch material	PA

Standards and Regulations

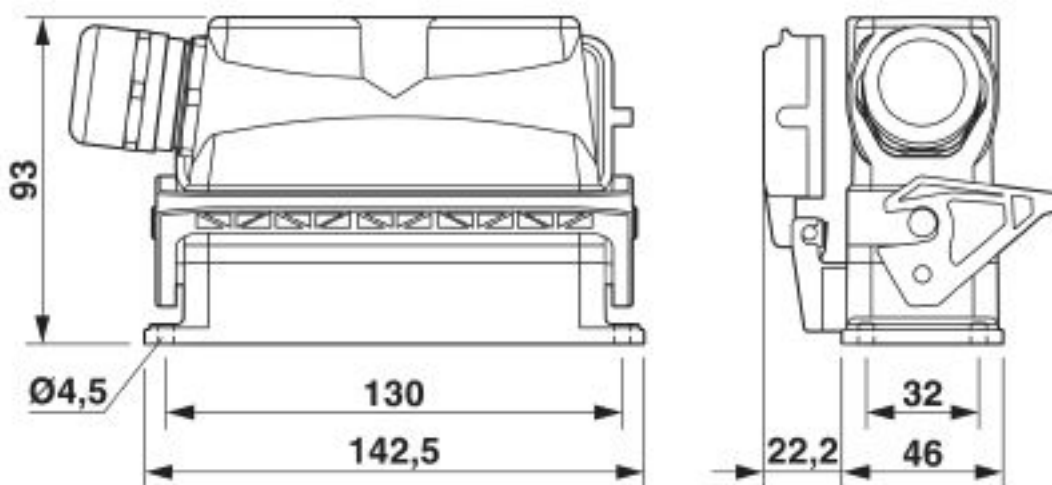
Flammability rating according to UL 94	V0
--	----

Environmental Product Compliance

REACH SVHC	Lead 7439-92-1
China RoHS	Environmentally Friendly Use Period = 50 years
	For details about hazardous substances go to tab "Downloads", Category "Manufacturer's declaration"

Drawings

Dimensional drawing



Dimensional drawing

Connector set - HC-KIT-B24-R02 - 1409752

Articles in set

Cable gland - G-INS-M32-M68N-NNES-S - 1411166



Cable gland, cable gland material: Nickel-plated brass, external cable diameter 15 mm ... 21 mm, shielding: no, connecting thread: M32 x 1.5, color: silver, with O-ring

Contact insert - HC-B 24-I-UT-M - 1648296



HEAVYCON pin insert, B24 series, 24-pos., screw connection

Housing - HC-B 24-TFL-N-O1STM32S - 1460192



HEAVYCON B24 sleeve housing, for single locking latch, height: 65 mm, with 1 x M32 thread, lateral cable outlet

Housing - HC-B 24-AMLD - 1771943



HEAVYCON B24 panel mounting base, with single locking latch, height: 29 mm, with plastic cover, with flat gasket

Contact insert - HC-B 24-I-UT-F - 1648306



HEAVYCON female insert, B24 series, 24-pos., screw connection

Classifications

eCl@ss

eCl@ss 10.0.1	27440101
eCl@ss 4.0	27260700

Connector set - HC-KIT-B24-R02 - 1409752

Classifications

eCl@ss

eCl@ss 4.1	27260700
eCl@ss 5.0	27260700
eCl@ss 5.1	27260700
eCl@ss 6.0	27260700
eCl@ss 7.0	27440101
eCl@ss 8.0	27440101
eCl@ss 9.0	27440101

ETIM

ETIM 3.0	EC002310
ETIM 4.0	EC002560
ETIM 5.0	EC002560
ETIM 6.0	EC002636
ETIM 7.0	EC002636

UNSPSC

UNSPSC 6.01	30211923
UNSPSC 7.0901	39121522
UNSPSC 11	39121522
UNSPSC 12.01	39121522
UNSPSC 13.2	39121409
UNSPSC 18.0	39121409
UNSPSC 19.0	39121409
UNSPSC 20.0	39121409
UNSPSC 21.0	39121409

Approvals

Approvals

Approvals

EAC / EAC / EAC

Ex Approvals


Approval details

EAC		RU C- DE.AI30.B.01102
-----	--	--------------------------

Connector set - HC-KIT-B24-R02 - 1409752

Approvals

EAC		EAC-Zulassung
-----	---	---------------

EAC		RU C- DE.BL08.B.00511
-----	---	--------------------------

Phoenix Contact 2020 © - all rights reserved
<http://www.phoenixcontact.com>

PHOENIX CONTACT GmbH & Co. KG
Flachsmarktstr. 8
32825 Blomberg
Germany
Tel. +49 5235 300
Fax +49 5235 3 41200
<http://www.phoenixcontact.com>