

RJ45 male insert - VS-08-RJ45-10G/C - 1418853


Please be informed that the data shown in this PDF Document is generated from our Online Catalog. Please find the complete data in the user's documentation. Our General Terms of Use for Downloads are valid (<http://phoenixcontact.com/download>)



Male insert RJ45, CAT6_A, 10 Gigabit



Key Commercial Data

Packing unit	5 pc
GTIN	 4 046356 536660
GTIN	4046356536660

Technical data

Mechanical characteristics

Connection method	IDC connection technology
Overvoltage category	I
AWG solid min.	24
AWG solid max.	27
Cable outlet	straight
No. of cable outlets	1
Weight	3 g

Ambient conditions

Ambient temperature (operation)	-25 °C ... 60 °C
---------------------------------	------------------

Material data

Contact surface material	Gold
Contact material	Phosphor bronze
Contact carrier material	PC
Width	11.7 mm
Height	12.9 mm

RJ45 male insert - VS-08-RJ45-10G/C - 1418853

Technical data

Material data

Length	30.2 mm
--------	---------

Electrical characteristics

Number of positions	8
Nominal voltage U_N	48 V
Nominal current I_N	1.75 A
Transmission characteristics (category)	CAT6 _A
GRP transmission properties	CAT6 _A CAT6 _A
Frequency range	to 500 MHz
Overvoltage category	I
Rated voltage (III/3)	72 V (DC)
Insulation resistance	min. 100 MΩ (100 V DC)

Standards and Regulations

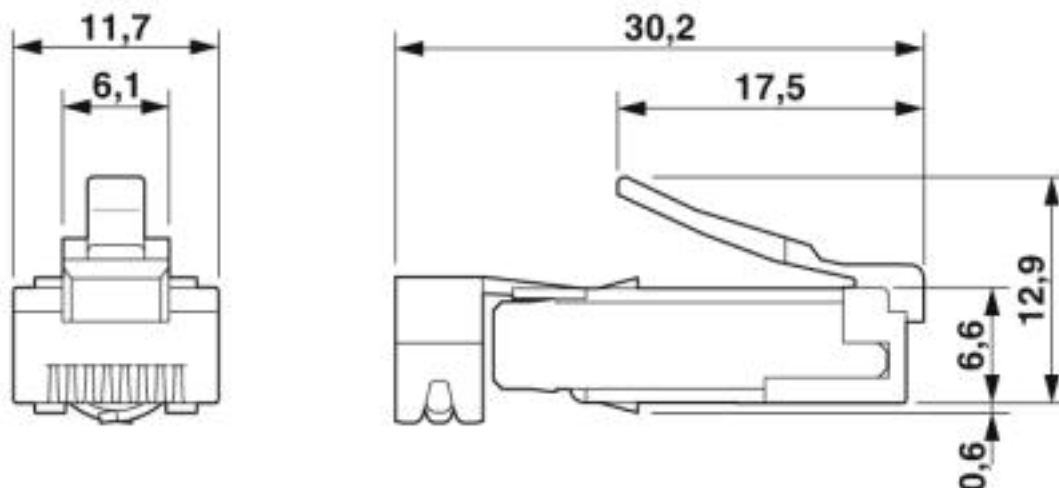
Flammability rating according to UL 94	V2
----------------------------------------	----

Environmental Product Compliance

China RoHS	Environmentally friendly use period: unlimited = EFUP-e
	No hazardous substances above threshold values

Drawings

Dimensional drawing



RJ45 male insert

Classifications

eCl@ss

eCl@ss 10.0.1	27440312
---------------	----------

RJ45 male insert - VS-08-RJ45-10G/C - 1418853

Classifications

eCl@ss

eCl@ss 4.0	27260700
eCl@ss 4.1	27260700
eCl@ss 5.0	27260700
eCl@ss 5.1	27260700
eCl@ss 6.0	27260700
eCl@ss 7.0	27440312
eCl@ss 8.0	27440312
eCl@ss 9.0	27440312

ETIM

ETIM 2.0	EC001121
ETIM 3.0	EC001121
ETIM 4.0	EC001121
ETIM 5.0	EC002641
ETIM 6.0	EC002641
ETIM 7.0	EC002641

UNSPSC

UNSPSC 6.01	30211923
UNSPSC 7.0901	39121522
UNSPSC 11	39121522
UNSPSC 12.01	39121522
UNSPSC 13.2	39121419
UNSPSC 18.0	39121419
UNSPSC 19.0	39121419
UNSPSC 20.0	39121419
UNSPSC 21.0	39121419

Approvals

Approvals

Approvals

EAC

Ex Approvals

Approval details

RJ45 male insert - VS-08-RJ45-10G/C - 1418853

Approvals

EAC



B.01687

Accessories

Accessories

Bend protection sleeve

RJ45 bending protection sleeve - VS-08-KS-H/GY - 1654743



RJ45 bend protection sleeve, for pin inserts VS-08-ST-H11-RJ45 and VS-08-ST-H21-RJ45, for cable cross section up to 7 mm, color: gray

RJ45 bending protection sleeve - VS-08-KS-H/GN - 1654756



RJ45 bend protection sleeve, for pin inserts VS-08-ST-H11-RJ45 and VS-08-ST-H21-RJ45, for cable cross section up to 7 mm, color: green

Crimping tool

Crimping pliers - VS-CT-RJ45-H - 1653265



Crimp tool, pliers with die, for RJ45 pin inserts VS-08-ST-H...-RJ45 and VS-08-RJ45-10G/C

Sleeve housings

RJ45 sleeve housings - VS-08-T-H-RJ45/IP67 - 1652732



RJ45 sleeve housings, degree of protection: IP67, number of positions: 8, material: PA, cable outlet: straight, color: traffic grey A RAL 7042

RJ45 male insert - VS-08-RJ45-10G/C - 1418853

Accessories

RJ45 sleeve housings - VS-08-T-H-RJ45/IP67-BK - 1658671



RJ45 sleeve housings, degree of protection: IP67, number of positions: 8, material: PA, cable outlet: straight, color: jet black RAL 9005

Phoenix Contact 2020 © - all rights reserved
<http://www.phoenixcontact.com>

PHOENIX CONTACT GmbH & Co. KG
Flachsmarktstr. 8
32825 Blomberg
Germany
Tel. +49 5235 300
Fax +49 5235 3 41200
<http://www.phoenixcontact.com>