

Data interface - SI-RND-U1A - 1425185


Please be informed that the data shown in this PDF Document is generated from our Online Catalog. Please find the complete data in the user's documentation. Our General Terms of Use for Downloads are valid (<http://phoenixcontact.com/download>)

Service socket with USB A 3.0 (socket/socket), with protective cover



RoHS

Key Commercial Data

Packing unit	1 pc
GTIN	 4 055626 386713
GTIN	4055626386713

Technical data

Mechanical characteristics

Number of positions	4
Connection profile	USB-A
Insertion/withdrawal cycles	≥ 1500

Ambient conditions

Ambient temperature (operation)	-40 °C ... 70 °C
Degree of protection	IP65 (with closed protective cover)

Material data

Flammability rating according to UL 94	V0
Housing material	PA
Contact material	Copper alloy
Contact surface material	gold-plated
Height	42.7 mm

Electrical characteristics

Number of positions	4
Transmission speed	USB 3.0 (socket/socket) type: A

Standards and Regulations

Data interface - SI-RND-U1A - 1425185

Technical data

Standards and Regulations

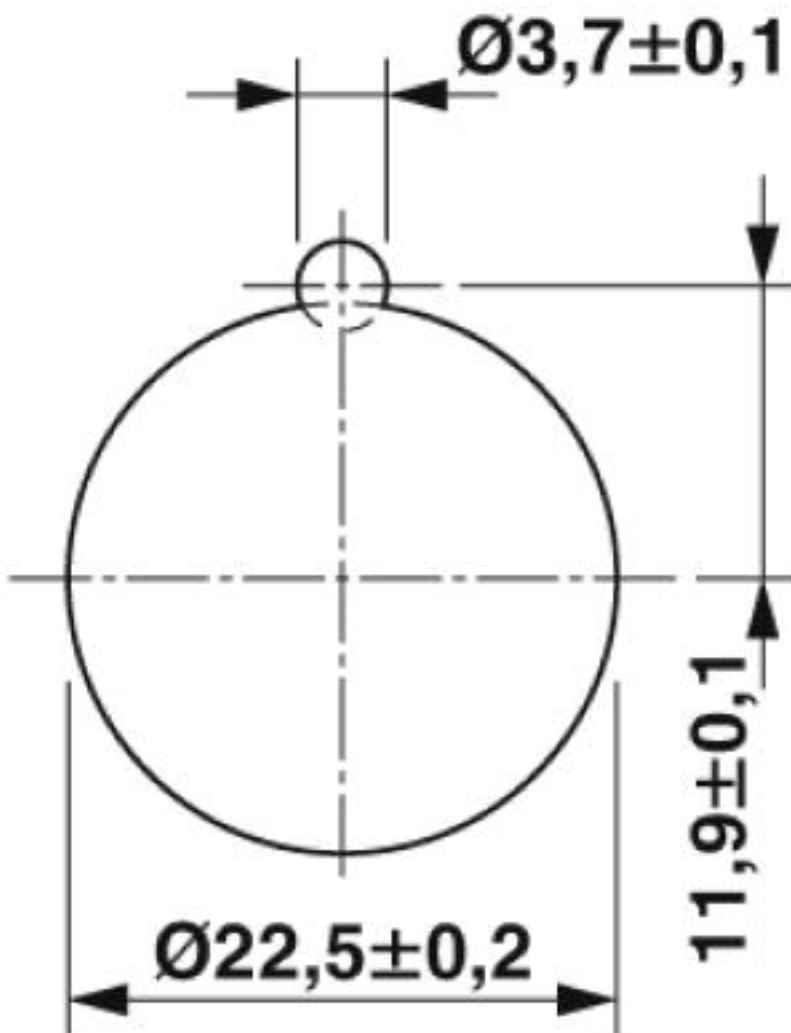
Flammability rating according to UL 94	V0
--	----

Environmental Product Compliance

REACH SVHC	Lead 7439-92-1
China RoHS	Environmentally Friendly Use Period = 50 years
	For details about hazardous substances go to tab "Downloads", Category "Manufacturer's declaration"

Drawings

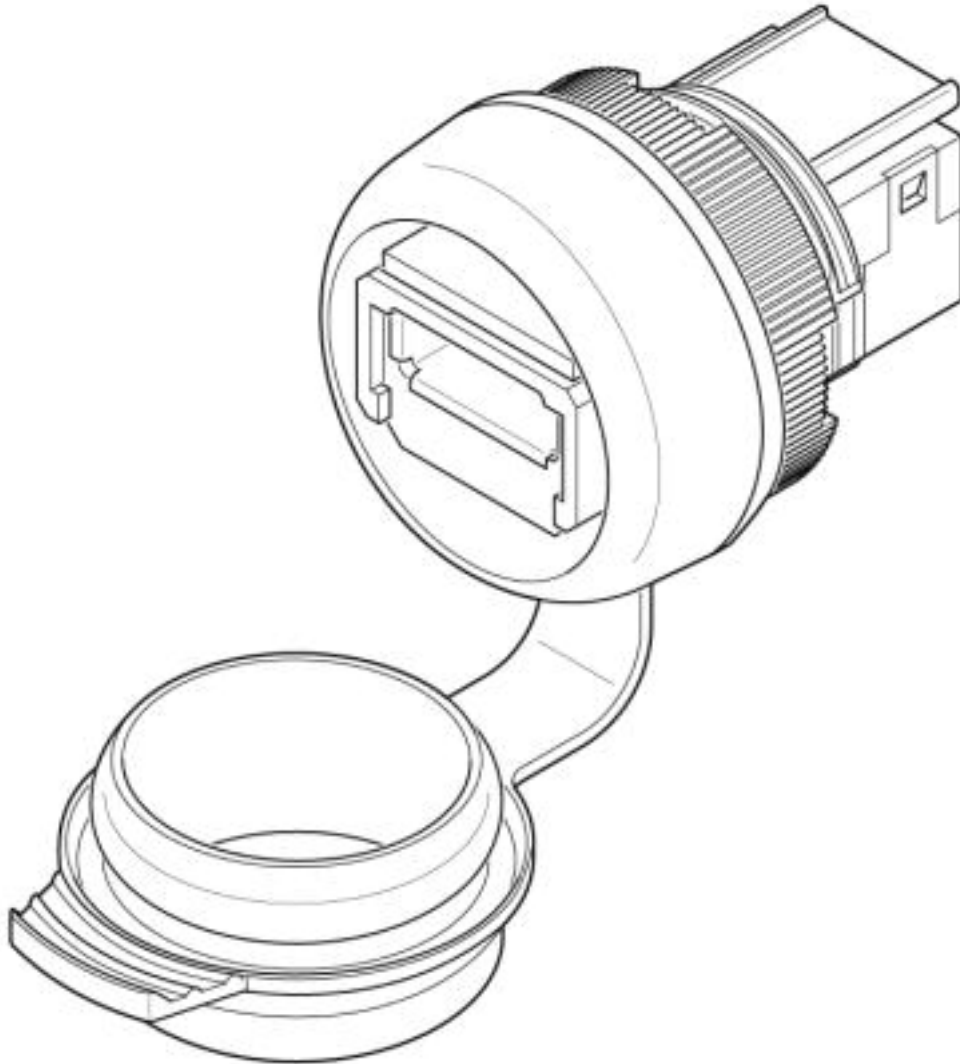
Dimensional drawing



Mounting cutout

Data interface - SI-RND-U1A - 1425185

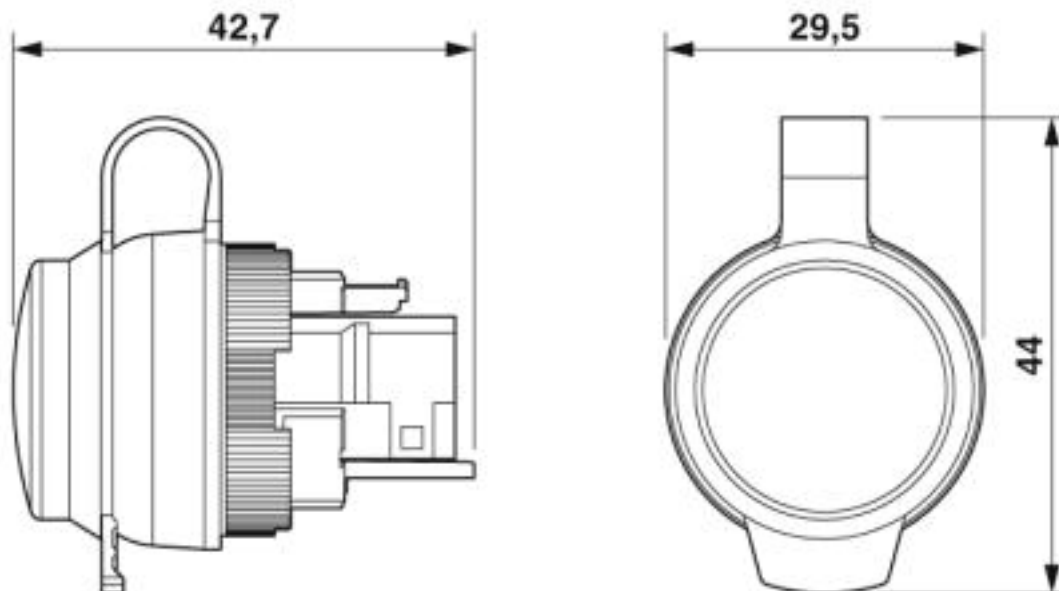
Schematic diagram



Schematic drawing 1

Data interface - SI-RND-U1A - 1425185

Dimensional drawing



Dimensional drawing

Classifications

eCl@ss

eCl@ss 10.0.1	27182806
eCl@ss 5.0	27189200
eCl@ss 5.1	27189200
eCl@ss 6.0	27189200
eCl@ss 7.0	27189217
eCl@ss 9.0	27189217

ETIM

ETIM 6.0	EC000456
ETIM 7.0	EC000456

Approvals

Approvals

Approvals


UL Listed / cUL Listed / EAC / cULus Listed


Ex Approvals


Data interface - SI-RND-U1A - 1425185

Approvals

Approval details

UL Listed		http://database.ul.com/cgi-bin/XYV/template/LISEXT/1FRAME/index.htm	FILE E 335024
-----------	---	---	---------------

cUL Listed		http://database.ul.com/cgi-bin/XYV/template/LISEXT/1FRAME/index.htm	FILE E 335024
------------	---	---	---------------

EAC			RU C- DE.AI30.B.01102
-----	---	--	--------------------------

cULus Listed			
--------------	---	--	--

Phoenix Contact 2020 © - all rights reserved
<http://www.phoenixcontact.com>

PHOENIX CONTACT GmbH & Co. KG
Flachsmarktstr. 8
32825 Blomberg
Germany
Tel. +49 5235 300
Fax +49 5235 3 41200
<http://www.phoenixcontact.com>