

## FK-MPT 0,5/ 6-ICA-3,5

Order No.: 1930360

The figure shows a 9-pos. version of the product

<http://eshop.phoenixcontact.de/phoenix/treeViewClick.do?UID=1930360>

Header, Nominal current: 3 A, Rated voltage (III/2): 250 V, Number of positions: 6, Pitch: 3.5 mm, Color: Black, Assembly: Soldering, The touch-protected basic strip, serves to accommodate the FK-MPT 0,5 PCB terminal block.

### Commercial data

GTIN (EAN)	
Note	Made-to-order
sales group	E431
Pack	50 pcs.
Customs tariff	85366990
Catalog page information	Page 510 (CC-2011)

### Product notes

WEEE/RoHS-compliant since:  
01/01/2003

<http://www.download.phoenixcontact.com>  
Please note that the data given here has been taken from the online catalog. For comprehensive information and data, please refer to the user documentation. The General Terms and Conditions of Use apply to Internet downloads.

### Technical data

#### Dimensions / positions

Length	8.8 mm
Pitch	3.5 mm
Dimension a	17.5 mm

Number of positions	6
Pin dimensions	0,3 x 0,9 mm
Hole diameter	1 mm

#### Technical data

Range of articles	FK-MPT 0,5/..-ICA
Insulating material group	IIIa
Rated surge voltage (III/3)	2.5 kV
Rated surge voltage (III/2)	2.5 kV
Rated surge voltage (II/2)	2.5 kV
Rated voltage (III/2)	250 V
Rated voltage (II/2)	250 V
Connection in acc. with standard	EN-VDE
Nominal current $I_N$	3 A
Nominal voltage $U_N$	160 V
Maximum load current	3 A
Insulating material	PA
Inflammability class acc. to UL 94	V0
Color	Black
Nominal voltage, UL/CUL Use Group B	300 V
Nominal current, UL/CUL Use Group B	4 A
Nominal voltage, UL/CUL Use Group D	300 V
Nominal current, UL/CUL Use Group D	4 A

#### Certificates / Approvals

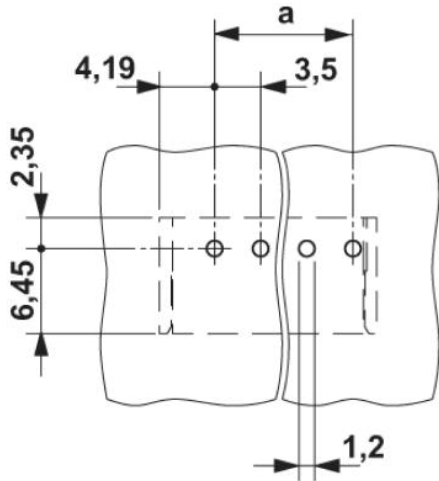


Certification

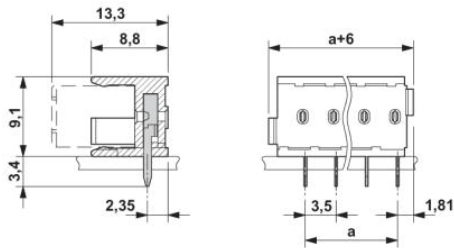
CCA, CUL, GOST, SEV, UL

## Diagrams/Drawings

Drilling plan/solder pad geometry



Dimensioned drawing



**Address**

PHOENIX CONTACT Inc., USA  
586 Fulling Mill Road  
Middletown, PA 17057, USA  
Phone (800) 888-7388  
Fax (717) 944-1625  
<http://www.phoenixcon.com>



© 2011 Phoenix Contact  
Technical modifications reserved;