

## Cable clamp - WCC 30 - 3240256

Please be informed that the data shown in this PDF Document is generated from our Online Catalog. Please find the complete data in the user's documentation. Our General Terms of Use for Downloads are valid (<http://phoenixcontact.com/download>)




Cable clamp, for DIN rails

### Your advantages

- ✓ Individual or bundled cables with a diameter of up to 30 mm can be installed safely and easily
- ✓ The halogen-free plastic troughs have been designed to be perfectly secure while simultaneously protecting the conductors
- ✓ The cable clamps provide strain relief

RoHS

### Key Commercial Data

Packing unit	25 pc
GTIN	 4 046356 464482
GTIN	4046356464482

### Technical data

#### Dimensions

Cable diameter	26 mm ... 30 mm
----------------	-----------------

#### General

Material	Steel
Coating	galvanized

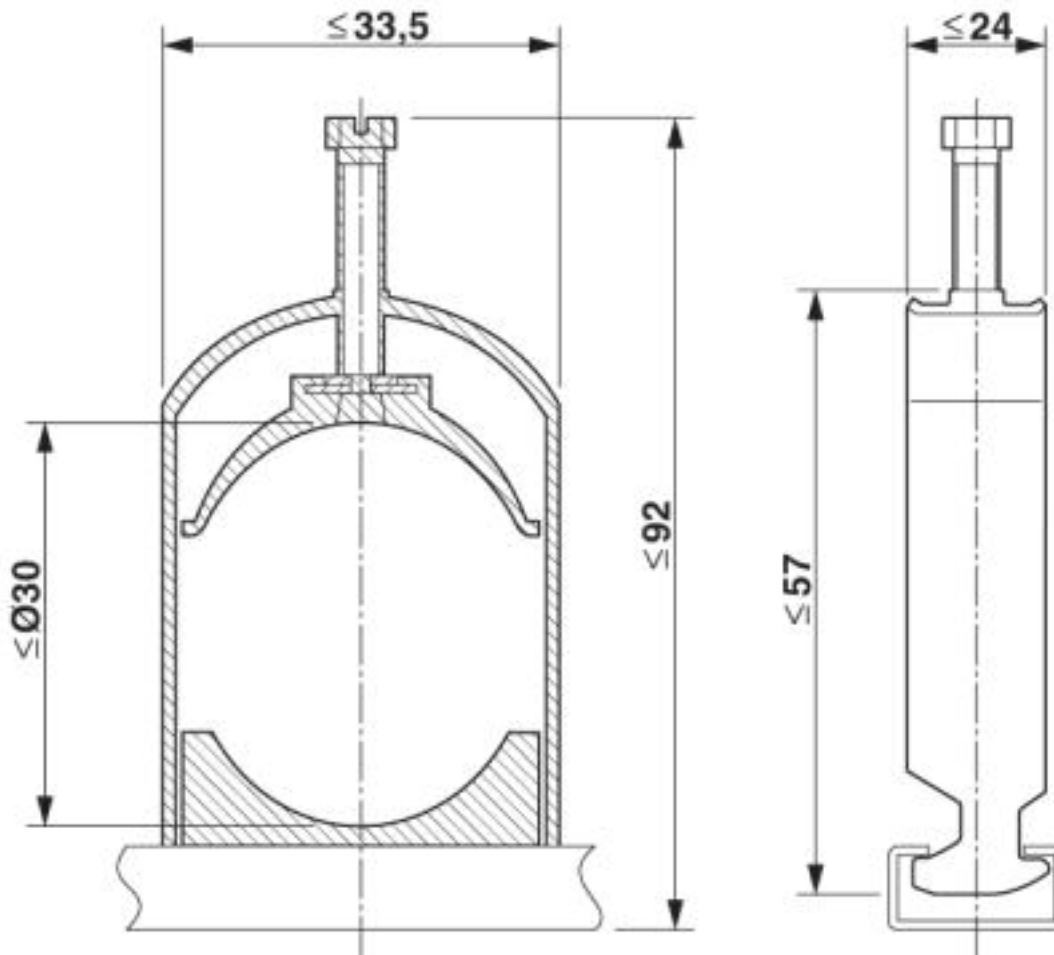
#### Environmental Product Compliance

China RoHS	Environmentally friendly use period: unlimited = EFUP-e
	No hazardous substances above threshold values

### Drawings

# Cable clamp - WCC 30 - 3240256

Dimensional drawing



## Classifications

eCl@ss

eCl@ss 10.0.1	23159090
eCl@ss 4.0	23140300
eCl@ss 4.1	23140300
eCl@ss 5.0	23140300
eCl@ss 5.1	23140300
eCl@ss 6.0	23140300
eCl@ss 7.0	23140390
eCl@ss 8.0	23140390
eCl@ss 9.0	23159090

ETIM

ETIM 2.0	EC000897
ETIM 3.0	EC000897

## Cable clamp - WCC 30 - 3240256

### Classifications

#### ETIM

ETIM 4.0	EC000441
ETIM 5.0	EC000454
ETIM 6.0	EC000454
ETIM 7.0	EC000454

#### UNSPSC

UNSPSC 6.01	30211811
UNSPSC 7.0901	39121410
UNSPSC 11	39121410
UNSPSC 12.01	39121410
UNSPSC 13.2	31162906
UNSPSC 18.0	31162906
UNSPSC 19.0	31162906
UNSPSC 20.0	31162906
UNSPSC 21.0	31162906

### Accessories

#### Accessories

##### DIN rail

DIN rail perforated - NS 30/15 PERF.2000MM - 3240262



DIN rail perforated, C profile, width: 30 mm, height: 15 mm, similar to EN 60715, material: Steel, galvanized, length: 2000 mm

Phoenix Contact 2020 © - all rights reserved  
<http://www.phoenixcontact.com>

PHOENIX CONTACT GmbH & Co. KG  
Flachsmarktstr. 8  
32825 Blomberg  
Germany  
Tel. +49 5235 300  
Fax +49 5235 3 41200  
<http://www.phoenixcontact.com>