

**PE4140**

**Ultra-High Linearity UltraCMOS™  
Broadband Quad MOSFET Array**

**Features**

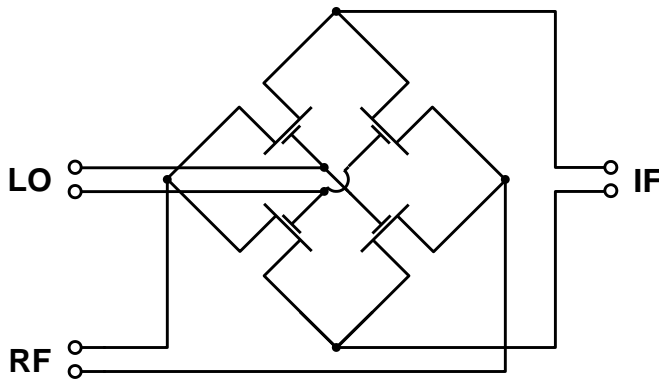
- Ultimate Quad MOSFET array
- Ultra-high linearity, broadband performance beyond 6.0 GHz
- Ideal for mixer applications
- Up/down conversion
- Low conversion loss
- High LO Isolation
- Packaged in small 6-lead 3x3 mm DFN

**Product Description**

The PE4140 is an ultra-high linearity passive broadband Quad MOSFET array with high dynamic range performance capable of operation beyond 6.0 GHz. This quad array operates with differential signals at all ports (RF, LO, IF), allowing mixers to be built that use LO powers from -7 dBm to +20 dBm. Typical applications range from frequency up/down-conversion to phase detection for Cellular/PCS Base Stations, Wireless Broadband Communications and STB/Cable modems.

The PE4140 is manufactured on Peregrine's UltraCMOS™ process, a patented variation of silicon-on-insulator (SOI) technology on a sapphire substrate, offering the performance of GaAs with the economy and integration of conventional CMOS.

**Figure 1. Functional Diagram**



**Figure 2. Package Type**

6-lead DFN

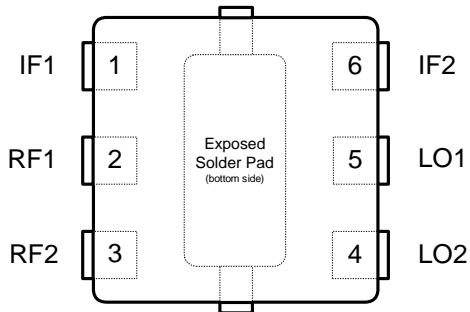


**Table 1. AC and DC Electrical Specifications @ +25 °C**

Symbol	Characteristics	Test Conditions	Min	Typ	Max	Units
F <sub>TYP</sub>	Operating Frequency Range <sup>1</sup>		DC		6.0	GHz
V <sub>DS</sub>	Drain-Source Voltage	V <sub>GS</sub> = +3V, I <sub>DS</sub> = 40 mA	260	320	380	mV
V <sub>DS Match</sub>	Drain-Source Voltage Match			12	40	mV
V <sub>T</sub>	Threshold Voltage	V <sub>DS</sub> = 0.1V; per ASTM F617-00		-100		mV
R <sub>DS</sub>	Drain-Source 'ON' Resistance	V <sub>GS</sub> = +3V, I <sub>DS</sub> = 40 mA	6.5	7.75	9.5	Ω

Note 1: Typical untested operating frequency range of Quad MOSFET transistors.

**Figure 3. Pin Configuration (Top View)**



**Table 2. Pin Descriptions**

Pin No.	Pin Name	Description
1	IF1	IF Output Connection (Drain)
2	RF1	RF Input Connection (Source)
3	RF2	RF Input Connection (Source)
4	LO2	LO Input Connection (Gate)
5	LO1	LO Input Connection (Gate)
6	IF2	IF Output Connection (Drain)

**Table 3. Absolute Maximum Ratings**

Symbol	Parameters/Conditions	Min	Max	Units
$T_{ST}$	Storage temperature range	-65	150	°C
$T_{OP}$	Operating temperature range	-40	85	°C
$V_{DC+AC}$	Maximum DC plus peak AC voltage across Drain-Source		±3.3	V
$V_{DC+AC}$	Maximum DC plus peak AC voltage across Gate-Drain or Gate-Source		±4.2	V
$V_{ESD}$	HBM <sup>1</sup> ESD Voltage		100	V

Note 1: ML\_STD 883 Method 3015.7

Exceeding absolute maximum ratings may cause permanent damage. Operation should be restricted to the limits in the Operating Ranges table. Operation between operating range maximum and absolute maximum for extended periods may reduce reliability.

### Electrostatic Discharge (ESD) Precautions

This MOSFET device has minimally protected inputs and is highly susceptible to ESD damage. When handling this UltraCMOS™ device, observe the same precautions that you would use with other ESD-sensitive devices.

### Latch-Up Avoidance

Unlike conventional CMOS devices, UltraCMOS™ devices are immune to latch-up.

### Device Description

The PE4140 passive broadband Quad MOSFET array is designed for use in up-conversion and down-conversion applications for high performance systems such as cellular infrastructure equipment and STB/CATV systems.

The PE4140 is an ideal mixer core for a wide range of mixer products, including module level solutions that incorporate baluns or other single-ended matching structures enabling three-port operation.

The performance level of this passive mixer is made possible by the very high linearity afforded by Peregrine's UltraCMOS™ process.

### Marking

Packaged devices are marked with part number "4140", date code and lot code.

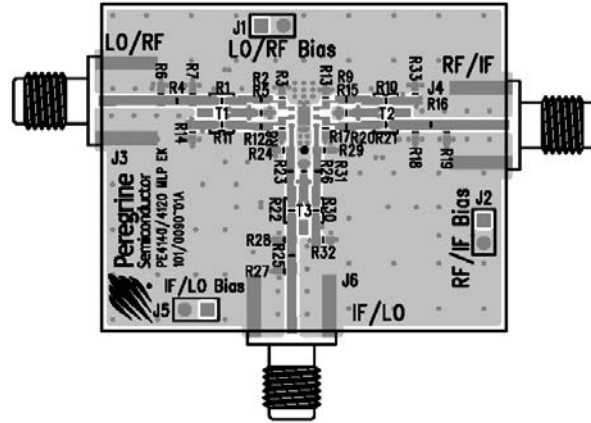
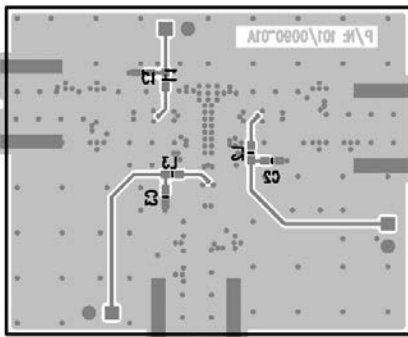
### Moisture Sensitivity Level

The Moisture Sensitivity Level rating for the PE4140 in the 6-lead 3x3 DFN package is MSL1.

## Evaluation Kit

Figure 4. Evaluation Board Layout

Peregrine Specification 101/0090



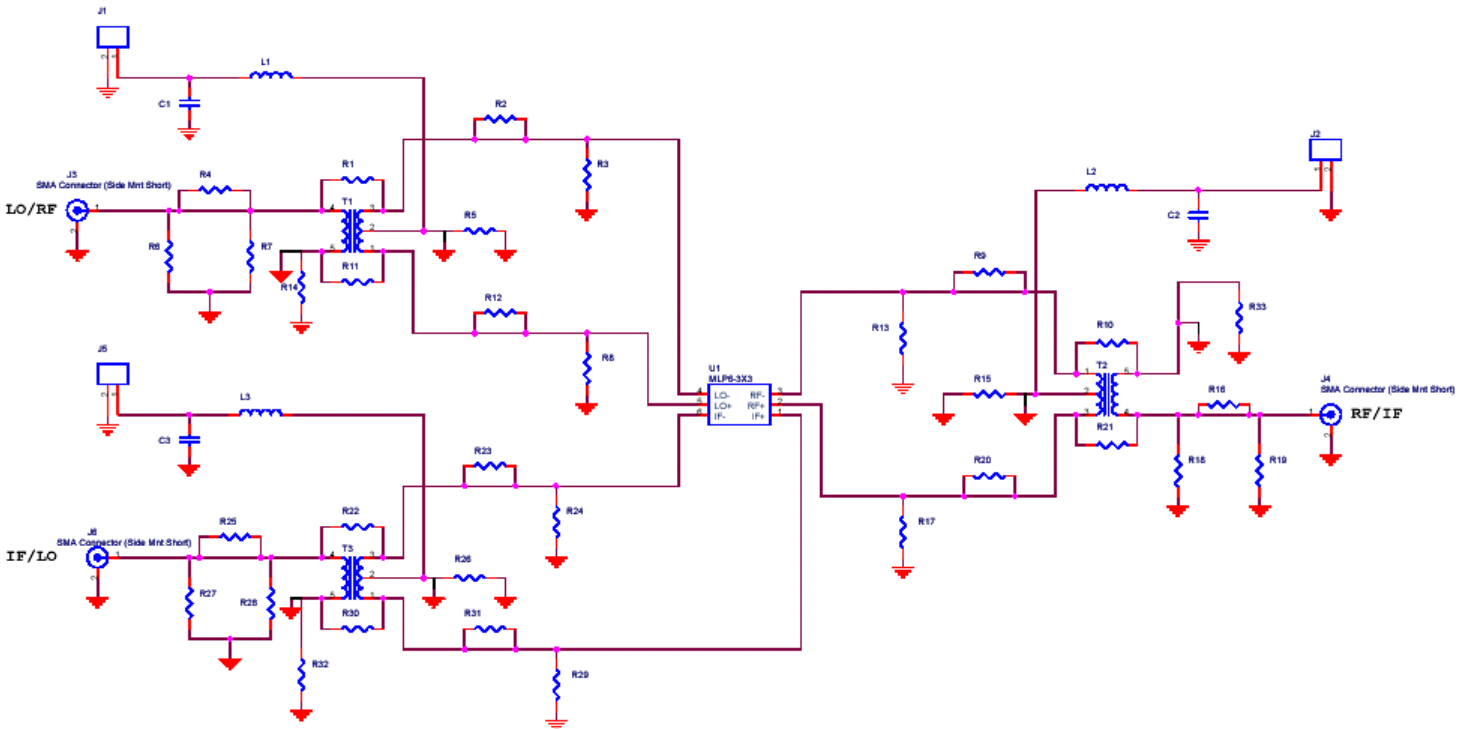
## Applications Support

If you have a problem with your evaluation kit or if you have applications questions, please contact applications support:

E-Mail: [help@psemi.com](mailto:help@psemi.com) (fastest response)  
Phone: (858) 731-9400

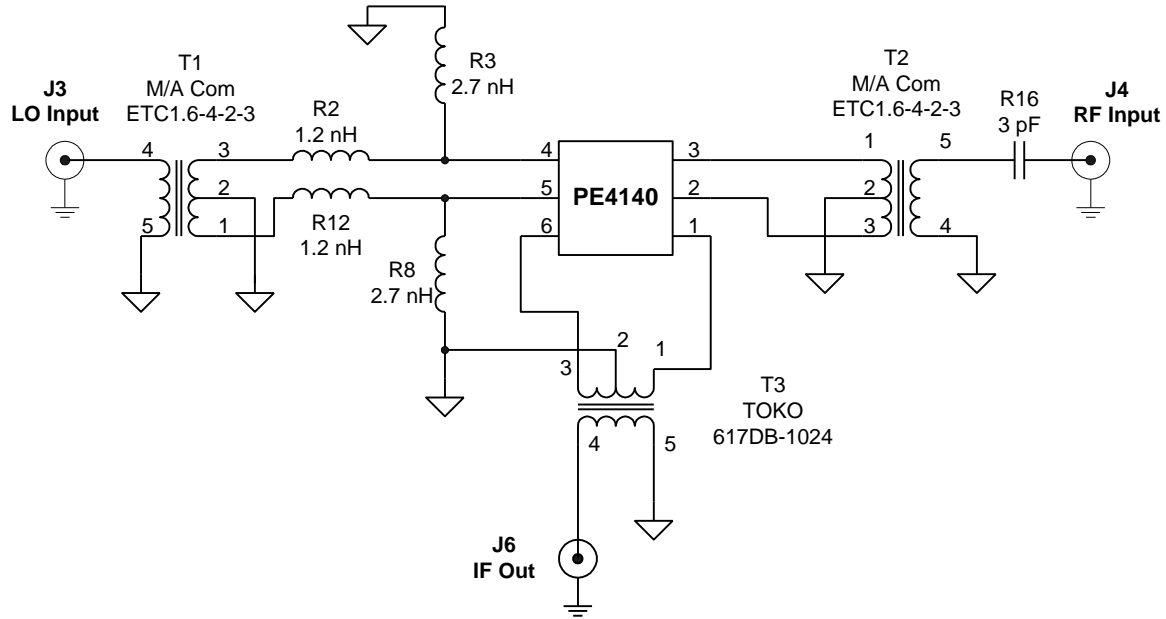
Figure 5. Evaluation Board Schematic

Peregrine Specification 102/0115



**Note:** This is the complete evaluation board schematic; which can be used for multiple configurations. Not all components need be populated. Refer to 'typical schematics' on following pages.

**Figure 6. Typical Schematic for a PCS Application**



**Table 4. Typical Performance in a PCS Application @ +25 °C**

Parameter	Minimum	Typical	Maximum	Units
Frequency Range**				
LO	1630	--	2130	MHz
RF	1700	--	2200	MHz
IF		70		MHz
Conversion Loss** (Includes balun losses)		8.5		dB
Isolation**				
LO-RF		36		dB
LO-IF		26		dB
Input IP3**		32		dBm
Input 1 dB Compression**		22		dBm

\*\* Data taken on an Evaluation Board narrow-band tuned to cover the PCS band, IF = 73MHz low-side, LO drive = 17dBm.

Typical Performance Plots in a PCS Application @ +25 °C (LO=17 dBm, IF=73 MHz Low-side)

Figure 7. IIP3 vs. Frequency

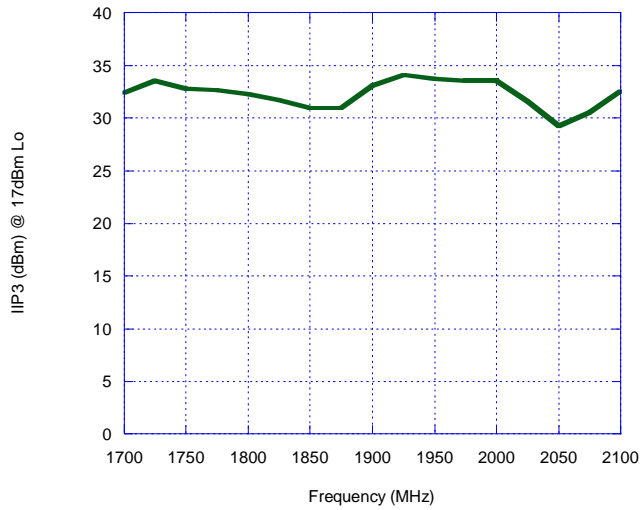


Figure 8. Conversion Loss vs. Frequency

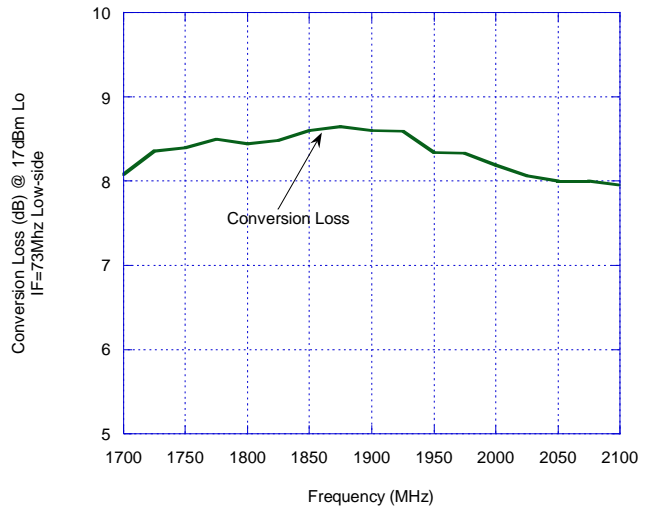
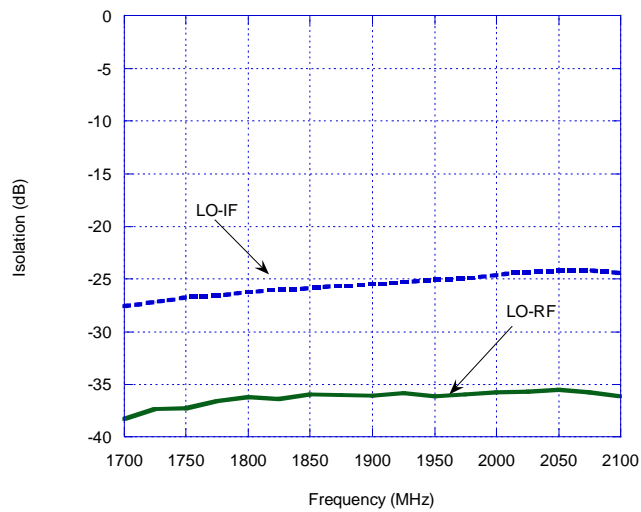
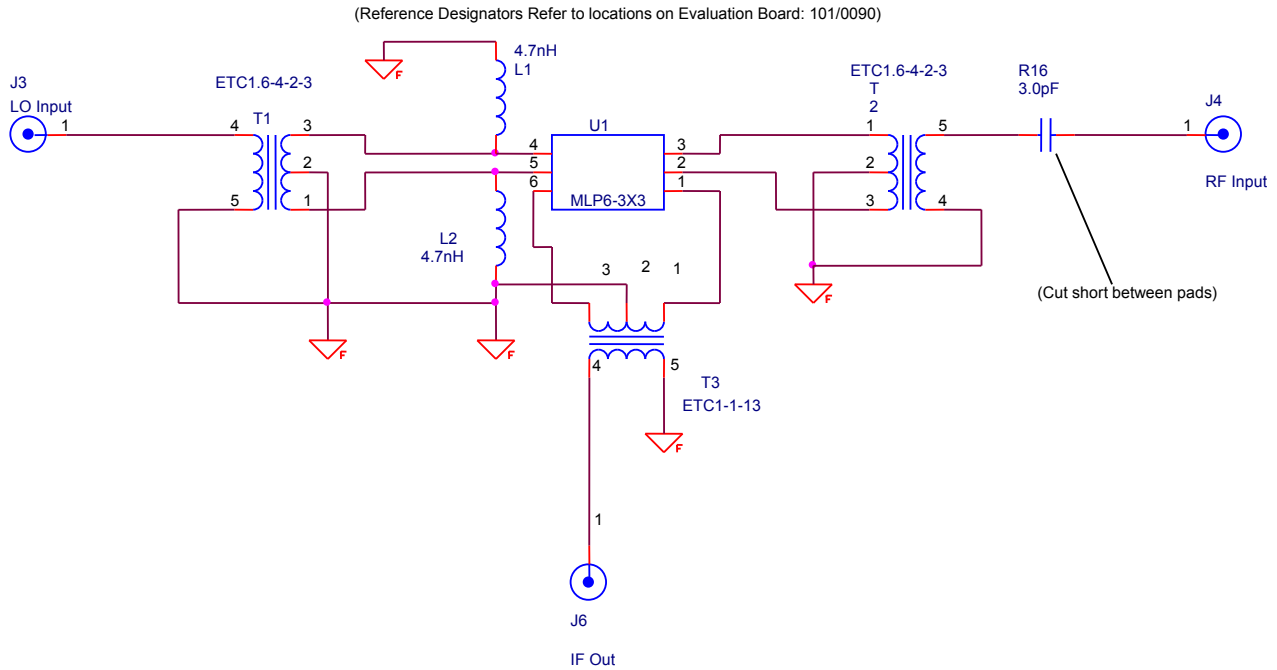


Figure 9. LO-RF & LO-IF Isolation



**Figure 10. Typical Schematic for a CATV Application**



Note: L1 and L2 provide LO port matching for optimum performance. Typical gate capacitance is approximately 2.5 pF.

**Table 5. Typical Performance in a CATV Application @ +25 °C**

Parameter	Minimum	Typical	Maximum	Units
Frequency Range**				
LO	1116	--	1926	MHz
RF	54	--	864	MHz
IF		1062		MHz
Conversion Loss** (Includes balun losses)		6.5		dB
Isolation**				
LO-RF		40		dB
LO-IF		28		dB
Input IP3**		23		dBm
Input 1 dB Compression**		13		dBm

\*\* Data taken on an Evaluation Board tuned for a broadband CATV application, IF = 1062 MHz, RF drive = -5 dBm, LO drive = 10 dBm.

### Typical Performance Plots in a CATV Application @ +25 °C

Figure 11. IIP3 vs. Frequency

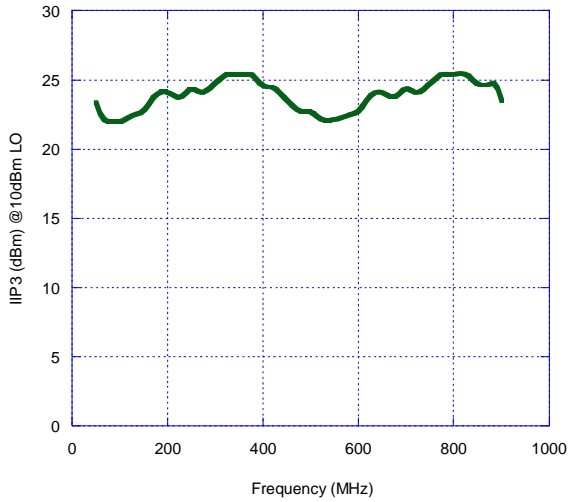


Figure 12. Conversion Loss vs. Frequency

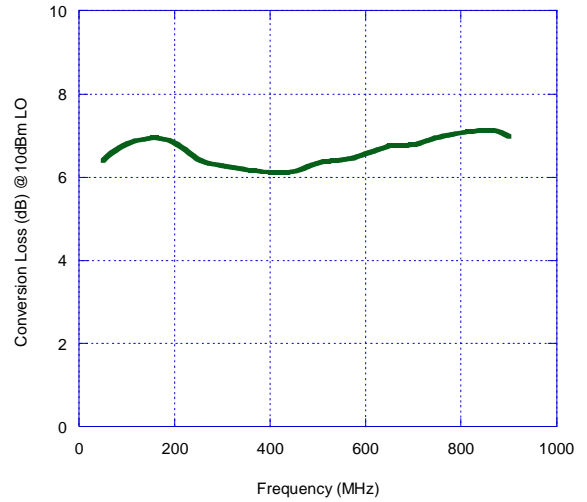
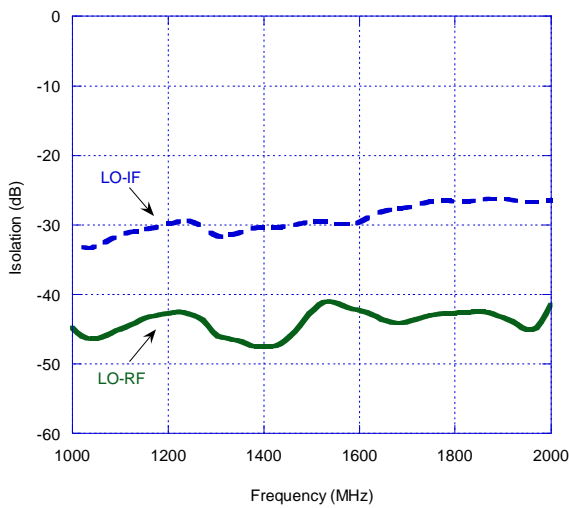
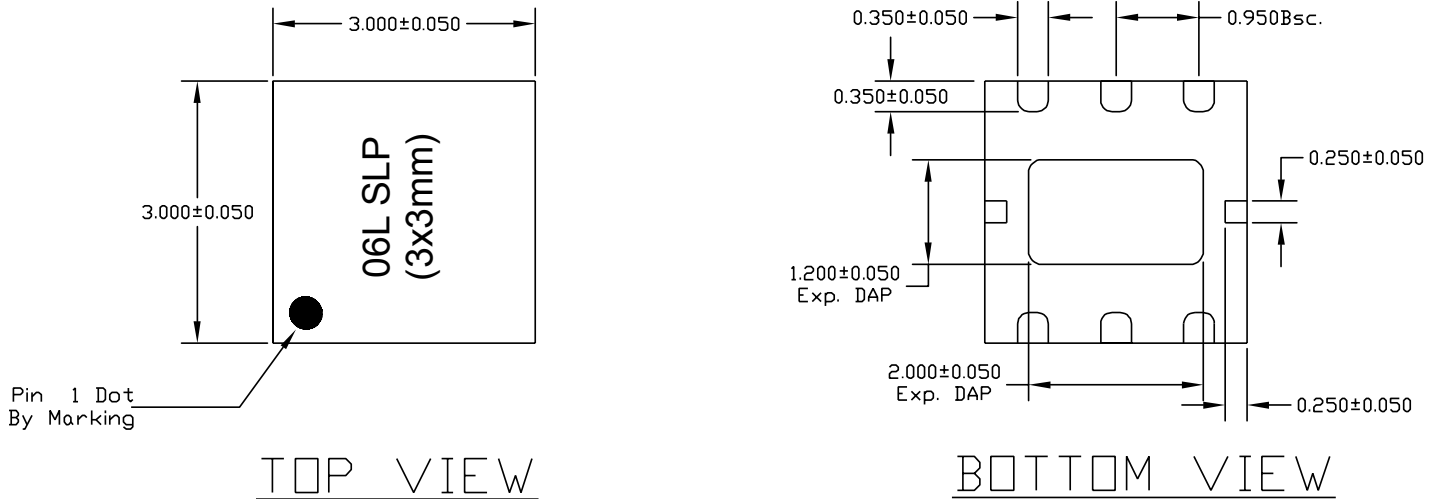


Figure 13. LO-RF & LO-IF Isolation



**Figure 14. Package Drawing**

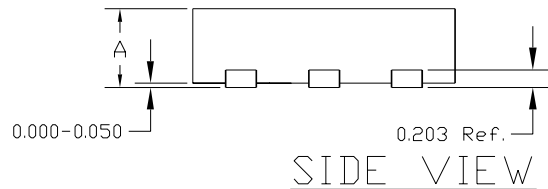
6-lead DFN



**NOTE:**

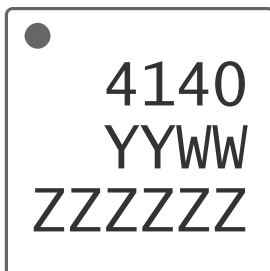
1) TSLP AND SLP SHARE THE SAME EXPOSE OUTLINE BUT WITH DIFFERENT THICKNESS:

		TSLP	SLP
A	MAX.	0.800	0.900
	NOM.	0.750	0.850
	MIN.	0.700	0.800



NOTE: The exposed solder pad (on the bottom of the package) is not electrically connected to any other pin (isolated).

**Figure 15. Marking Specifications**

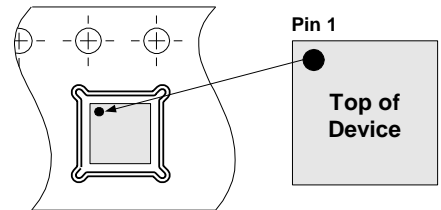
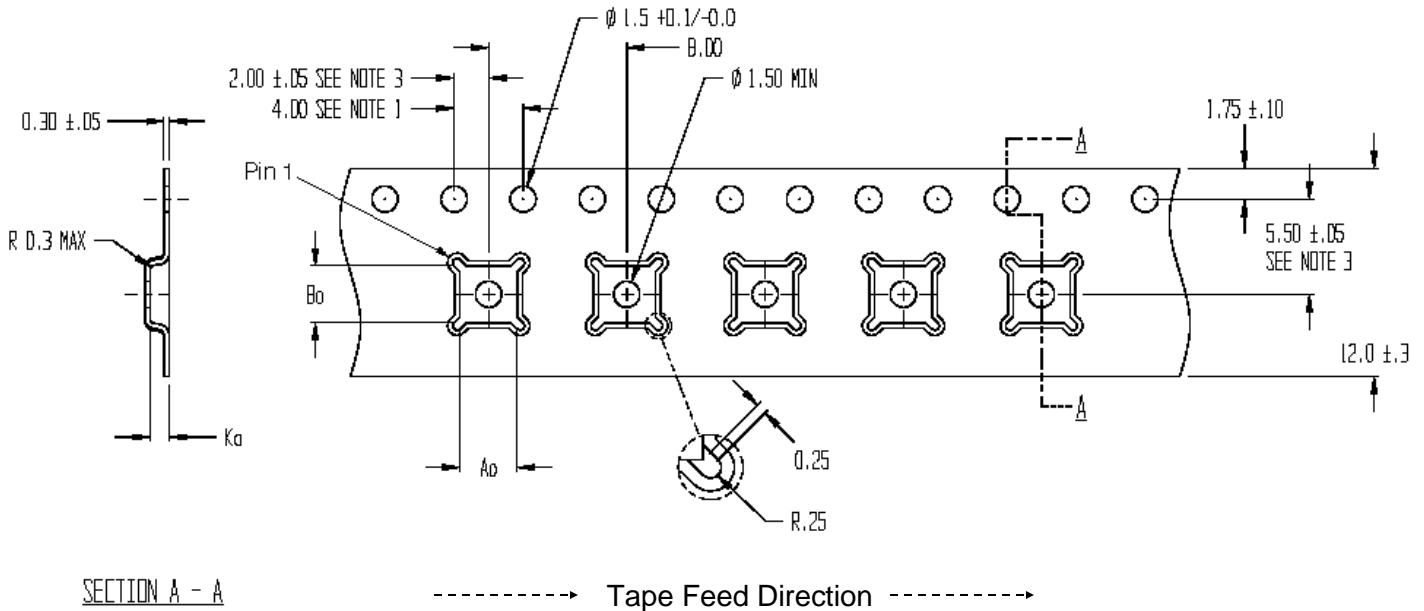


- = Pin 1 indicator
- YY = Last two digits of assembly year
- WW = Assembly work week
- ZZZZZZ = Assembly lot code (maximum six characters)



**Figure 16. Tape and Reel Specifications**

6-lead DFN



**Table 6. Dimensions**

Dimension	DFN 3x3 mm
Ao	3.23 ± 0.1
Bo	3.17 ± 0.1
Ko	1.37 ± 0.1
P	4 ± 0.1
W	8 +0.3, -0.1
T	0.254 ± 0.02
R7 Quantity	3000
R13 Quantity	N.A.

Note: R7 = 7 inch Lock Reel, R13 = 13 inch Lock Reel

NOTES:

1. 10 SPROCKET HOLE PITCH CUMULATIVE TOLERANCE ±0.2
2. CAMBER IN COMPLIANCE WITH EIA 481
3. POCKET POSITION RELATIVE TO SPROCKET HOLE MEASURED AS TRUE POSITION OF POCKET, NOT POCKET HOLE

**Table 7. Ordering Information**

Order Code	Part Marking	Description	Package	Shipping Method
4140-52	4140	PE4140G-06DFN 3x3mm-3000C	Green 6-lead 3x3 mm DFN	3000 units / T&R
PE4140B-z	4140	PE4140G-06DFN 3x3mm-3000C	Green 6-lead 3x3 mm DFN	3000 units / T&R
4140-00	PE4140-EK	PE4140-06DFN 3x3mm-EK	Evaluation Kit	1 / Box
EK4140-01	PE4140-EK	PE4140-06DFN 3x3mm-EK	Evaluation Kit	1 / Box

## Sales Offices

### *The Americas*

#### **pSemi Corporation**

9380 Carroll Park Drive  
San Diego, CA 92121  
Tel: 858-731-9400  
Fax: 858-731-9499

### *Europe*

#### **pSemi Europe**

Bâtiment Maine  
13-15 rue des Quatre Vents  
F-92380 Garches, France  
Tel: +33-1-4741-9173  
Fax : +33-1-4741-9173

## High-Reliability and Defense Products

### *Americas*

San Diego, CA, USA  
Phone: 858-731-9475  
Fax: 848-731-9499

### *Europe/Asia-Pacific*

Aix-En-Provence Cedex 3, France  
Phone: +33-4-4239-3361  
Fax: +33-4-4239-7227

For a list of representatives in your area, please refer to our Web site at: [www.psemi.com](http://www.psemi.com)

## Sales Contact and Information

For additional information, contact Sales at [sales@psemi.com](mailto:sales@psemi.com).

**Advance Information:** The product is in a formative or design stage. The datasheet contains design target specifications for product development. Specifications and features may change in any manner without notice. **Preliminary Specification:** The datasheet contains preliminary data. Additional data may be added at a later date. Peregrine reserves the right to change specifications at any time without notice in order to supply the best possible product. **Product Specification:** The datasheet contains final data. In the event Peregrine decides to change the specifications, Peregrine will notify customers of the intended changes by issuing a CNF (Customer Notification Form).  
The information in this document is believed to be reliable. However, Peregrine assumes no liability for the use of this information. Use shall be entirely at the user's own risk.

No patent rights or licenses to any circuits described in this document are implied or granted to any third party. pSemi's products are not designed or intended for use in devices or systems intended for surgical implant, or in other applications intended to support or sustain life, or in any application in which the failure of the pSemi product could create a situation in which personal injury or death might occur. pSemi assumes no liability for damages, including consequential or incidental damages, arising out of the use of its products in such applications.

The Peregrine Semiconductor name, Peregrine Semiconductor logo and UltraCMOS are registered trademarks and the pSemi name, pSemi logo, HaRP and DuNE are trademarks of pSemi Corporation in the U.S. and other countries.  
pSemi products are protected under one or more of the following U.S. patents: [patents.psemi.com](http://patents.psemi.com).